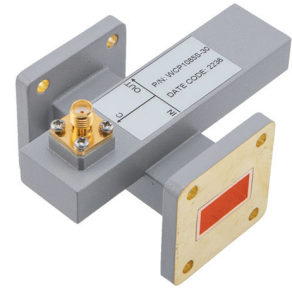


## 30 dB WR-75 Waveguide Crossguide Coupler with UG Cover Flange and SMA Female Coupled Port from 9.84 GHz to 15 GHz in Brass

The FMWCP1085S-30 is a 30 dB WR-75 three port crossguide coupler with integrated SMA Female connector for the coupled port. This coupler can be mounted directly into the waveguide signal path, connected via coax to allow signal sampling /monitoring. The coupler has a typical VSWR of 1.1:1 and are made of Brass with UG Cover flanges. The FMWCP1085S-30 is part of a family of cross guide couplers offered by Fairview Microwave with coupling values ranging from 20 to 50 dB.



### Electrical Specifications

Description	Min	Typ	Max	Units
Frequency Range	9.84		15	GHz
<b>Coupler</b>				
Nominal Coupling Level		30		dB
Coupling Accuracy			±1.5	dB
Directivity	18			dB
Insertion Loss		0.1		dB
Main Line VSWR			1.1:1	
Secondary Line VSWR			1.25:1	
Input Power (CW)			500	Watts
Input Power Peak			180	kWatts

### Mechanical Specifications

<b>Size</b>	
Length	3.268 in [83.01 mm]
Width	2.362 in [59.99 mm]
Height	2 in [50.8 mm]
Weight	0.529 lbs [239.95 g]
<b>Interface</b>	
Waveguide Size	WR-75
Flange Type	UG Cover
RF Connector Type	SMA Female
Coupler Body Material and Plating	Brass Copper, Passivated

### Environmental Specifications

**Compliance Certifications** (see [product page](#) for current document)

### Plotted and Other Data

Notes:

### Features:

- Three Port Crossguide Waveguide Coupler
- 30±1.5 dB Nominal Coupling Level
- Integrated SMA Female Connector for the coupled port
- 9.84 GHz to 15 GHz Frequency Range
- Low VSWR < 1.25:1

### Applications:

- Test Benches
- Radar
- Satellite
- Microwave Radio
- Attenuation Measurements
- Power Measurements
- Source Leveling

Fairview Microwave  
 301 Leora Ln., Suite 100  
 Lewisville, TX 75056  
 Tel: 1-800-715-4396 / (972) 649-6678  
 Fax: (972) 649-6689  
[www.fairviewmicrowave.com](http://www.fairviewmicrowave.com)  
[sales@fairviewmicrowave.com](mailto:sales@fairviewmicrowave.com)

30 dB WR-75 Waveguide Crossguide Coupler with UG Cover Flange and SMA Female Coupled Port from 9.84 GHz to 15 GHz in Brass from Fairview Microwave is in-stock and available to ship same-day. All of our RF/microwave products are available off-the-shelf from our ISO 9001:2008 certified facilities in Lewisville, Texas. Fairview Microwave is RF on-demand.

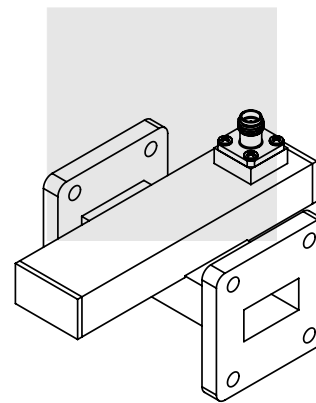
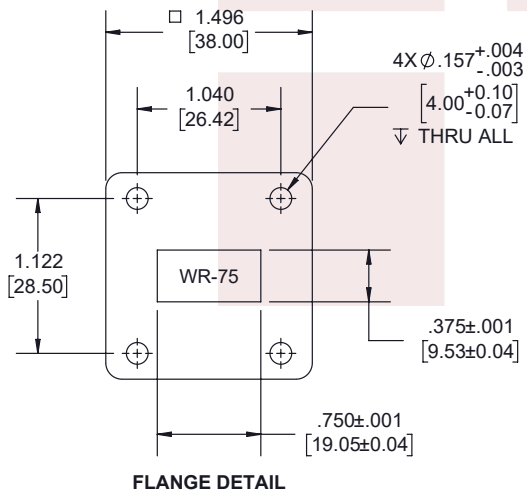
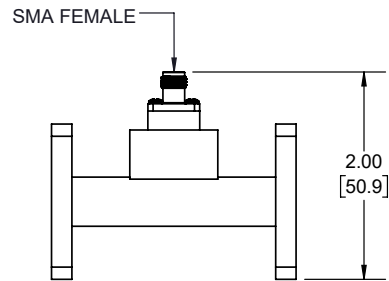
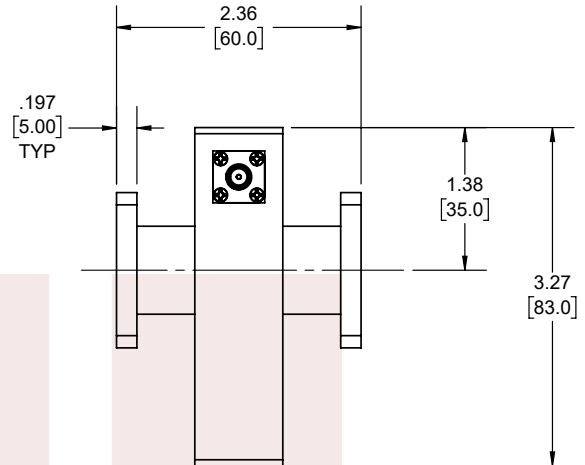
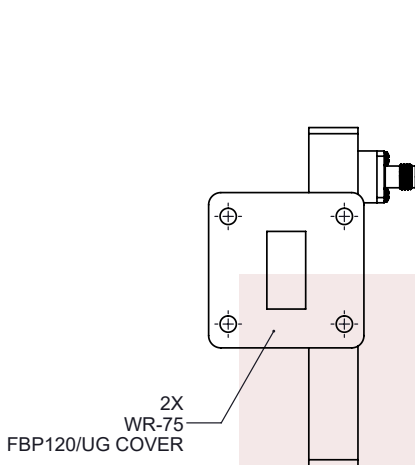
For additional information on this product, please click the following link: [30 dB WR-75 Waveguide Crossguide Coupler with UG Cover Flange and SMA Female Coupled Port from 9.84 GHz to 15 GHz in Brass FMWCP1085S-30](#)

URL: <https://www.fairviewmicrowave.com/30-db-wr-75-waveguide-crossguide-coupler-fmwcp1085S-30-p.aspx>

The information contained in this document is accurate to the best of our knowledge and representative of the part described herein. It may be necessary to make modifications to the part and/or the documentation of the part, in order to implement improvements. Fairview Microwave reserves the right to make such changes as required. Unless otherwise stated, all specifications are nominal. Fairview Microwave does not make any representation or warranty regarding the suitability of the part described herein for any particular purpose, and Fairview Microwave does not assume any liability arising out of the use of any part or documentation.



REVISIONS			
REV.	DESCRIPTION	DATE	APPROVED
A	INITIAL RELEASE	7/7/2022	S. PONG



THESE COMMODITIES, TECHNOLOGY OR SOFTWARE WERE EXPORTED FROM THE UNITED STATES IN ACCORDANCE WITH THE EXPORT ADMINISTRATION REGULATIONS. DIVERSION CONTRARY TO U.S. LAW PROHIBITED.

TITLE  
30 dB WR-75 Waveguide Crossguide Coupler with UG Cover Flange and SMA Female Coupled Port from 9.84 GHz to 15 GHz in Brass

UNLESS OTHERWISE SPECIFIED LEADING DIMENSIONS ARE INCHES  
DIMENSIONS IN [ ] ARE MILLIMETERS

TOLERANCES:		CABLE LENGTH (L) TOLERANCES:	
.X = ±.2 [5.08]	FRACTIONS ± 1/32	L ≤ 12 [305] = +1 [25] / -0	
.XX = ±.02 [.51]	ANGLES ± 1°	12 [305] < L ≤ 60 [1524] = +2 [51] / -0	
.XXX = ±.005 [.13]		60 [1524] < L ≤ 120 [3048] = +4 [102] / -0	
		120 [3048] < L ≤ 300 [7620] = +6 [152] / -0	
		300 [7620] < L = +5%L / -0	

THIRD-ANGLE PROJECTION  
THE INFORMATION AND DESIGN IN THIS DOCUMENT IS THE PROPERTY OF FAIRVIEW MICROWAVE CORPORATION. ALL RIGHTS RESERVED.

SHEET 1 OF 1

ALL DIMENSIONS SHOWN ARE FOR REFERENCE ONLY.

SCALE N/A

SIZE A	CAGE CODE 3FKR5	DRAWN BY K.DANG	ITEM NO. FMWCP1085S-30	REV A
-----------	--------------------	--------------------	---------------------------	----------

T-Rev.D