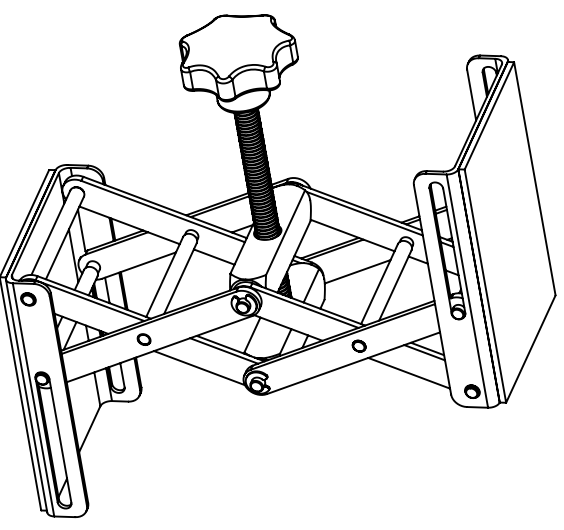
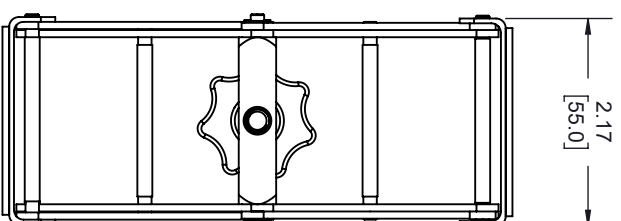
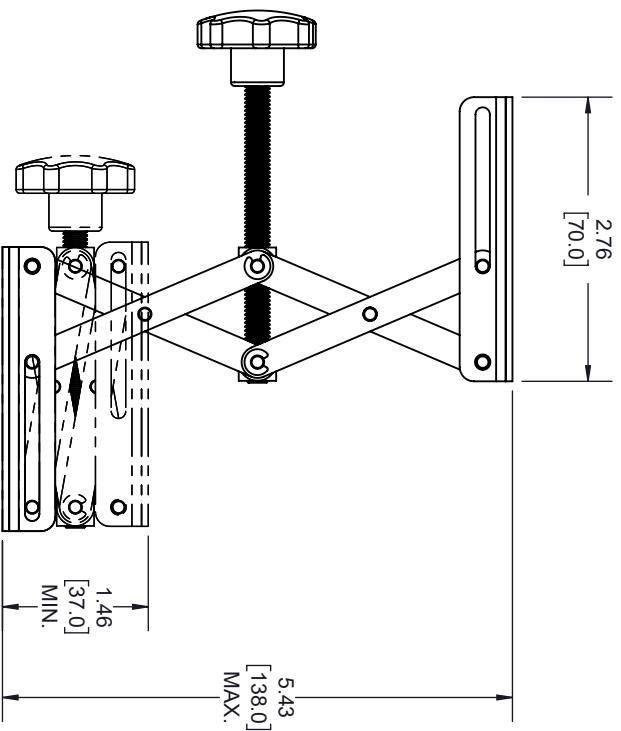


| REVISIONS |                |           |          |
|-----------|----------------|-----------|----------|
| REV.      | DESCRIPTION    | DATE      | APPROVED |
| A         | PCR FMWGHW1001 | 12/7/2020 | S. ELLIS |



- NOTES:
- LOAD BEARING CAPACITY OF 40 KG.

THESE COMMODITIES, TECHNOLOGY OR SOFTWARE WERE EXPORTED FROM THE UNITED STATES IN ACCORDANCE WITH THE EXPORT ADMINISTRATION REGULATIONS, DIVERSION CONTRARY TO U.S. LAW PROHIBITED.



TITLE

|  |           |   |            |   |  |
|--|-----------|---|------------|---|--|
| UNLESS OTHERWISE SPECIFIED LEADING DIMENSIONS ARE INCHES |           |   |            | THIRD-ANGLE PROJECTION  |  |
| DIMENSIONS IN [ ] ARE MILLIMETERS                        |           |   |            |   |  |
| TOLERANCES:  |           |   |            | THE INFORMATION AND DESIGN IN THIS DOCUMENT IS THE PROPERTY OF FAIRVIEW MICROWAVE CORPORATION. ALL RIGHTS RESERVED. |  |
| FRACTIONS  |           | CABLE LENGTH (L) TOLERANCES:                |            | SCALE   |  |
| X = +.2  | [.008]    | L ± 1/2 [806] = +1 [25] / -0                | N/A        |   |  |
| XX = +.02  | [.51]     | 12 [305] < L ≤ 60 [1524] = +2 [51] / -0     |            |   |  |
| XXX = +.005  | [.13]     | 60 [1524] < L ≤ 120 [3048] = +4 [102] / -0  |            |   |  |
| ANGLES ± 1°  |           | 120 [3048] < L ≤ 300 [7620] = +6 [152] / -0 |            |   |  |
|  |           | 300 [7620] < L = +5%L / -0                  |            |   |  |
| ALL DIMENSIONS SHOWN ARE FOR REFERENCE ONLY.             |           |   |            | SHEET 1 OF 1  |  |
| SIZE   | GAGE CODE | DRAWN BY                                    | ITEM NO.   | REV   |  |
| A  | 3FKR5     | K. Dang                                     | FMWGHW1000 | A   |  |