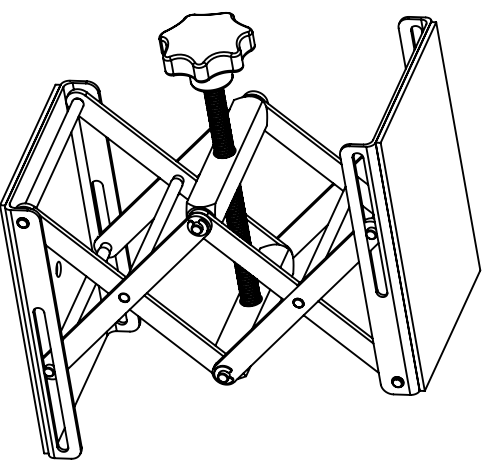
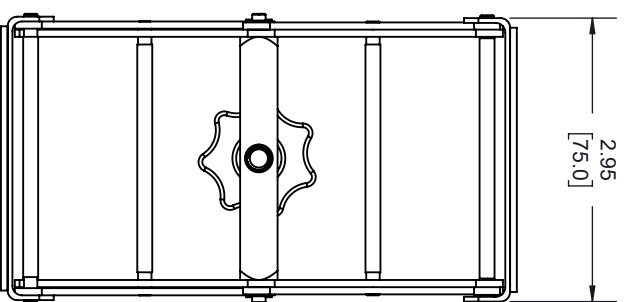
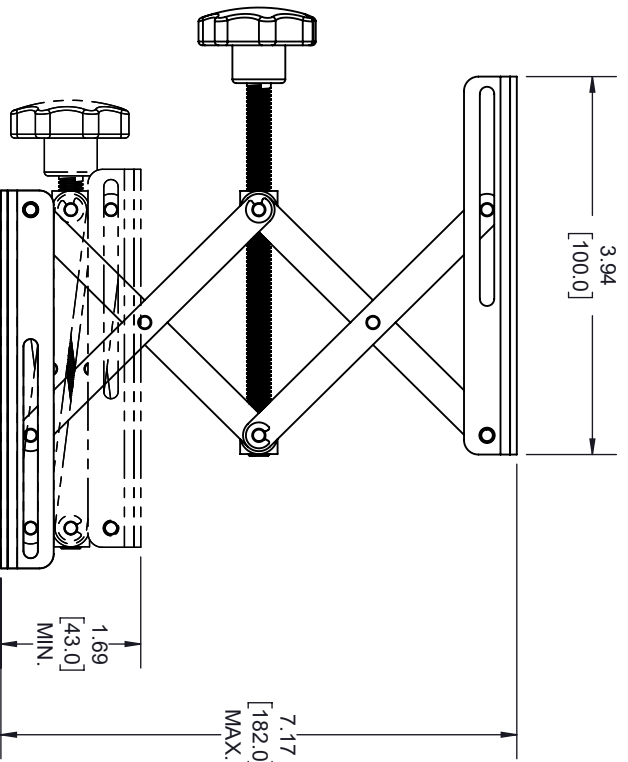


| REVISIONS | | | |
|-----------|----------------|-----------|----------|
| REV. | DESCRIPTION | DATE | APPROVED |
| A | FOR FMWGHW1001 | 12/7/2020 | S. ELLIS |



NOTES:

- LOAD BEARING CAPACITY OF 50 KG.

THESE COMMODITIES, TECHNOLOGY OR SOFTWARE WERE EXPORTED FROM THE UNITED STATES IN ACCORDANCE WITH THE EXPORT ADMINISTRATION REGULATIONS, DIVERSION CONTRARY TO U.S. LAW PROHIBITED.



TITLE

| | | | | | |
|---|-----------|---|------------|---|-----|
| UNLESS OTHERWISE SPECIFIED LEADING DIMENSIONS ARE INCHES DIMENSIONS IN [] ARE MILLIMETERS | | | | THIRD-ANGLE PROJECTION | |
| TOLERANCES: | | | | | |
| CABLE LENGTH (L) TOLERANCES: | | | | THE INFORMATION AND DESIGN IN THIS DOCUMENT IS THE PROPERTY OF FAIRVIEW MICROWAVE CORPORATION. ALL RIGHTS RESERVED. | |
| $X = \pm 2$ [5.08] FRACTIONS $XX = \pm 0.2$ [5.1] ± 1/32 $XXX = \pm 0.05$ [1.3] ANGLES ± 1° | | $L \pm 1/2$ [50.8] = +1 [25.4] / -0 12 [305] < L ≤ 60 [1524] = +2 [51] / -0 60 [1524] < L ≤ 120 [3048] = +4 [102] / -0 120 [3048] < L ≤ 300 [7620] = +6 [152] / -0 300 [7620] < L = +5%L / -0 | | SHEET 1 OF 1 | |
| SIZE | GAGE CODE | DRAWN BY | ITEM NO. | SCALE | REV |
| A | 3FKRS | K. Dang | FMWGHW1001 | N/A | A |
| ALL DIMENSIONS SHOWN ARE FOR REFERENCE ONLY. | | | | | |