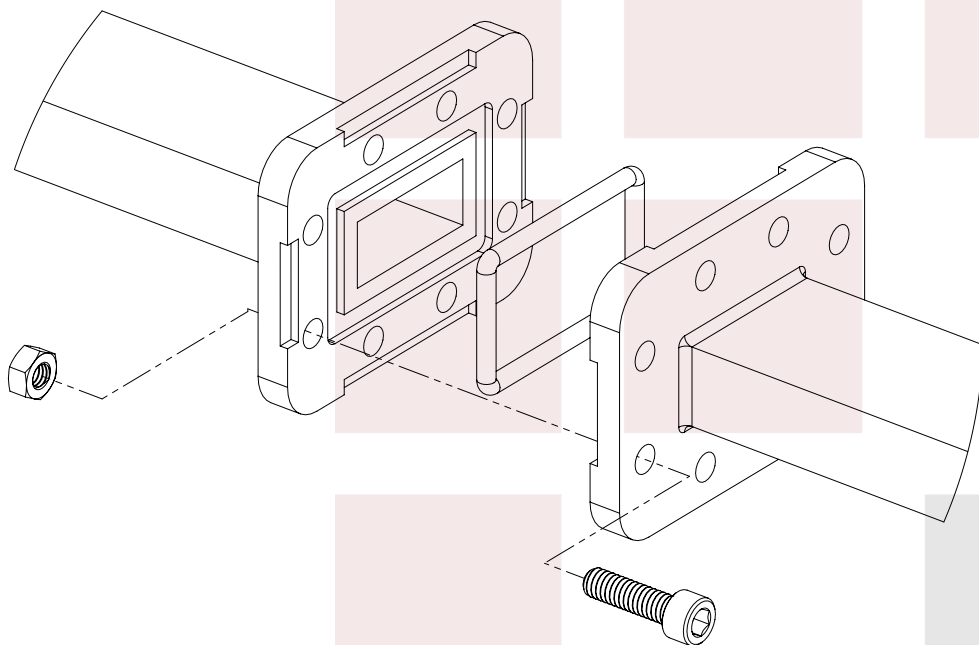


## WR-90 Electrically Conductive Waveguide Gasket kit for CPR Flat Flange

This is a gasket kit consisting of a conductive gasket, stainless steel screws, nuts, and washers to connect two waveguide flanges together. The FMWGK1021 is the kit made expressly for WR-90 CPR-90G waveguide flange. The gasket is made of Shore "A" 85 silver-plated copper impregnated silicone elastomer. The screws, nuts and washers are made of stainless steel.

Fairview has waveguide gaskets (both conductive and non-conductive), screws and other accessories that you need for your waveguides. Often people can forget to order items like screws or waveguide supports. Fairview has a full line of waveguide accessories available for same day shipment so that you do not have to wait for weeks to get your system working.



### Features:

- Electrically Conductive
- Shore "A" 85 silver-plated copper impregnated silicone elastomer
- 18-8 Stainless Steel Hardware
- CPR Flat to CPR Grooved

**Compliance Certifications** (see [product page](#) for current document)

WR-90 Electrically Conductive Waveguide Gasket kit for CPR Flat Flange from Fairview Microwave is in-stock and available to ship same-day. All of our RF/microwave products are available off-the-shelf from our ISO 9001:2008 certified facilities in Allen, Texas. Fairview Microwave is RF on-demand.

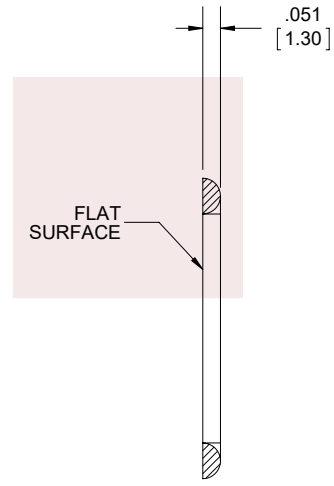
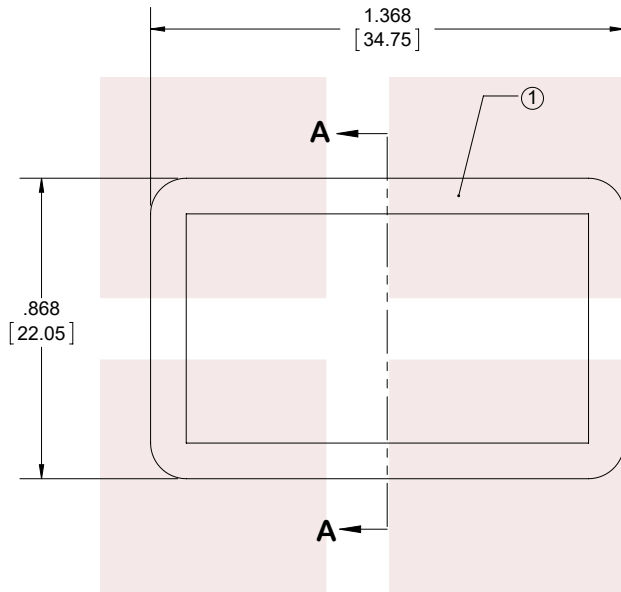
For additional information on this product, please click the following link: [WR-90 Electrically Conductive Waveguide Gasket kit for CPR Flat Flange FMWGK1021](#)

URL: <https://www.fairviewmicrowave.com/wr-90-electrically-conductive-waveguide-gasket-kit-cpr-flat-flange-fmwgk1021-p.aspx>

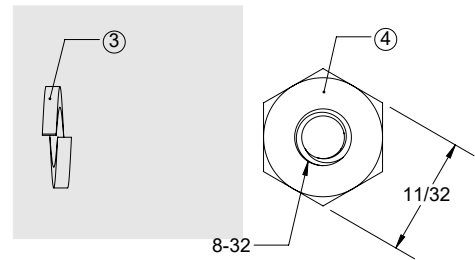
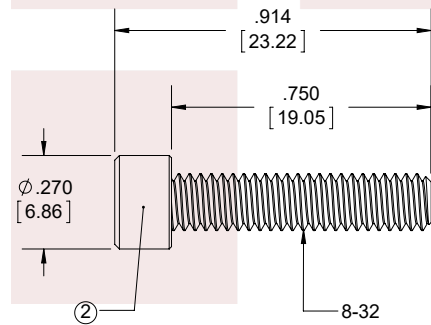
The information contained in this document is accurate to the best of our knowledge and representative of the part described herein. It may be necessary to make modifications to the part and/or the documentation of the part, in order to implement improvements. Fairview Microwave reserves the right to make such changes as required. Unless otherwise stated, all specifications are nominal. Fairview Microwave does not make any representation or warranty regarding the suitability of the part described herein for any particular purpose, and Fairview Microwave does not assume any liability arising out of the use of any part or documentation.

Fairview Microwave  
 301 Leora Ln., Suite 100  
 Lewisville, TX 75056  
 Tel: 1-800-715-4396 / (972) 649-6678  
 Fax: (972) 649-6689  
[www.fairviewmicrowave.com](http://www.fairviewmicrowave.com)  
[sales@fairviewmicrowave.com](mailto:sales@fairviewmicrowave.com)

ITEM NO.	DESCRIPTION	QTY.
1	GASKET	1
2	8-32 X 3/4, SCREW	8
3	#8 SPLIT LOCK WASHER	8
4	8-32 HEX, NUT	8



**SECTION A-A**



STANDARD TOLERANCES	
.X	$\pm 0.2$
.XX	$\pm 0.01$
.XXX	$\pm 0.005$

\*STANDARD TOLERANCES APPLY ONLY TO DIMENSIONS IN INCHES

<b>FAIRVIEW MICROWAVE INC.</b> ALLEN, TX 75013 WWW.FAIRVIEWMICROWAVE.COM		NOTES: 1. UNLESS OTHERWISE SPECIFIED ALL DIMENSIONS ARE NOMINAL. 2. ALL SPECIFICATIONS ARE SUBJECT TO CHANGE WITHOUT NOTICE AT ANY TIME. 3. DIMENSIONS ARE IN INCHES [mm].			
TITLE WR-90 Electrically Conductive Waveguide Gasket kit for CPR Flat Flange		DWG NO <b>FMWVGK1021</b>		CAGE CODE <b>3FKR5</b>	
CAD FILE	073117	SHEET	1 OF 1	SCALE	N/A
		SIZE	A		9999