

WR-22 Waveguide Isolator with 25 dB Typ Isolation from 26.5 GHz to 40 GHz using Square Cover UG-599/U Flange

The FMWIR1015 is a Waveguide Faraday Isolator offering 25 dB typical isolation over the full Ka band frequency range of 26.5 to 40 GHz. In a conventional isolator design, three or four parts would be needed to cover the full WR-28 band to achieve this level of isolation. The Faraday design achieves high isolation with wide band performance. This gold plated WR-28 waveguide component uses UG-599/U square cover cover flanges on all ports and has a power rating of 2 watt in the forward direction.

Fairview Microwave offers a wide variety of isolators and Waveguide Isolators to fit your needs. These are two-port devices that transmit microwave or radio frequency power in one direction only and block the signal in the opposite direction. They can be thought of as a diode for RF energy. Isolators are used to isolate equipment from the effects of conditions outside of the equipment. For instance they are used to prevent a microwave source being detuned by a mismatched load. Fairview Microwave's waveguide isolators feature excellent insertion loss, full band high isolation and reliability.



Features:

- Waveguide Faraday Isolator
- WR-28 Waveguide
- Full Ka Band Frequency Range 26.5 to 40 GHz
- UG-599/U Square Cover Flange
- 1.3:1 VSWR
- 25 dB isolation across the full band

Electrical Specifications

Description	Min	Typ	Max	Units
Frequency Range	26.5		40	GHz
Insertion Loss		1		dB
Isolation		25		dB
VSWR		1.3:1		
Forward Power (CW)			2	Watts

Applications:

- Radar Systems
- Military
- Wireless Radio Systems
- Telecom Infrastructure
- Communication Systems
- R&D Labs
- Microwave Radio Systems

Mechanical Specifications

Size	
Length	3.43 in [87.12 mm]
Height	1.244 in [31.6 mm]
Weight	0.2895 lbs [131.31 g]

Configuration

Design	Faraday
Waveguide Size	WR-28
Flange Designation	UG-599/U
Flange Type	Square Cover
Body Material and Plating	Brass Copper, Gold

Environmental Specifications

Compliance Certifications (see [product page](#) for current document)

Plotted and Other Data

Notes:

Fairview Microwave
301 Leora Ln., Suite 100
Lewisville, TX 75056
Tel: 1-800-715-4396 / (972) 649-6678
Fax: (972) 649-6689
www.fairviewmicrowave.com
sales@fairviewmicrowave.com

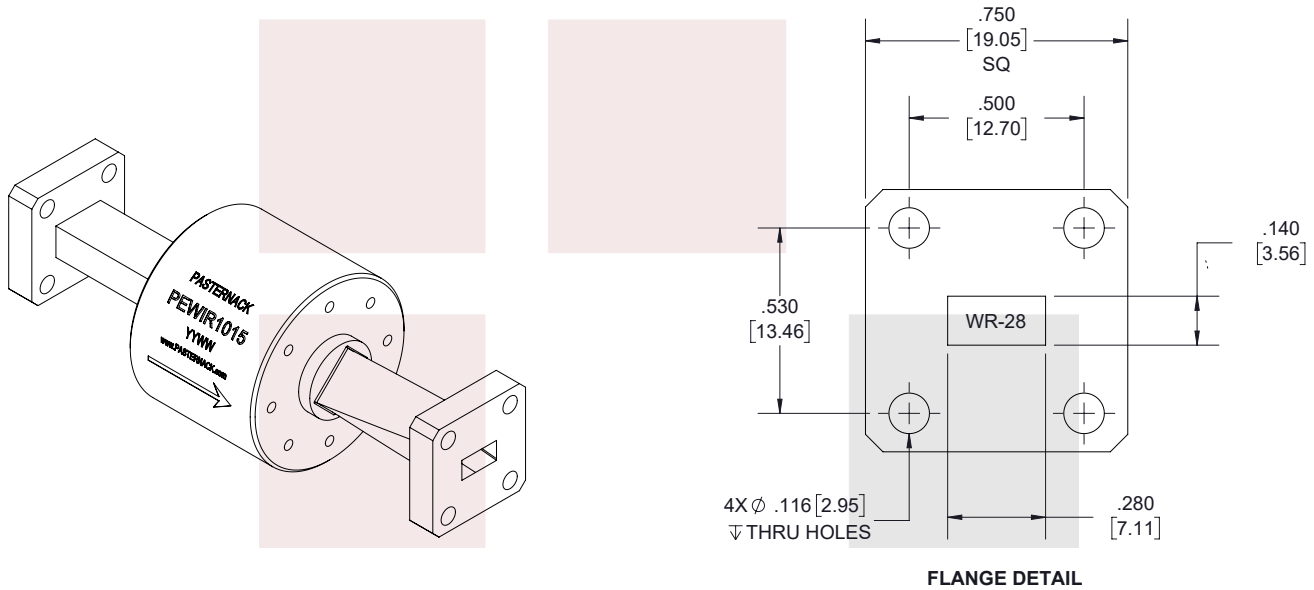
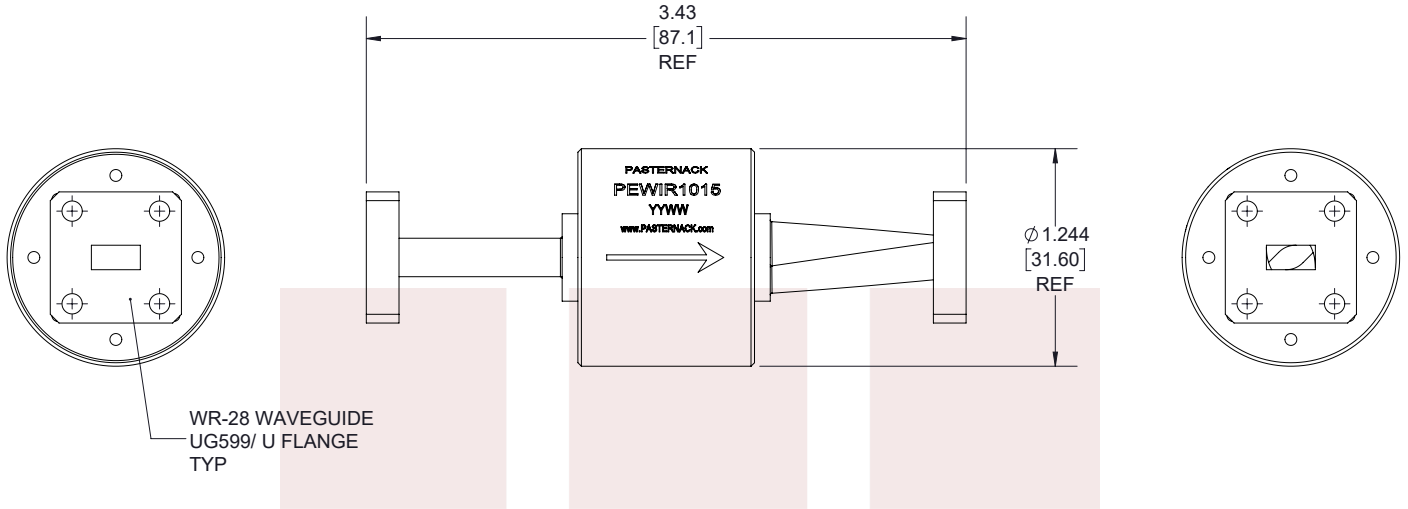
WR-22 Waveguide Isolator with 25 dB Typ Isolation from 26.5 GHz to 40 GHz using Square Cover UG-599/U Flange from Fairview Microwave is in-stock and available to ship same-day. All of our RF/microwave products are available off-the-shelf from our ISO 9001:2008 certified facilities in Lewisville, Texas. Fairview Microwave is RF on-demand.

For additional information on this product, please click the following link: [WR-22 Waveguide Isolator with 25 dB Typ Isolation from 26.5 GHz to 40 GHz using Square Cover UG-599/U Flange FMWIR1015](#)

URL: <https://www.fairviewmicrowave.com/wr-28-waveguide-isolator-25-db-40-ghz-ug599-fmwir1015-p.aspx>

The information contained in this document is accurate to the best of our knowledge and representative of the part described herein. It may be necessary to make modifications to the part and/or the documentation of the part, in order to implement improvements. Fairview Microwave reserves the right to make such changes as required. Unless otherwise stated, all specifications are nominal. Fairview Microwave does not make any representation or warranty regarding the suitability of the part described herein for any particular purpose, and Fairview Microwave does not assume any liability arising out of the use of any part or documentation.





STANDARD TOLERANCES	
.X	±0.2
.XX	±0.01
.XXX	±0.005

*STANDARD TOLERANCES APPLY ONLY TO DIMENSIONS IN INCHES

<p>Fairview Microwave an INFINIT[®] brand</p>		<p>NOTES: 1. UNLESS OTHERWISE SPECIFIED ALL DIMENSIONS ARE NOMINAL. 2. ALL SPECIFICATIONS ARE SUBJECT TO CHANGE WITHOUT NOTICE AT ANY TIME. 3. DIMENSIONS ARE IN INCHES [mm].</p>						
<p>TITLE WR-22 Waveguide Isolator with 25 dB Typ Isolation from 26.5 GHz to 40 GHz using Square Cover UG-599/U Flange</p>		<p>DWG NO FMWIR1015</p>		<p>CAGE CODE 3FKR5</p>				
CAD FILE	08/01/19	SHEET	1 OF 1	SCALE	N/A	SIZE	A	7361