

## WRD-180 Waveguide Section 3 Inch Straight Length with UG Square Cover Flange from 18 GHz to 40 GHz in Brass

Fairview Microwave's FMWRD180S001-3 is a 3 inch WRD-180 straight double ridge waveguide section that operates from 18 GHz to 40 GHz. This straight waveguide section offers a typical 1.25:1 VSWR. The input of this straight waveguide section has a UG Flange. FMWRD180S001-3 is part of over 40,000 RF, microwave and millimeter wave components offered at Fairview Microwave. WRD-180 straight waveguide section will ship worldwide the same day it is purchased along with our other RF components.

### Electrical Specifications\*

Description	Min	Typ	Max	Units
Frequency Range	18		40	GHz
VSWR		1.25:1		
Insertion Loss		0.4		dB

\* Values at 25°C, sea level

### Mechanical Specifications

Waveguide Size WRD-180  
Section Length 3 in [76.2 mm]

#### Flange 1

Flange Type Square Cover  
Flange Designation UG  
Material Brass  
Plating Gold

#### Waveguide

Interface WRD-180  
Material Copper  
Plating Gold

#### Flange 2

Flange Type Square Cover  
Flange Designation UG  
Material Brass  
Plating Gold

#### Size

Weight 1 lbs [453.59 g]

**Compliance Certifications** (see [product page](#) for current document)

### Plotted and Other Data

Notes:

- Values at 25 °C, sea level



### Features:

- 3" Length
- WRD-180 Double Ridge Waveguide
- UG Flange
- 18 GHz to 40 GHz Frequency Range
- Comprehensive waveguide offering also includes E-Bends, H-Bends, Waveguide to Coax Adapters, Filters, Terminations, and more.

Fairview Microwave  
301 Leora Ln., Suite 100  
Lewisville, TX 75056  
Tel: 1-800-715-4396 / (972) 649-6678  
Fax: (972) 649-6689  
[www.fairviewmicrowave.com](http://www.fairviewmicrowave.com)  
[sales@fairviewmicrowave.com](mailto:sales@fairviewmicrowave.com)

WRD-180 Waveguide Section 3 Inch Straight Length with UG Square Cover Flange from 18 GHz to 40 GHz in Brass from Fairview Microwave is in-stock and available to ship same-day. All of our RF/microwave products are available off-the-shelf from our ISO 9001:2008 certified facilities in Lewisville, Texas. Fairview Microwave is RF on-demand.

For additional information on this product, please click the following link: [WRD-180 Waveguide Section 3 Inch Straight Length with UG Square Cover Flange from 18 GHz to 40 GHz in Brass FMWRD180S001-3](#)

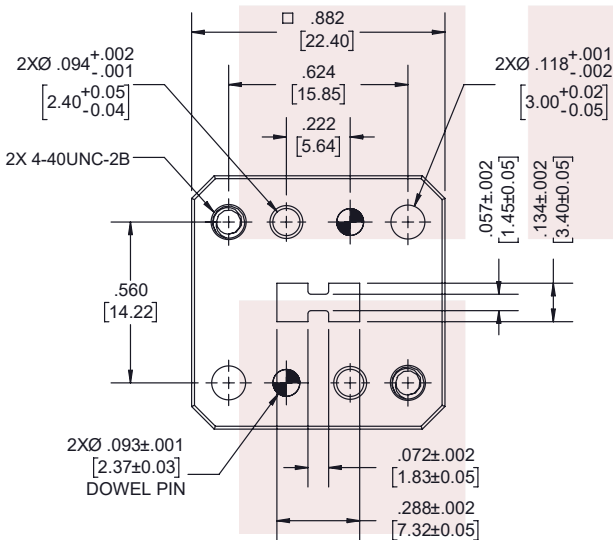
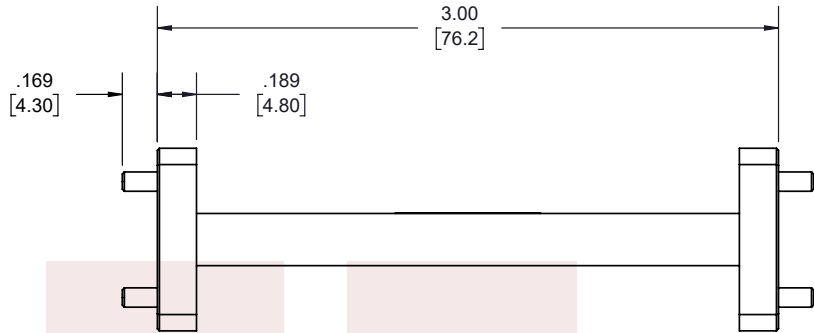
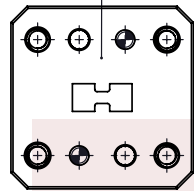
URL: <https://www.fairviewmicrowave.com/wrd-180-waveguide-section-straight-ug-square-fmwr180s001-3-p.aspx>

The information contained in this document is accurate to the best of our knowledge and representative of the part described herein. It may be necessary to make modifications to the part and/or the documentation of the part, in order to implement improvements. Fairview Microwave reserves the right to make such changes as required. Unless otherwise stated, all specifications are nominal. Fairview Microwave does not make any representation or warranty regarding the suitability of the part described herein for any particular purpose, and Fairview Microwave does not assume any liability arising out of the use of any part or documentation.



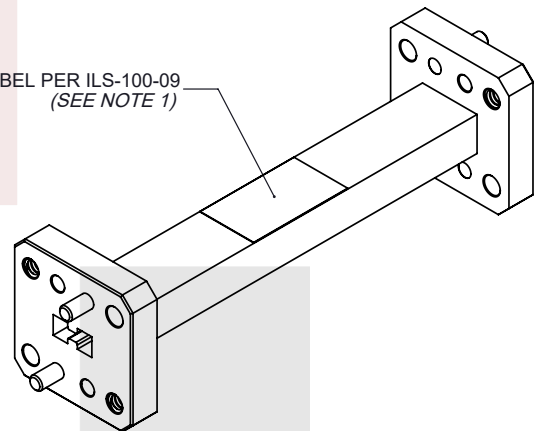
REVISIONS			
REV.	DESCRIPTION	DATE	APPROVED
A	INITIAL RELEASE	10/2/2020	S.PONG

WRD180 DOUBLE-RIDGE  
FPWRD180C24 COVER FLANGE  
TYP



FLANGE DETAIL

LABEL PER ILS-100-09  
(SEE NOTE 1)



**NOTES:**

- LABEL PER ILS-100-09. FOR INTERNAL REFERENCE ONLY. LABEL LOCATION FOR REFERENCE ONLY.

THESE COMMODITIES, TECHNOLOGY OR SOFTWARE WERE EXPORTED FROM THE UNITED STATES IN ACCORDANCE WITH THE EXPORT ADMINISTRATION REGULATIONS. DIVERSION CONTRARY TO U.S. LAW PROHIBITED.



TITLE  
WRD-180 Waveguide Section 3 Inch Straight Length with UG Square Cover Flange from 18 GHz to 40 GHz in Brass

UNLESS OTHERWISE SPECIFIED LEADING DIMENSIONS ARE INCHES  
DIMENSIONS IN [ ] ARE MILLIMETERS

TOLERANCES: CABLE LENGTH (L) TOLERANCES:

.X = ±.2 [5.08]	FRACTIONS ± 1/32	L ≤ 12 [305] = +1 [25] / -0
.XX = ±.02 [.51]	ANGLES ± 1°	12 [305] < L ≤ 60 [1524] = +2 [51] / -0
.XXX = ±.005 [.13]		60 [1524] < L ≤ 120 [3048] = +4 [102] / -0
		120 [3048] < L ≤ 300 [7620] = +6 [152] / -0
		300 [7620] < L = +5%L / -0

THIRD-ANGLE PROJECTION



THE INFORMATION AND DESIGN IN THIS DOCUMENT IS THE PROPERTY OF FAIRVIEW MICROWAVE CORPORATION. ALL RIGHTS RESERVED.

SHEET 1 OF 1

ALL DIMENSIONS SHOWN ARE FOR REFERENCE ONLY.

SCALE N/A

SIZE A	CAGE CODE 3FKR5	DRAWN BY K.DANG	ITEM NO. FMWRD180S001-3	REV A
-----------	--------------------	--------------------	----------------------------	----------

T-Rev.D