

**WR-112 Waveguide Pressurizing Section 4.25 Inch Length With UG-51/U Square Cover Flange from 7.05 GHz to 10 GHz**

The FMWSP1009 is a pressurizing section for WR-112 waveguides with UG-51/U Square Cover flanges. The pressure section has a pressure gauge to monitor the internal pressure. The pressure gauge will read up to 15 PSI. It also has a pressure inlet valve which is a Schrader 1/8-27 NPTF with protective metal cap. The FMWSP1009 is part of a family of pressure inlets with pressure gauges. Used with Fairview Microwave's gasket kits it allows for waveguide systems to be pressurized with air or other gasses. These are quality built units with VSWR of 1.08:1 or less.



**Features:**

- Pressurizing Waveguide Section
- 0-15 PSI Pressure Gauge
- 7.05 GHz to 10 GHz Frequency Range
- UG-51/U Square Cover Flange
- Waveguide Body made of Bronze with Brass Flanges
- Low VSWR

**Electrical Specifications\***

Description	Min	Typ	Max	Units
Frequency Range	7.05		10	GHz
VSWR		1.07:1		

\* Values at 25°C, sea level

**Mechanical Specifications**

Waveguide Size WR-112  
 Waveguide Design Standard  
 Section Length 4.25 in [107.95 mm]

**Flange 1**

Flange Type Square Cover  
 Flange Designation UG-51/U

**Waveguide**

Interface WR-112  
 Material Bronze

**Flange 2**

Flange Type Square Cover  
 Flange Designation UG-51/U

**Compliance Certifications** (see [product page](#) for current document)

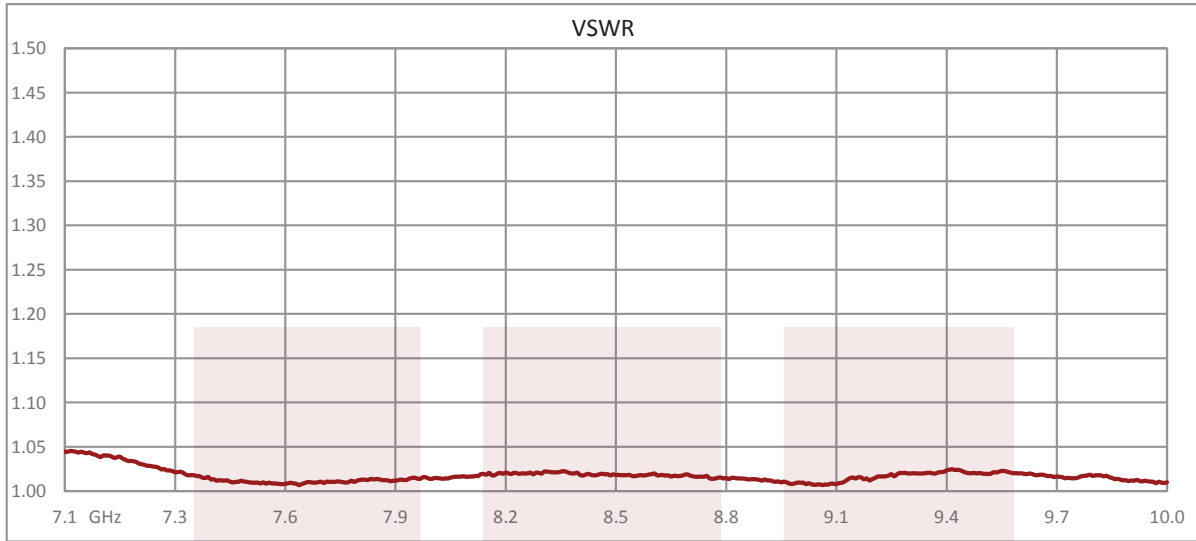
**Plotted and Other Data**

Notes:

- Values at 25 °C, sea level

Fairview Microwave  
 1130 Junction Dr. #100  
 Allen, TX 75013  
 Tel: 1-800-715-4396 / (972) 649-6678  
 Fax: (972) 649-6689  
[www.fairviewmicrowave.com](http://www.fairviewmicrowave.com)  
[sales@fairviewmicrowave.com](mailto:sales@fairviewmicrowave.com)

**Typical Performance Data**

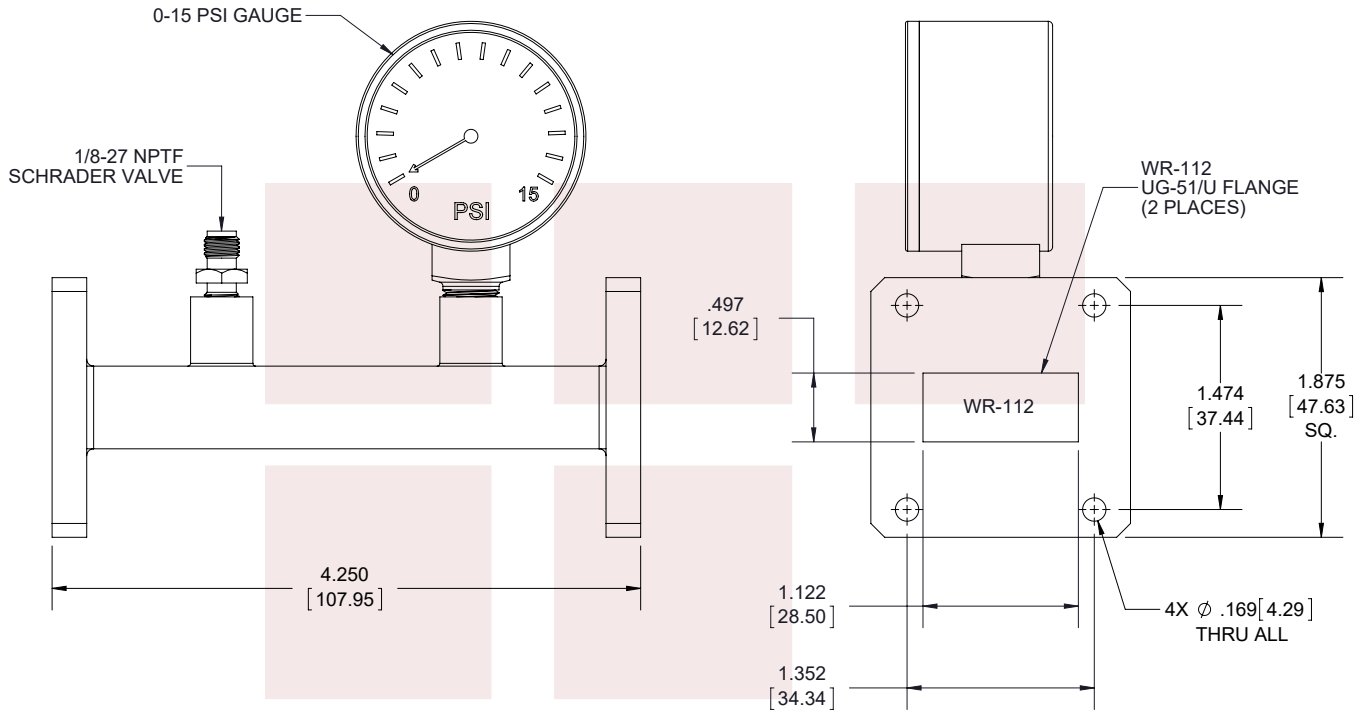


WR-112 Waveguide Pressurizing Section 4.25 Inch Length With UG-51/U Square Cover Flange from 7.05 GHz to 10 GHz from Fairview Microwave is in-stock and available to ship same-day. All of our RF/microwave products are available off-the-shelf from our ISO 9001:2008 certified facilities in Allen, Texas. Fairview Microwave is RF on-demand.

For additional information on this product, please click the following link: [WR-112 Waveguide Pressurizing Section 4.25 Inch Length With UG-51/U Square Cover Flange from 7.05 GHz to 10 GHz FMWSP1009](#)

URL: <https://www.fairviewmicrowave.com/wr-112-waveguide-section-straight-ug51-square-standard-fmwsp1009-p.aspx>

The information contained in this document is accurate to the best of our knowledge and representative of the part described herein. It may be necessary to make modifications to the part and/or the documentation of the part, in order to implement improvements. Fairview Microwave reserves the right to make such changes as required. Unless otherwise stated, all specifications are nominal. Fairview Microwave does not make any representation or warranty regarding the suitability of the part described herein for any particular purpose, and Fairview Microwave does not assume any liability arising out of the use of any part or documentation.



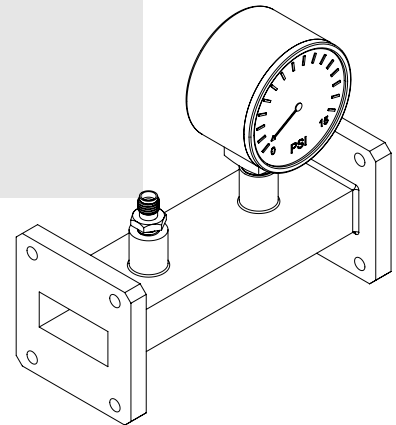
**FM LABEL**

FMWSP1009  
XXXX  
www.FAIRVIEWMICROWAVE.com

**STANDARD TOLERANCES**

.X ±0.2  
.XX ±0.01  
.XXX ±0.005

\*STANDARD TOLERANCES APPLY  
ONLY TO DIMENSIONS IN INCHES



<b>FAIRVIEW MICROWAVE INC.</b> ALLEN, TX 75013 WWW.FAIRVIEWMICROWAVE.COM		NOTES: 1. UNLESS OTHERWISE SPECIFIED ALL DIMENSIONS ARE NOMINAL. 2. ALL SPECIFICATIONS ARE SUBJECT TO CHANGE WITHOUT NOTICE AT ANY TIME. 3. DIMENSIONS ARE IN INCHES [mm].			
TITLE WR-112 Waveguide Pressurizing Section 4.25 Inch Length With UG-51/U Square Cover Flange from 7.05 GHz to 10 GHz		DWG NO <b>FMWSP1009</b>		CAGE CODE <b>3FKR5</b>	
CAD FILE	062117	SHEET	1 OF 1	SCALE	N/A
				SIZE	A
					9999