

WR-137 Waveguide Pressurizing Section 4.25 Inch Length With CPR-137G Grooved Flange from 5.85 GHz to 8.2 GHz

The FMWSP1012 is a pressurizing section for WR-137 waveguides with CPR-137 Grooved flanges. The pressure section has a pressure gauge to monitor the internal pressure. The pressure gauge will read up to 15 PSI. It also has a pressure inlet valve which is a Schrader 1/8-27 NPTF with protective metal cap. The FMWSP1012 is part of a family of pressure inlets with pressure gauges. Used with Fairview Microwave's gasket kits it allows for waveguide systems to be pressurized with air or other gasses. These are quality built units with VSWR of 1.08:1 or less.



Features:

- Pressurizing Waveguide Section
- 0-15 PSI Pressure Gauge
- 5.85 GHz to 8.2 GHz Frequency Range
- CPR-137 Grooved Flange
- Waveguide Body made of Bronze with Brass Flanges
- Low VSWR

Electrical Specifications*

Description	Min	Typ	Max	Units
Frequency Range	5.85		8.2	GHz
VSWR		1.07:1		

* Values at 25°C, sea level

Mechanical Specifications

Waveguide Size WR-137
Waveguide Design Standard
Section Length 4.25 in [107.95 mm]

Flange 1

Flange Type CPR-137G
Flange Designation None

Waveguide

Interface WR-137
Material Bronze

Flange 2

Flange Type CPR-137G
Flange Designation None

Compliance Certifications (see [product page](#) for current document)

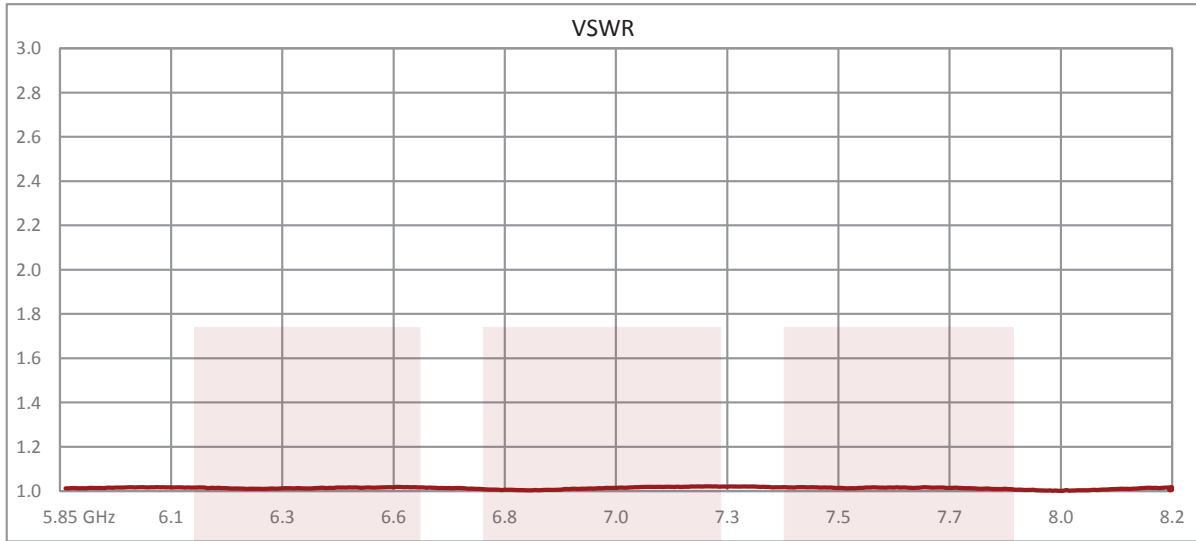
Plotted and Other Data

Notes:

- Values at 25 °C, sea level

Fairview Microwave
1130 Junction Dr. #100
Allen, TX 75013
Tel: 1-800-715-4396 / (972) 649-6678
Fax: (972) 649-6689
www.fairviewmicrowave.com
sales@fairviewmicrowave.com

Typical Performance Data

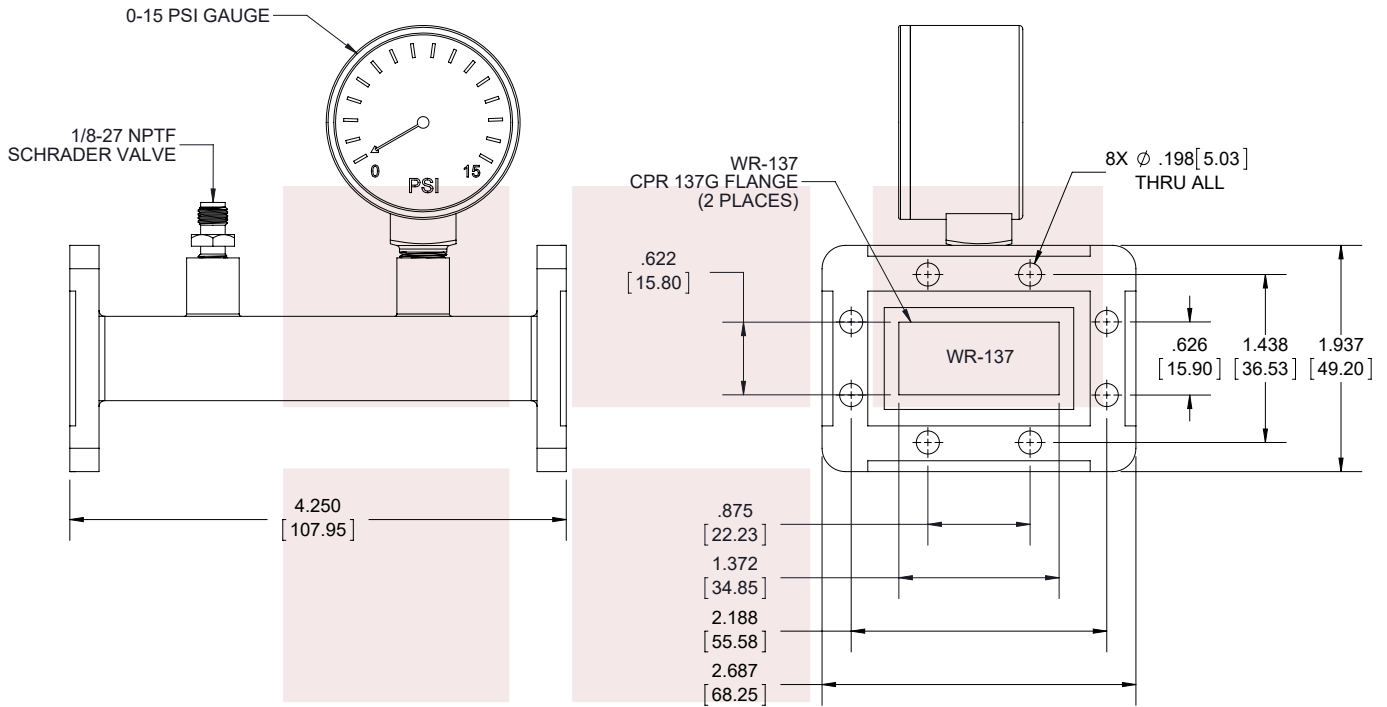


WR-137 Waveguide Pressurizing Section 4.25 Inch Length With CPR-137G Grooved Flange from 5.85 GHz to 8.2 GHz from Fairview Microwave is in-stock and available to ship same-day. All of our RF/microwave products are available off-the-shelf from our ISO 9001:2008 certified facilities in Allen, Texas. Fairview Microwave is RF on-demand.

For additional information on this product, please click the following link: [WR-137 Waveguide Pressurizing Section 4.25 Inch Length With CPR-137G Grooved Flange from 5.85 GHz to 8.2 GHz FMWSP1012](#)

URL: <https://www.fairviewmicrowave.com/wr-137-waveguide-section-straight-cpr-137g-grooved-standard-fmwsp1012-p.aspx>

The information contained in this document is accurate to the best of our knowledge and representative of the part described herein. It may be necessary to make modifications to the part and/or the documentation of the part, in order to implement improvements. Fairview Microwave reserves the right to make such changes as required. Unless otherwise stated, all specifications are nominal. Fairview Microwave does not make any representation or warranty regarding the suitability of the part described herein for any particular purpose, and Fairview Microwave does not assume any liability arising out of the use of any part or documentation.



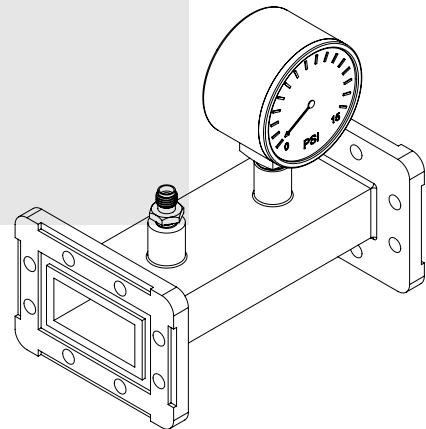
FM LABEL

FMWSP1012
 XXXX
 www.FAIRVIEWMICROWAVE.com

STANDARD TOLERANCES

.X ± 0.2
 .XX ± 0.01
 .XXX ± 0.005

*STANDARD TOLERANCES APPLY ONLY TO DIMENSIONS IN INCHES



FAIRVIEW MICROWAVE INC. ALLEN, TX 75013 WWW.FAIRVIEWMICROWAVE.COM		NOTES: 1. UNLESS OTHERWISE SPECIFIED ALL DIMENSIONS ARE NOMINAL. 2. ALL SPECIFICATIONS ARE SUBJECT TO CHANGE WITHOUT NOTICE AT ANY TIME. 3. DIMENSIONS ARE IN INCHES [mm].				
TITLE	DWG NO FMWSP1012	CAGE CODE 3FKR5				
WR-137 Waveguide Pressurizing Section 4.25 Inch Length With CPR-137G Grooved Flange from 5.85 GHz to 8.2 GHz	CAD FILE 062117	SHEET 1 OF 1	SCALE N/A	SIZE A	9999	