

Waveguide Transition With WR-62 UG-1665/U Square Cover Flange to WR-51 Square Cover Flange in 3 Inch Length

The FMWTS1007 is part of Fairview Microwave's family of Waveguide Transitions (also sometimes called waveguide adapters) used as a means of propagating RF/Microwave energy from one waveguide size to another. The FMWTS1007 allows the waveguide to change from a WR-62 waveguide (using a UG-1665/U flange) to a WR-51 waveguide (using a Square Cover flange).

Electrical Specifications

Description	Min	Typ	Max	Units
VSWR		1.08:1		

Mechanical Specifications

Size	
Length	3 in [76.2 mm]
Weight	0.3655 lbs [165.79 g]

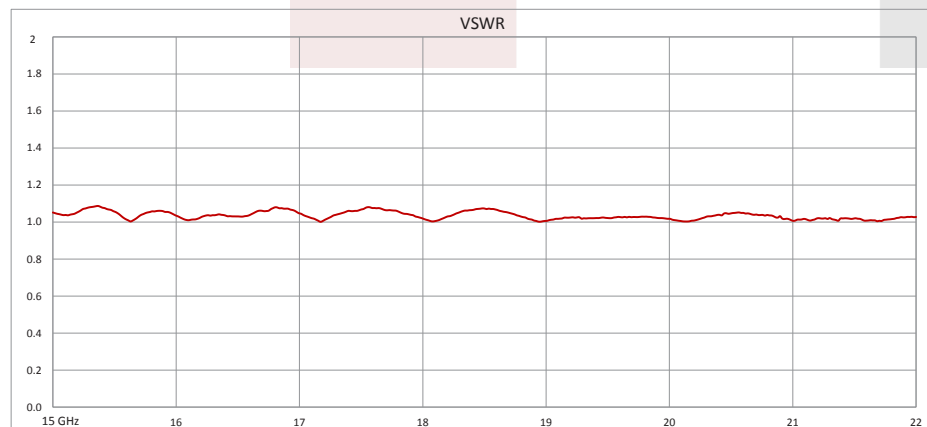
Description	Flange 1	Waveguide	Flange 2
Designation	UG-1665/U	WR-62 to WR-51	
Flange Type	Square Cover		Square Cover
Material	Brass	Brass	Brass
Plating	Silver	Silver	Silver

Compliance Certifications (see [product page](#) for current document)

Plotted and Other Data

- Notes:
- Typical VSWR data taken with load

Typical Performance Data



Features:

- Transitions from WR-62 to WR-51 waveguide
- WR-62 waveguide UG-1665/U flange
- WR-51 waveguide Square Cover flange
- Painted finish

Applications:

- Radar Systems
- Military and Space
- Wireless Radio Systems
- Telecom Infrastructure
- Communication Systems
- R&D Labs
- Microwave Radio Systems

Fairview Microwave
 301 Leora Ln., Suite 100
 Lewisville, TX 75056
 Tel: 1-800-715-4396 / (972) 649-6678
 Fax: (972) 649-6689
www.fairviewmicrowave.com
sales@fairviewmicrowave.com

Waveguide Transition With WR-62 UG-1665/U Square Cover Flange to WR-51 Square Cover Flange in 3 Inch Length from Fairview Microwave is in-stock and available to ship same-day. All of our RF/microwave products are available off-the-shelf from our ISO 9001:2008 certified facilities in Lewisville, Texas. Fairview Microwave is RF on-demand.

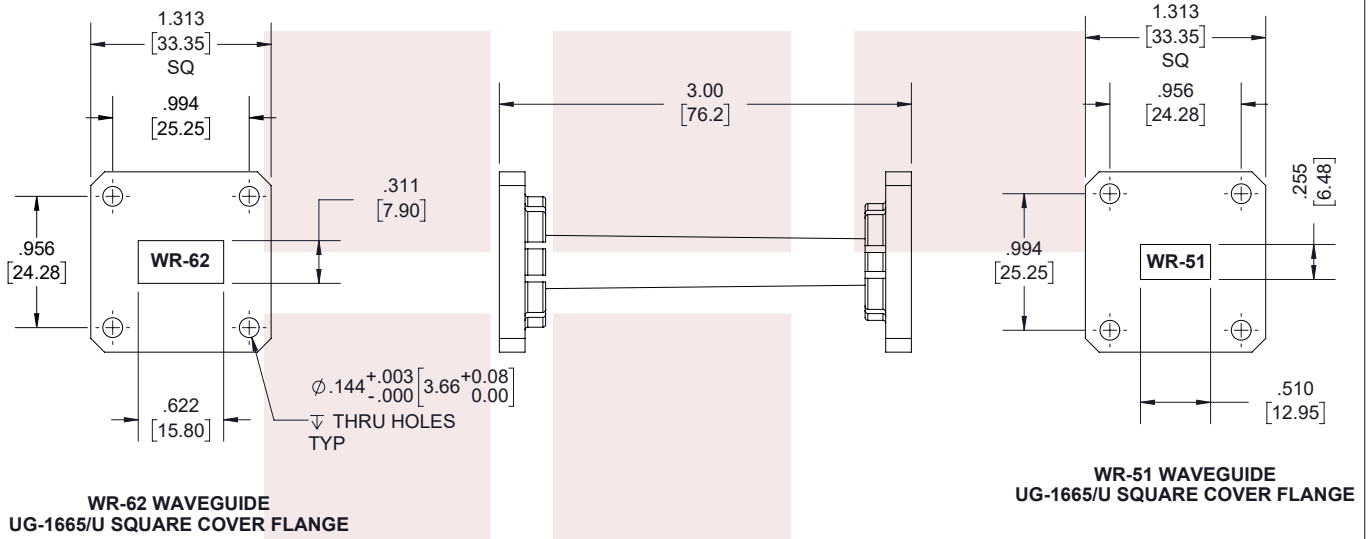
For additional information on this product, please click the following link: [Waveguide Transition With WR-62 UG-1665/U Square Cover Flange to WR-51 Square Cover Flange in 3 Inch Length FMWTS1007](#)

URL: <https://www.fairviewmicrowave.com/waveguide-transition-wr62-ug1665-square-wr51-square-fmwts1007-p.aspx>

The information contained in this document is accurate to the best of our knowledge and representative of the part described herein. It may be necessary to make modifications to the part and/or the documentation of the part, in order to implement improvements. Fairview Microwave reserves the right to make such changes as required. Unless otherwise stated, all specifications are nominal. Fairview Microwave does not make any representation or warranty regarding the suitability of the part described herein for any particular purpose, and Fairview Microwave does not assume any liability arising out of the use of any part or documentation.



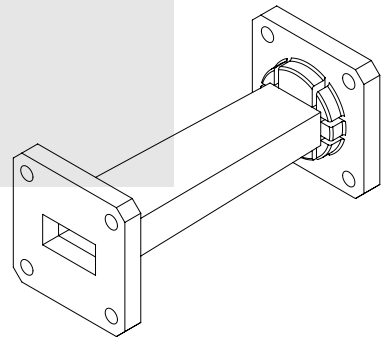
REVISIONS			
REV.	DESCRIPTION	DATE	APPROVED
B	PCR FMWTS1007 ; PEWTS1007A	4/6/2020	S.PONG



LABEL:

FAIRVIEW MICROWAVE
FMWTS1007
D/C: YYWW

THESE COMMODITIES, TECHNOLOGY OR SOFTWARE WERE EXPORTED FROM THE UNITED STATES IN ACCORDANCE WITH THE EXPORT ADMINISTRATION REGULATIONS. DIVERSION CONTRARY TO U.S. LAW PROHIBITED.



TITLE
Waveguide Transition With WR-62 UG-1665/U Square Cover Flange to WR-51 Square Cover Flange in 3 Inch Length

UNLESS OTHERWISE SPECIFIED LEADING DIMENSIONS ARE INCHES
DIMENSIONS IN [] ARE MILLIMETERS

TOLERANCES:

X = ± .2 [5.08] FRACTIONS ± 1/32
XX = ± .02 [.51] ANGLES ± 1°
.XXX = ± .005 [.13]

CABLE LENGTH (L) TOLERANCES:

L ≤ 12 [305] = +1 [25] / -0
12 [305] < L ≤ 60 [1524] = +2 [51] / -0
60 [1524] < L ≤ 120 [3048] = +4 [102] / -0
120 [3048] < L ≤ 300 [7620] = +6 [152] / -0
300 [7620] < L = +5%L / -0

THIRD-ANGLE PROJECTION



THE INFORMATION AND DESIGN IN THIS DOCUMENT IS THE PROPERTY OF FAIRVIEW MICROWAVE CORPORATION. ALL RIGHTS RESERVED.

SHEET 1 OF 1

SCALE N/A

ALL DIMENSIONS SHOWN ARE FOR REFERENCE ONLY.

SIZE A	CAGE CODE 3FKR5	DRAWN BY K.DANG	ITEM NO. FMWTS1007	REV B
-----------	--------------------	--------------------	-----------------------	----------

T-Rev.D