

**4 GHz Phase Locked Oscillator, 10 MHz External Ref., Phase Noise -120 dBc/Hz and SMA**

FMXC7003 is a 4,000 MHz Phase-Locked Oscillator with an external 10 MHz Reference Oscillator. This design features exceptional phase noise performance of -120 dBc/Hz @ 10 kHz offset. Supply Voltage is +5V DC @ 125 mA typ. The PCB solder assembly is RoHS compliant and available in a compact coaxial package that's Nickel plated and supports SMA connectors with DC bias pins and a TTL Lock Detect pin available to signal an out-of-lock condition. The reference oscillator has an output power level of +7 dBm +/-3 dB and 2nd harmonic output of -25 dBc typical. The reference oscillator operates over a temperature range of -30°C to +70°C and is designed to meet a variety of MIL-STD-202 test conditions including Humidity, Shock, and Vibration.

**Electrical Specifications**

Description	Min	Typ	Max	Units
Output Frequency		4		GHz
Output Impedance		50		Ohms
Output Power	+4	+7	+10	dBm
Phase Noise @ 1kHz Offset		-95	-92	dBc/Hz
Phase Noise @ 10kHz Offset		-120	-118	dBc/Hz
Phase Noise @ 100kHz Offset		-140	-138	dBc/Hz
Phase Noise @ 1MHz Offset		-135	-130	dBc/Hz
Reference Frequency		10		MHz
Reference Impedance		50		Ohms
Reference Power	+4	+7	+10	dBm
Ref. Phase Noise @ 10Hz Offset		-110		dBc/Hz
Ref. Phase Noise @ 100Hz Offset		-130		dBc/Hz
Ref. Phase Noise @ 1kHz Offset		-145		dBc/Hz
2nd Harmonics		-25	-20	dBc
Spurious		-70	-65	dBc
Lock Detect	5 VDC TTL, High=Lock			
Supply Voltage (DC) 1		12		Vdc
Supply Current (DC) 1		25		mA

**Mechanical Specifications**

<b>Size</b>	
Length	2 in [50.8 mm]
Width	1.5 in [38.1 mm]
Height	0.6 in [15.24 mm]
Weight	0.0995 lbs [45.13 g]
Body Material and Plating	Aluminum

**Configuration**

Design	Commercial
Reference Type	External
Package Style	Connectorized
Input Connector	SMA Female
Output Connector	SMA Female



**Features:**

- 4,000 MHz Phase-Locked Oscillator
- External 10 MHz Reference Oscillator
- -120 dBc/Hz @ 10kHz offset
- Pout +7 dBm
- Harmonics -25 dBc
- Designed to meet MIL-STD-202 Environmental Conditions

**Applications:**

- Phase Locked Loop
- Function Generators
- Frequency Synthesizers
- Receivers
- Electronic Jamming Equipment
- Local Oscillator
- Wireless Communications
- SATCOM
- Optical Communications
- Military Electronic Systems

Fairview Microwave  
301 Leora Ln., Suite 100  
Lewisville, TX 75056  
Tel: 1-800-715-4396 / (972) 649-6678  
Fax: (972) 649-6689  
[www.fairviewmicrowave.com](http://www.fairviewmicrowave.com)  
[sales@fairviewmicrowave.com](mailto:sales@fairviewmicrowave.com)

**Environmental Specifications**

**Temperature**

Operating Range

Shock

Vibration

ESD Sensitivity

-30 to +70 deg C

IAW MIL-STD-202, Method 213, Condition A

IAW MIL-STD-202, Method 204, Condition A

ESD Sensitive Material, Transport material in Approved ESD bags. Handle only in ESD Workstation.

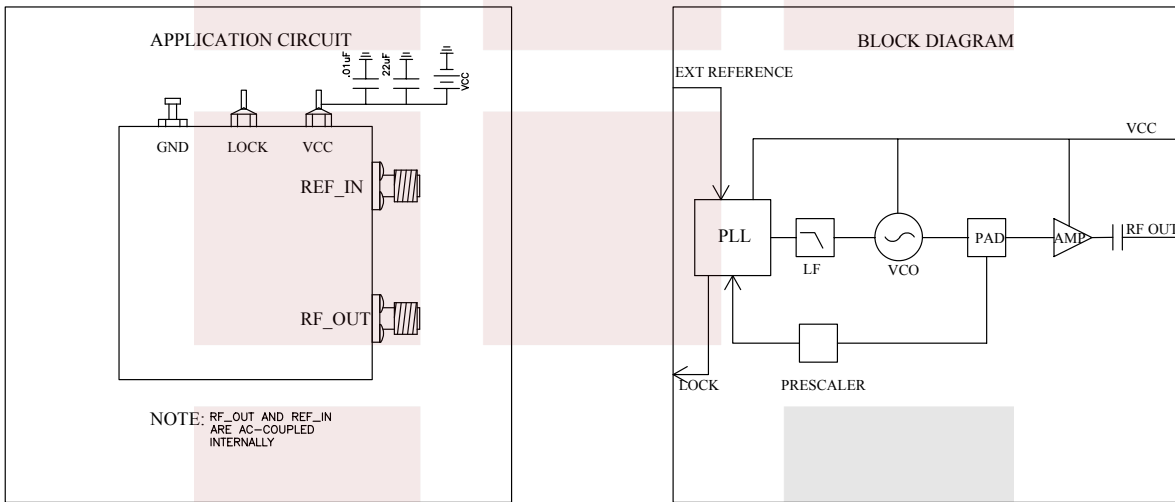


**Compliance Certifications** (see [product page](#) for current document)

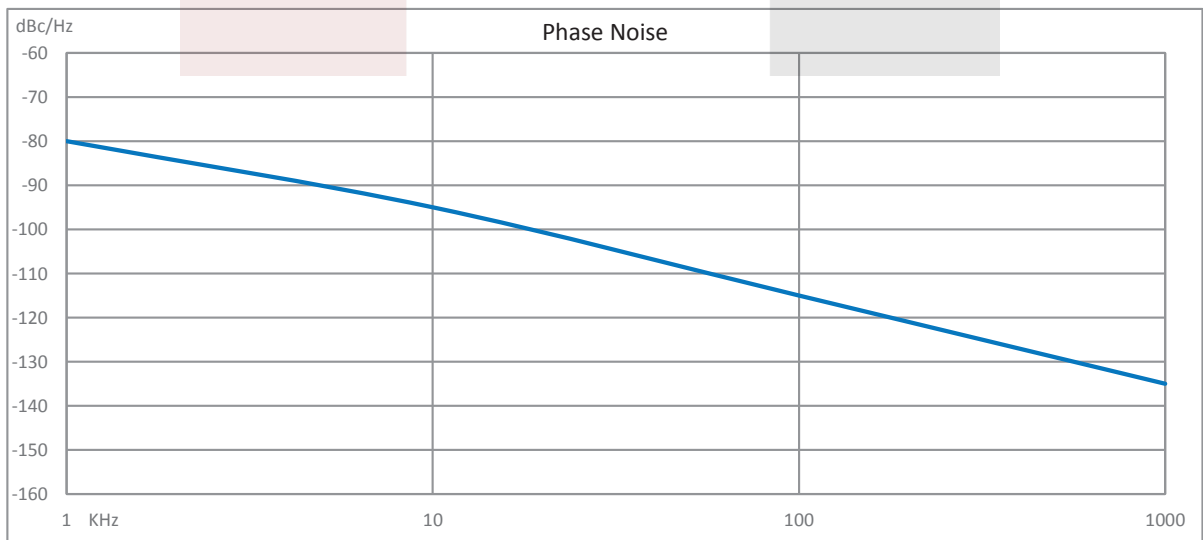
**Plotted and Other Data**

Notes:

**Functional Block Diagram**



**Typical Performance Data**



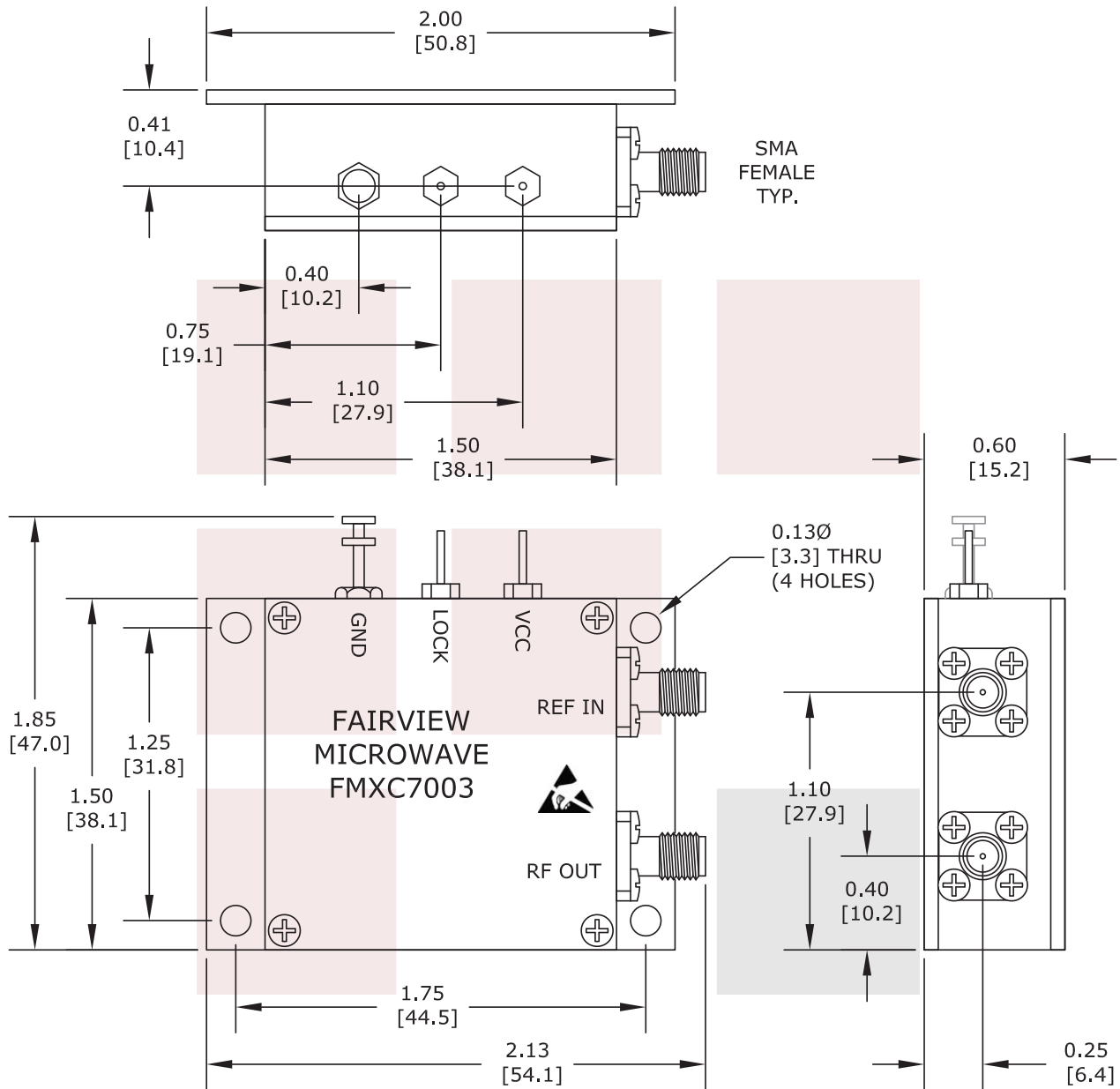
4 GHz Phase Locked Oscillator, 10 MHz External Ref., Phase Noise -120 dBc/Hz and SMA from Fairview Microwave is in-stock and available to ship same-day. All of our RF/microwave products are available off-the-shelf from our ISO 9001:2008 certified facilities in Allen, Texas. Fairview Microwave is RF on-demand.

For additional information on this product, please click the following link: [4 GHz Phase Locked Oscillator, 10 MHz External Ref., Phase Noise -120 dBc/Hz and SMA FMXC7003](#)

URL: <https://www.fairviewmicrowave.com/4-ghz-phase-locked-oscillator-external-fmxc7003-p.aspx>

The information contained in this document is accurate to the best of our knowledge and representative of the part described herein. It may be necessary to make modifications to the part and/or the documentation of the part, in order to implement improvements. Fairview Microwave reserves the right to make such changes as required. Unless otherwise stated, all specifications are nominal. Fairview Microwave does not make any representation or warranty regarding the suitability of the part described herein for any particular purpose, and Fairview Microwave does not assume any liability arising out of the use of any part or documentation.





NOTE: HOUSING IS GROUND.

<b>FAIRVIEW MICROWAVE INC.</b> ALLEN, TX 75013 WWW.FAIRVIEWMICROWAVE.COM		NOTES: 1. UNLESS OTHERWISE SPECIFIED ALL DIMENSIONS ARE NOMINAL. 2. ALL SPECIFICATIONS ARE SUBJECT TO CHANGE WITHOUT NOTICE AT ANY TIME. 3. DIMENSIONS ARE IN INCHES [mm].			
TITLE 4 GHz Phase Locked Oscillator, 10 MHz External Ref., Phase Noise -120 dBc/Hz and SMA		DWG NO <b>FMXC7003</b>		CAGE CODE <b>3FKR5</b>	
CAD FILE	011316	SHEET	SCALE	N/A	SIZE A 2233