

**M39012/01-0005 N Male Connector Clamp
 Attachment For RG213, RG214, RG225 Cable**

Type N male connector with clamp/solder attachment for RG213, RG214 and RG225, part number M39012/01-0005, from Fairview Microwave is in-stock and ships same day. This type N male connector operates up to a maximum frequency of 11 GHz.

Fairview's type N male connector M39012/01-0005 datasheet specifications and outline drawing are shown in this PDF below. Our extensive offering of RF, microwave and millimeter wave connectors allows designers to configure and customize their signal connections however they like. From providing an I/O for a board design to creating a custom cable assembly configuration, Fairview Microwave has a connector solution to meet your needs. Fairview Microwave also has the expertise to build your custom cable assemblies for you and ship them same-day.



Configuration:

- N Male Connector
- MIL-STD-348
- 50 Ohms
- Straight Body Geometry
- RG213, RG214, RG225 Interface Type
- Clamp/Solder Attachment

Electrical Specifications

Description	Min	Typ	Max	Units
Frequency Range	DC		11	GHz
Operating Voltage (AC)			1,000	Vrms
DWV (AC)			2,500	Vrms
Insulation Resistance	5,000			MOhms

Features:

- Operating Frequency of 11 GHz Max.
- Gold Plated Brass Contact
- Contact plating according to MIL-G-45204

Mechanical Specifications

Size	
Length	1.5 in [38.1 mm]
Width/Dia.	0.781 in [19.84 mm]
Weight	0.1127 lbs [51.12 g]

Material Specifications

Description	Material	Plating
Contact	Brass	Gold MIL-G-45204
Insulation	PTFE	
Body	Brass	Silver QQ-S-365
Coupling Nut	Brass	Silver QQ-S-365

Applications:

- General Purpose Test
- Custom Cable Assemblies

Environmental Specifications

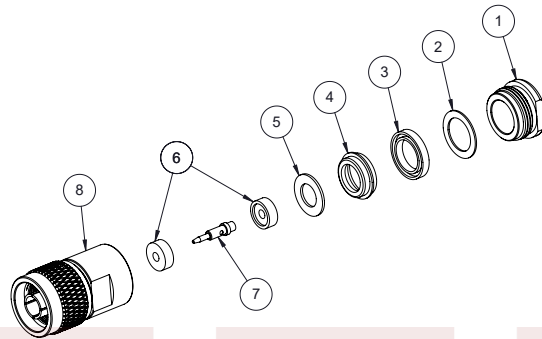
Compliance Certifications (see [product page](#) for current document)

Plotted and Other Data

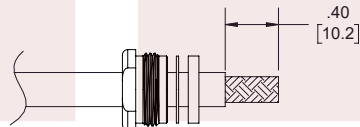
Notes:

Fairview Microwave
 301 Leora Ln., Suite 100
 Lewisville, TX 75056
 Tel: 1-800-715-4396 / (972) 649-6678
 Fax: (972) 649-6689
www.fairviewmicrowave.com
sales@fairviewmicrowave.com

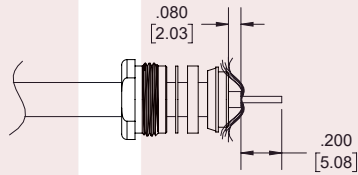
Assembly Instruction



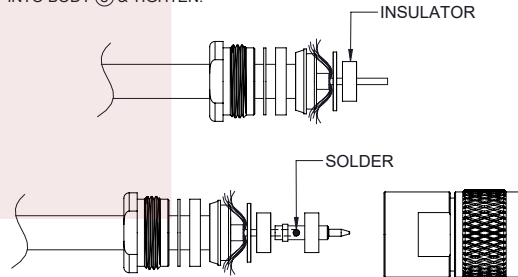
1. SLIDE CLAMP NUT ①, THIN-WASHER ② & GASKET ③ OVER CABLE. STRIP CABLE AS SHOWN. DO NOT NICK BRAID WHILE CUTTING JACKET. TAPER END OF BRAID TO PERMIT ASSEMBLY OF CLAMP.



2. SLIDE BRAID CLAMP ④ OVER BRAID & SEAT AGAINST CABLE. FORM BRAID OVER CLAMP NUT. TRIM BRAID BACK TO SHOULDER. CUT DIELECTRIC & CENTER CONDUCTOR TO DIMENSION SHOWN. DO NOT NICK CENTER CONDUCTOR.



3. SLIDE THICK-WASHER ⑤ AND HALF-INSULATOR ⑥ AGAINST THE BRAID CLAMP AND HOLD BRAID IN PLACE. SOLDER CONTACT ⑦ TO CENTER CONDUCTOR. REMOVE EXCESS SOLDER. DO NOT OVER HEAT DIELECTRIC. SLIDE A REST HALF-INSULATOR ⑥ TO LOCKED CONTACT. INSERT CABLE ASSEMBLY INTO BODY ⑧ & TIGHTEN.



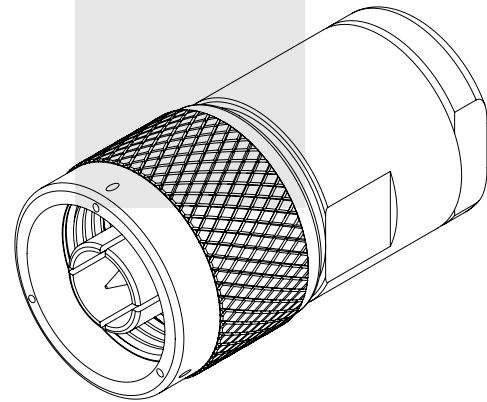
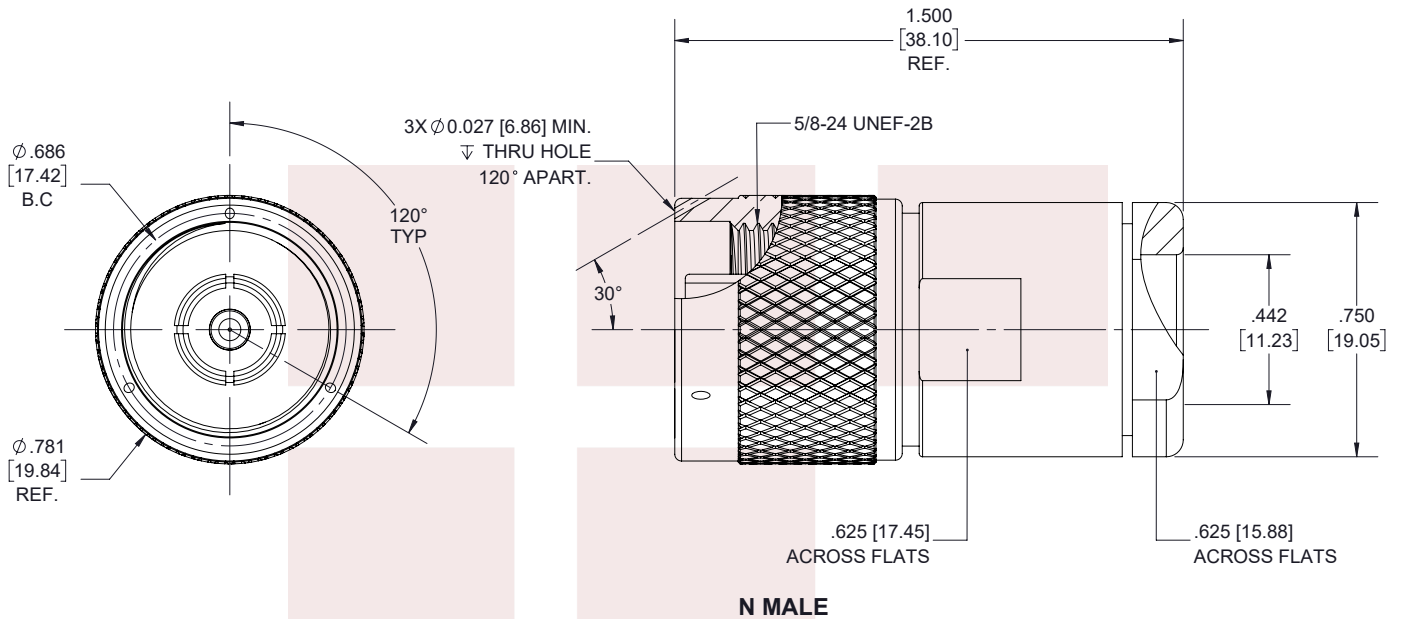
M39012/01-0005 N Male Connector Clamp Attachment For RG213, RG214, RG225 Cable from Fairview Microwave is in-stock and available to ship same-day. All of our RF/microwave products are available off-the-shelf from our ISO 9001:2008 certified facilities in Allen, Texas. Fairview Microwave is RF on-demand.

For additional information on this product, please click the following link: [M39012/01-0005 N Male Connector Clamp Attachment For RG213, RG214, RG225 Cable M39012/01-0005](#)

URL: <https://www.fairviewmicrowave.com/n-male-standard-rg213-rg214-rg225-connector-m39012-01-0005-p.aspx>

The information contained in this document is accurate to the best of our knowledge and representative of the part described herein. It may be necessary to make modifications to the part and/or the documentation of the part, in order to implement improvements. Fairview Microwave reserves the right to make such changes as required. Unless otherwise stated, all specifications are nominal. Fairview Microwave does not make any representation or warranty regarding the suitability of the part described herein for any particular purpose, and Fairview Microwave does not assume any liability arising out of the use of any part or documentation.





STANDARD TOLERANCES

.X ±0.2
 .XX ±0.01
 .XXX ±0.005

*STANDARD TOLERANCES APPLY ONLY TO DIMENSIONS IN INCHES

NOTES:
 1. UNLESS OTHERWISE SPECIFIED ALL DIMENSIONS ARE NOMINAL.
 2. ALL SPECIFICATIONS ARE SUBJECT TO CHANGE WITHOUT NOTICE AT ANY TIME.
 3. DIMENSIONS ARE IN INCHES [mm].

TITLE M39012/01-0005 N Male Connector Clamp Attachment For RG213, RG214, RG225 Cable	DWG NO M39012/01-0005		CAGE CODE 3FKR5			
	CAD FILE 10/02/18	SHEET 1 OF 1	SCALE N/A	SIZE A	7361	