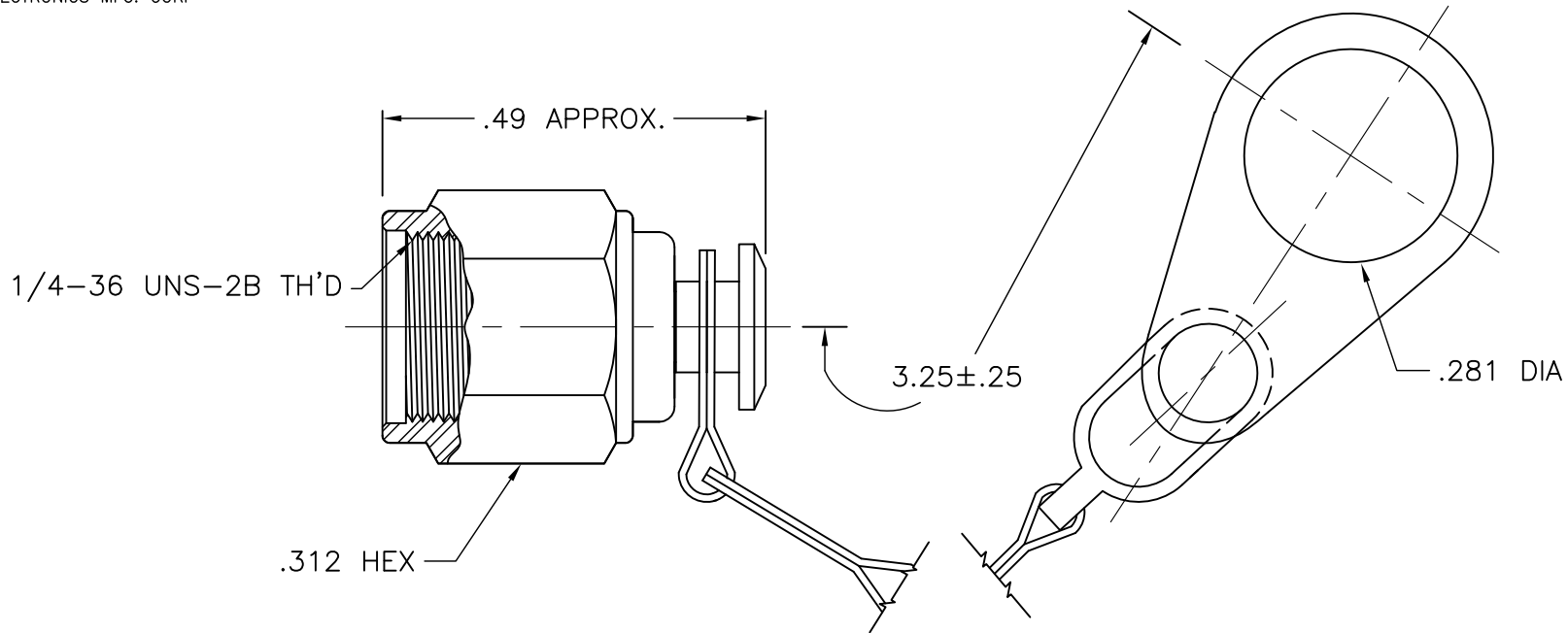


1332-000-K00B



NOTES:

1. MATERIAL: LOCKING RING - PHOSPHOR BRONZE PER QQ-B-750
GASKET - SILICONE RUBBER PER ZZ-R-765
ALL OTHER PARTS - CORROSION RESISTANT STEEL PER ASTM A582
2. FINISHES: LOCKING RING - NOT PLATED
ALL OTHER METAL PARTS - PASSIVATE PER QQ-P-35

M39012/25-3025

DELTA ELECTRONICS MFG. CORP. Beverly, MA 01915

TITLE:
DUST CAP FOR SMA JACK - SAFETY CHAIN

UNLESS OTHERWISE SPECIFIED: TOLERANCES: 3 PLACES = ±.005, 2 PLACES = ±.02, ANGLES = ±1/2°, SURFACE FINISH = 63	-	OUTLINE	7/24/08
	ALT.	REVISIONS	DATE

Drawn by MR	Scale 4/1	Ckd. by BJM	Engr Appd MR	FILE NAME: 1332000K00B-000T
7/24/08				

THESE DRAWINGS AND SPECIFICATIONS ARE THE PROPERTY OF DELTA ELECTRONICS MFG CORP. AND SHALL NOT BE REPRODUCED, OR COPIED OR USED AS THE BASIS FOR THE MANUFACTURE OR SALE OF APPARATUS OR DEVICES WITHOUT THEIR EXPRESS WRITTEN CONSENT.

CODE IDENT.-00795

1332-000-K00B