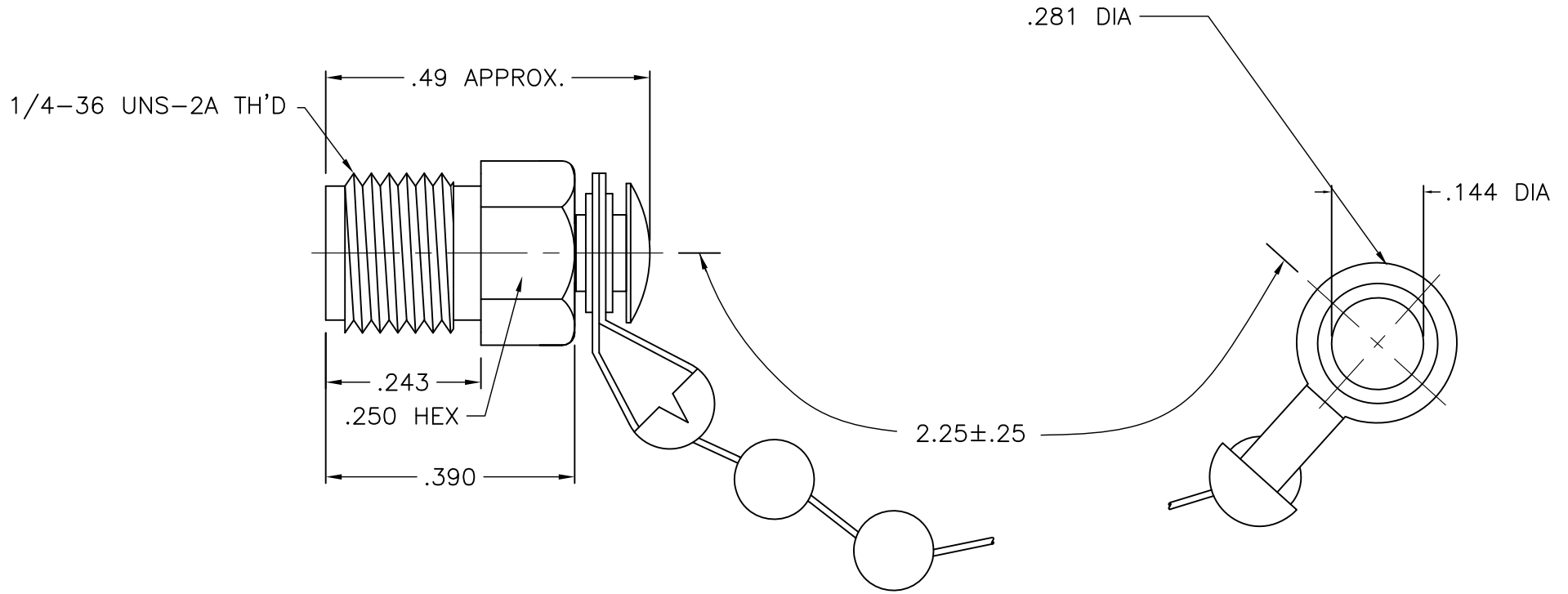


1333-000-K00E



NOTES:

1. MATERIAL: COUPLINGS, CHAIN & RIVET - BRASS PER ASTM B16
BODY - CORROSION RESISTANT STEEL PER ASTM A582
2. FINISHES: COUPLINGS, CHAIN AND RIVET - NICKEL PLATE PER QQ-N-290
BODY - PASSIVATE PER QQ-P-35

M39012/25-3026

DELTA ELECTRONICS MFG. CORP. Beverly, MA 01915

TITLE:
DUST CAP FOR SMA PLUG - BEAD CHAIN

UNLESS OTHERWISE SPECIFIED: TOLERANCES: 3 PLACES = ±.005, 2 PLACES = ±.02, ANGLES = ±1/2°, SURFACE FINISH = 63	-	OUTLINE	11/17/08	Drawn by BJM 11/17/08	Scale 4/1	Ckd. by BJM	Engr Appd MR	FILE NAME: 1333000K00E-000T
	ALT.	REVISIONS	DATE					

THESE DRAWINGS AND SPECIFICATIONS ARE THE PROPERTY OF DELTA ELECTRONICS MFG CORP. AND SHALL NOT BE REPRODUCED, OR COPIED OR USED AS THE BASIS FOR THE MANUFACTURE OR SALE OF APPARATUS OR DEVICES WITHOUT THEIR EXPRESS WRITTEN CONSENT.

CODE IDENT.-00795

1333-000-K00E