

M39012/56-3006 RA SMA Male (Plug) Connector For M17/93-RG178 Cable, Crimp/Solder

RA SMA male connector with crimp/solder attachment for M17/93-RG178, part number M39012/56-3006, from Fairview Microwave is in-stock and ships same day. This SMA male connector operates up to a maximum frequency of 12.4 GHz and offers good VSWR of 1.3:1. Its right angle body geometry facilitates connections in tight spaces.

Fairview's RA SMA male connector M39012/56-3006 datasheet specifications and outline drawing are shown in this PDF below. Our extensive offering of RF, microwave and millimeter wave connectors allows designers to configure and customize their signal connections however they like. From providing an I/O for a board design to creating a custom cable assembly configuration, Fairview Microwave has a connector solution to meet your needs. Fairview Microwave also has the expertise to build your custom cable assemblies for you and ship them same-day.

Electrical Specifications

Description	Min	Typ	Max	Units
Frequency Range	DC		12.4	GHz
VSWR			1.3:1	
Insertion Loss			0.53	dB
DWV (AC)			500	Vrms

Mechanical Specifications

Weight	0.0175 lbs [7.94 g]
Mating Cycles	500 Cycles
Mating Torque	8 in-lbs [0.90 Nm]

Material Specifications

Description	Material	Plating
Contact	Brass	Gold
Insulation	PTFE	
Outer Conductor	Passivated Stainless Steel	Gold
Body	Passivated Stainless Steel	Gold
Coupling Nut	Passivated Stainless Steel	
Lock Ring	Beryllium Copper	

Environmental Specifications

Temperature

Operating Range	-65 to +165 deg C
Shock	MIL-STD-202 Method 213 Condition I
Vibration	MIL-STD-202 Method 204 Condition D



Configuration:

- SMA Male Connector
- 50 Ohms
- Right Angle Body Geometry
- M17/93-RG178 Interface Type
- Crimp/Solder Attachment
- 5/16 inch Hex

Features:

- Operating Frequency of 12.4 GHz Max.
- Good VSWR of 1.3:1
- Gold Plated Brass Contact

Applications:

- General Purpose Test
- Custom Cable Assemblies

Fairview Microwave
301 Leora Ln., Suite 100
Lewisville, TX 75056
Tel: 1-800-715-4396 / (972) 649-6678
Fax: (972) 649-6689
www.fairviewmicrowave.com
sales@fairviewmicrowave.com

Salt Spray

MIL-STD-202 Method 101 Condition B

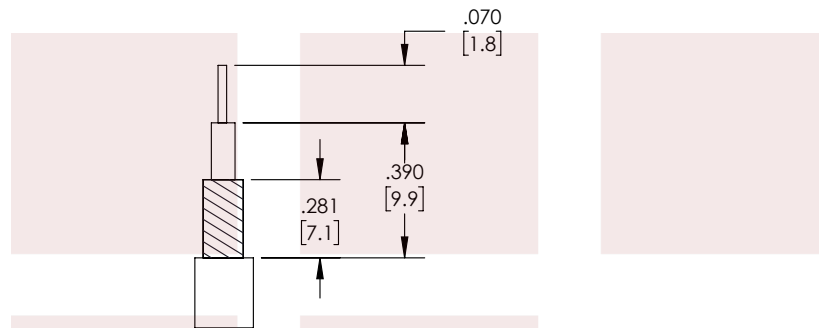
Compliance Certifications (see [product page](#) for current document)

Plotted and Other Data

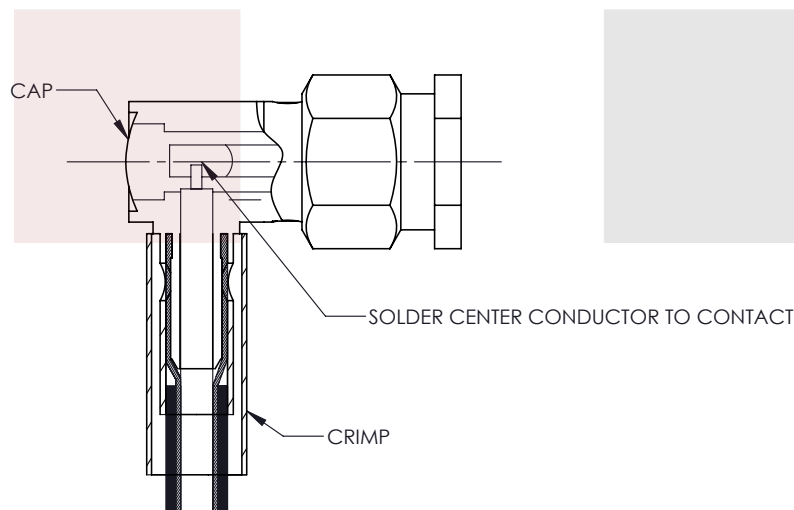
Notes:

Assembly Instruction

1. STRIP CABLE AS SHOWN,
DO NOT NICK CENTER CONDUCTOR.



2. INSERT CABLE INTO REAR OF BODY, WITH ALL BRAID WIRES ON OUTSIDE OF CRIMP TAIL. PUSH CABLE IN UNTIL END OF BRAID TOUCHES CONNECTOR BODY SHOULDER AND CENTER CONDUCTOR RESTS IN CONTACT SLOT.
SLIDE CRIMP SLEEVE FORWARD UNTIL WITH BODY AND CRIMP
SOLDER CENTER CONDUCTOR INTO CONTACT SLOT, ASSEMBLE INSULATOR DISC (IF SUPPLIED),
THEN PRESS CAP INTO BODY UNTIL SEATED OR SCREW INTO PLACE.



M39012/56-3006 RA SMA Male (Plug) Connector For M17/93-RG178 Cable, Crimp/Solder from Fairview Microwave is in-stock and available to ship same-day. All of our RF/microwave products are available off-the-shelf from our ISO 9001:2008 certified facilities in Lewisville, Texas. Fairview Microwave is RF on-demand.

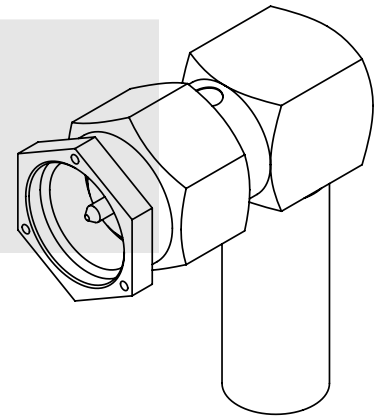
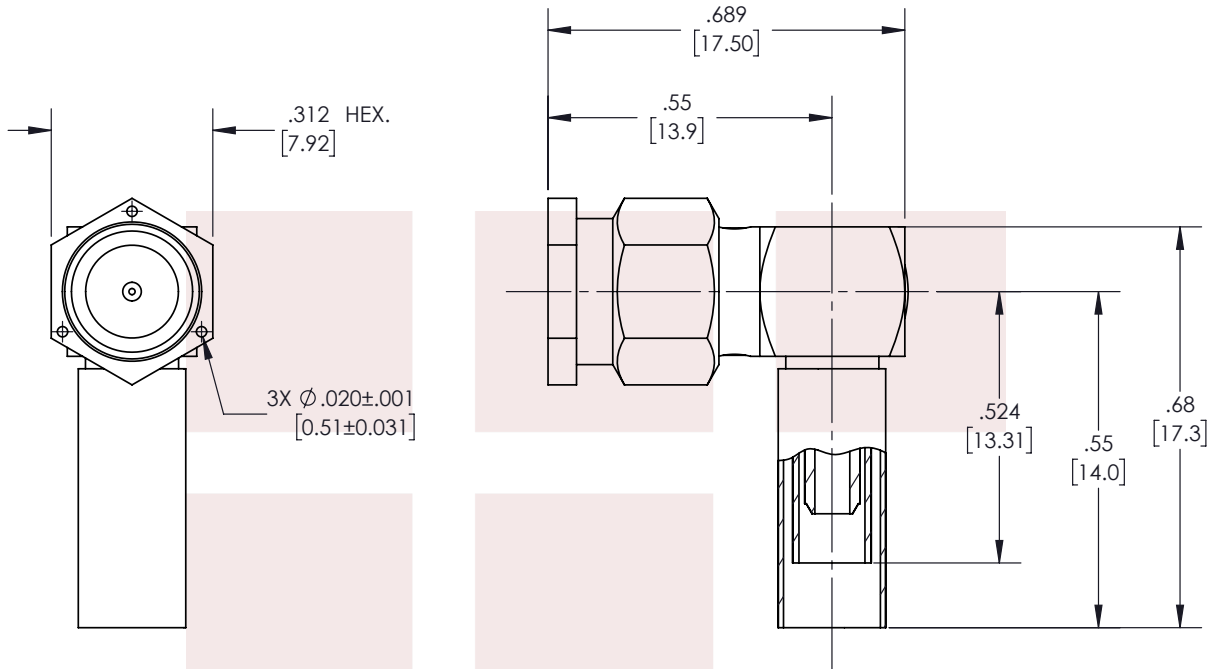
For additional information on this product, please click the following link: [M39012/56-3006 RA SMA Male \(Plug\) Connector For M17/93-RG178 Cable, Crimp/Solder M39012/56-3006](#)

URL: <https://www.fairviewmicrowave.com/sma-male-standard-m17-93-rg178-connector-m39012-56-3006-p.aspx>

The information contained in this document is accurate to the best of our knowledge and representative of the part described herein. It may be necessary to make modifications to the part and/or the documentation of the part, in order to implement improvements. Fairview Microwave reserves the right to make such changes as required. Unless otherwise stated, all specifications are nominal. Fairview Microwave does not make any representation or warranty regarding the suitability of the part described herein for any particular purpose, and Fairview Microwave does not assume any liability arising out of the use of any part or documentation.



REVISIONS			
REV.	DESCRIPTION	DATE	APPROVED
A	PCR M39012/56-3006 20210625	11/08/2021	SRAUTUS



THESE COMMODITIES, TECHNOLOGY OR SOFTWARE WERE EXPORTED FROM THE UNITED STATES IN ACCORDANCE WITH THE EXPORT ADMINISTRATION REGULATIONS. DIVERSION CONTRARY TO U.S. LAW PROHIBITED.

TITLE

M39012/56-3006 RA SMA Male (Plug) Connector For M17/93-RG178 Cable, Crimp/Solder

UNLESS OTHERWISE SPECIFIED LEADING DIMENSIONS ARE INCHES
DIMENSIONS IN [] ARE MILLIMETERS

TOLERANCES:

.X = ±.2 [5.08] FRACTIONS ± 1/32
.XX = ±.02 [.51] ANGLES ± 1°
.XXX = ±.005 [.13]

CABLE LENGTH (L) TOLERANCES:

L ≤ 12 [305] = +1 [25] / -0
12 [305] < L ≤ 60 [1524] = +2 [51] / -0
60 [1524] < L ≤ 120 [3048] = +4 [102] / -0
120 [3048] < L ≤ 300 [7620] = +6 [152] / -0
300 [7620] < L = +5%L / -0

THIRD-ANGLE PROJECTION



THE INFORMATION AND DESIGN IN THIS DOCUMENT IS THE PROPERTY OF FAIRVIEW MICROWAVE CORPORATION. ALL RIGHTS RESERVED.

SHEET 1 OF 2

ALL DIMENSIONS SHOWN ARE FOR REFERENCE ONLY.

SCALE N/A

SIZE A	CAGE CODE 3FKR5	DRAWN BY MVEERAPPAN	ITEM NO. M39012_56-3006	REV A
-----------	--------------------	------------------------	----------------------------	----------

T-Rev.D