

M39012/80-3007 RA SMA Male Connector Solder Attachment For RG405 Cable

RA SMA male connector with solder/solder attachment for RG405, part number M39012/80-3007, from Fairview Microwave is in-stock and ships same day. This SMA male connector operates up to a maximum frequency of 12.4 GHz and offers excellent VSWR of 1.22:1. Its right angle body geometry facilitates connections in tight spaces.

Fairview's RA SMA male connector M39012/80-3007 datasheet specifications and outline drawing are shown in this PDF below. Our extensive offering of RF, microwave and millimeter wave connectors allows designers to configure and customize their signal connections however they like. From providing an I/O for a board design to creating a custom cable assembly configuration, Fairview Microwave has a connector solution to meet your needs. Fairview Microwave also has the expertise to build your custom cable assemblies for you and ship them same-day.

Electrical Specifications

| Description | Min | Typ | Max | Units |
|--------------------------------|-------|-----|--------|-------|
| Frequency Range | DC | | 12.4 | GHz |
| VSWR | | | 1.22:1 | |
| Insertion Loss | | | 0.18 | dB |
| Operating Voltage (AC) | | | 335 | Vrms |
| DWV (AC) | | | 1,000 | Vrms |
| High Potential Voltage @ 5 MHz | | | 670 | Vrms |
| Inner Cond. DC Resistance | | | 4 | mOhms |
| Outer Cond. DC Resistance | | | 2 | mOhms |
| Insulation Resistance | 5,000 | | | MOhms |
| RF Leakage | 90 | | | dB |

Mechanical Specifications

| | |
|---------------|---------------------|
| Size | |
| Length | 0.738 in [18.75 mm] |
| Width/Dia. | 0.95 in [24.13 mm] |
| Height | 0.312 in [7.92 mm] |
| Weight | 0.01235 lbs [5.6 g] |
| Mating Cycles | 500 Cycles |

Material Specifications

| Description | Material | Plating |
|--------------|----------------------------|---------------------|
| Contact | Beryllium Copper | Gold MIL-G-45204 |
| Insulation | PTFE | |
| Body | Stainless Steel | Gold MIL-G-45204 |
| Coupling Nut | Passivated Stainless Steel | |



Configuration:

- SMA Male Connector
- 50 Ohms
- Right Angle Body Geometry
- RG405 Interface Type
- Solder/Solder Attachment
- 5/16 inch Hex

Features:

- Operating Frequency of 12.4 GHz Max.
- Excellent VSWR of 1.22:1
- Gold Plated Beryllium Copper Contact
- Contact plating according to MIL-G-45204

Applications:

- General Purpose Test
- Custom Cable Assemblies

Fairview Microwave
 301 Leora Ln., Suite 100
 Lewisville, TX 75056
 Tel: 1-800-715-4396 / (972) 649-6678
 Fax: (972) 649-6689
www.fairviewmicrowave.com
sales@fairviewmicrowave.com

Environmental Specifications

Temperature

| | |
|-------------------|---|
| Operating Range | -65 to +105 deg C |
| Shock | MIL-STD-202 Method 213 Condition I |
| Vibration | MIL-STD-202 Method 204 Condition D |
| Altitude | MIL-STD-202 Method 106 Condition C (70,000 ft) (250 VRMS) |
| Temperature Cycle | MIL-STD-202 Method 107 Condition B (-65°C to 115°C) |
| Salt Spray | MIL-STD-202 Method 101 Condition B |

Compliance Certifications (see [product page](#) for current document)

Plotted and Other Data

Notes:

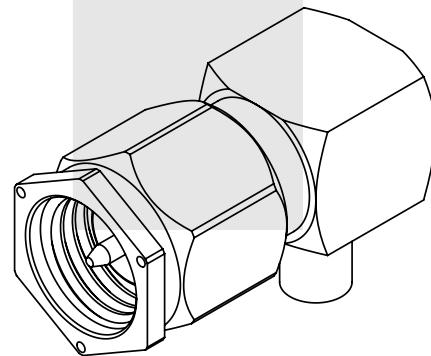
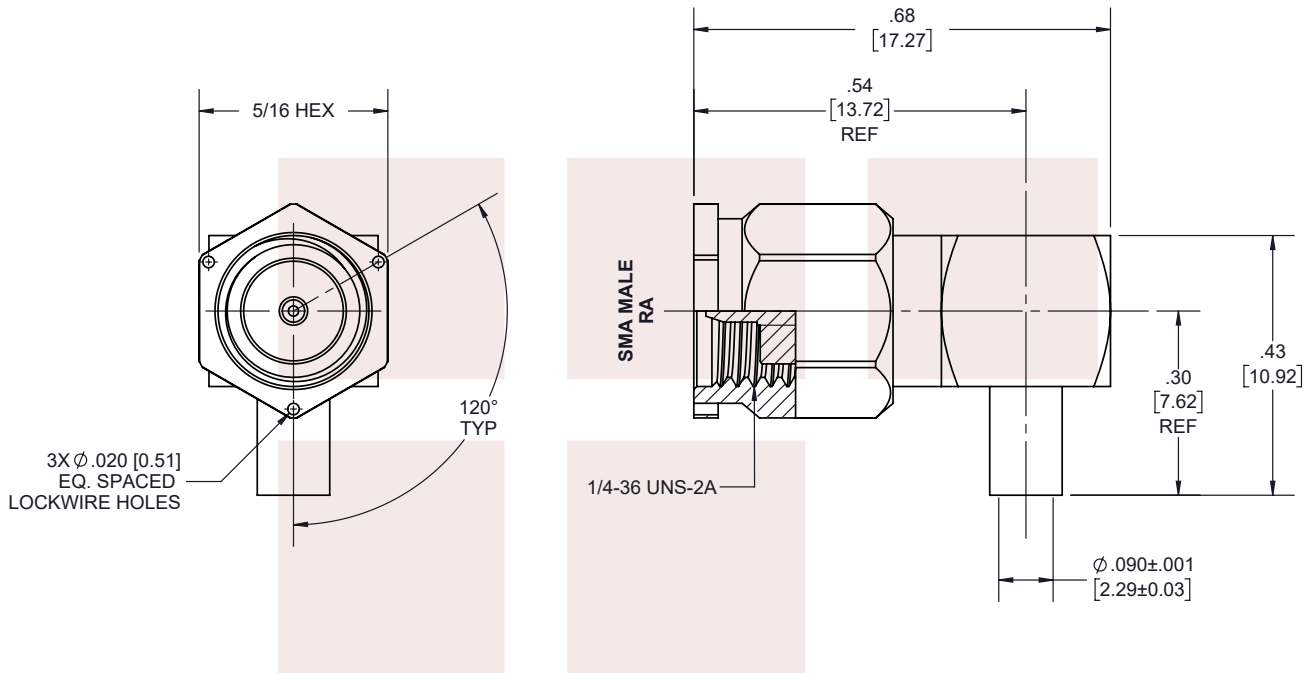
M39012/80-3007 RA SMA Male Connector Solder Attachment For RG405 Cable from Fairview Microwave is in-stock and available to ship same-day. All of our RF/microwave products are available off-the-shelf from our ISO 9001:2008 certified facilities in Lewisville, Texas. Fairview Microwave is RF on-demand.

For additional information on this product, please click the following link: [M39012/80-3007 RA SMA Male Connector Solder Attachment For RG405 Cable M39012/80-3007](#)

URL: <https://www.fairviewmicrowave.com/sma-male-rg405-connector-m39012-80-3007-p.aspx>

The information contained in this document is accurate to the best of our knowledge and representative of the part described herein. It may be necessary to make modifications to the part and/or the documentation of the part, in order to implement improvements. Fairview Microwave reserves the right to make such changes as required. Unless otherwise stated, all specifications are nominal. Fairview Microwave does not make any representation or warranty regarding the suitability of the part described herein for any particular purpose, and Fairview Microwave does not assume any liability arising out of the use of any part or documentation.

| REVISIONS | | | |
|-----------|--------------------|-----------|----------|
| REV. | DESCRIPTION | DATE | APPROVED |
| A | PCR M39012/80-3007 | 12/2/2020 | S.ELLIS |



THESE COMMODITIES, TECHNOLOGY OR SOFTWARE WERE EXPORTED FROM THE UNITED STATES IN ACCORDANCE WITH THE EXPORT ADMINISTRATION REGULATIONS. DIVERSION CONTRARY TO U.S. LAW PROHIBITED.

TITLE
M39012/80-3007 RA SMA Male Connector Solder Attachment For RG405 Cable

UNLESS OTHERWISE SPECIFIED LEADING DIMENSIONS ARE INCHES
DIMENSIONS IN [] ARE MILLIMETERS

| | | | |
|--------------------|------------------|---|--|
| TOLERANCES: | | CABLE LENGTH (L) TOLERANCES: | |
| .X = ±.2 [5.08] | FRACTIONS ± 1/32 | L ≤ 12 [305] = +1 [25] / -0 | |
| .XX = ±.02 [.51] | | 12 [305] < L ≤ 60 [1524] = +2 [51] / -0 | |
| .XXX = ±.005 [.13] | ANGLES ± 1° | 60 [1524] < L ≤ 120 [3048] = +4 [102] / -0 | |
| | | 120 [3048] < L ≤ 300 [7620] = +6 [152] / -0 | |
| | | 300 [7620] < L = +5%L / -0 | |

THIRD-ANGLE PROJECTION
THE INFORMATION AND DESIGN IN THIS DOCUMENT IS THE PROPERTY OF FAIRVIEW MICROWAVE CORPORATION. ALL RIGHTS RESERVED.

| | | | | | | |
|--|-----------|----------|----------------|-----|-------|-----|
| ALL DIMENSIONS SHOWN ARE FOR REFERENCE ONLY. | | | | | SCALE | N/A |
| SIZE | CAGE CODE | DRAWN BY | ITEM NO. | REV | | |
| A | 3FKR5 | K.DANG | M39012/80-3007 | A | | |

T-Rev.D