

M55339/03-00027 RA N Male to N Female Adapter

Configuration

Connector 1	N Male
Connector 2	N Female
Impedance	50 Ohms
Body Style	Right Angle



Mechanical Specifications

Size

Length	1.375 in [34.93 mm]
Width	0.781 in [19.84 mm]
Height	1.291 in [32.79 mm]

Material Specifications

Description	Connector 1	Connector 2
Type	N Male	N Female
Contact Material and Plating	Beryllium Copper, Gold	Beryllium Copper, Gold
Contact Plating Specification	MIL-G-45204	MIL-G-45204
Insulation Material	Teflon	Teflon
Body Material and Plating	Brass, Silver	Brass, Silver
Body Plating Specification	QQ-N-290	QQ-N-290

Compliance Certifications (visit www.FairviewMicrowave.com for current document)

Not RoHS Compliant	
REACH Compliant	12/17/2014

Plotted and Other Data

Notes:

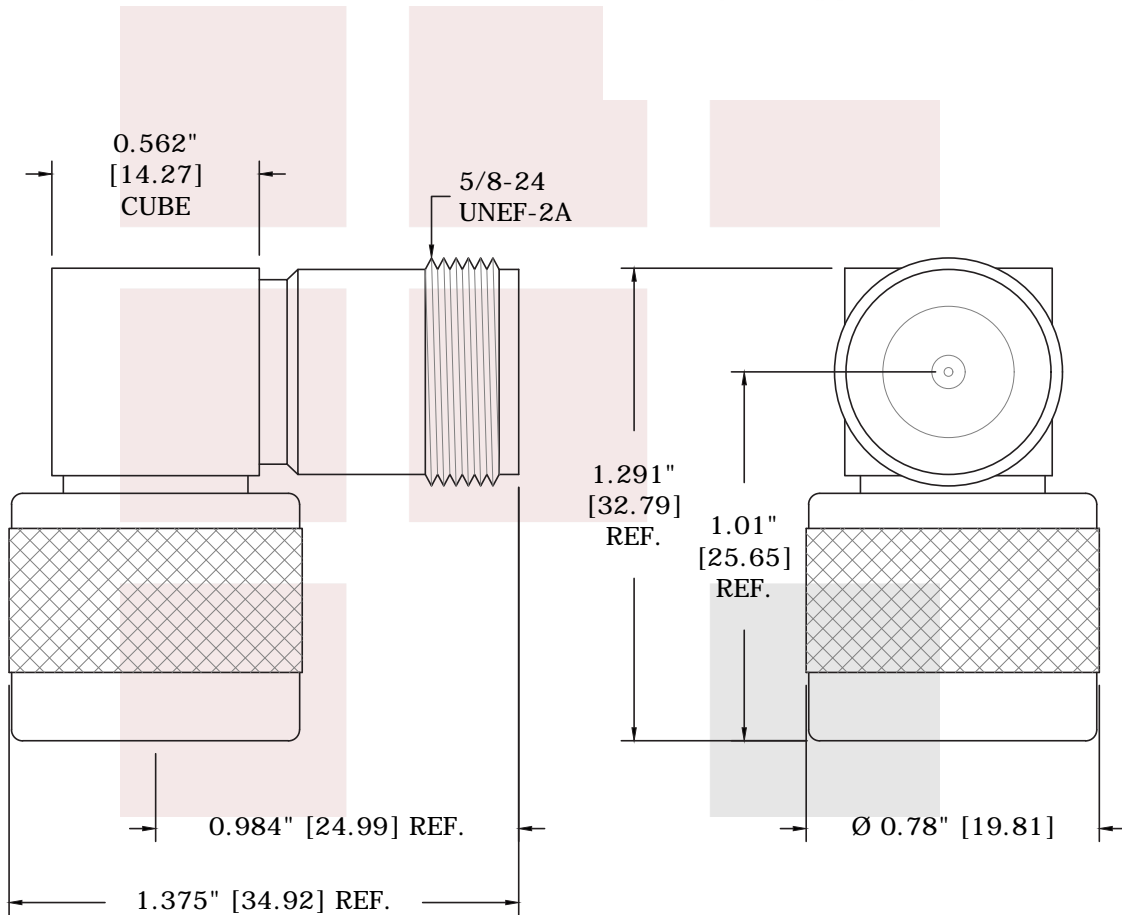
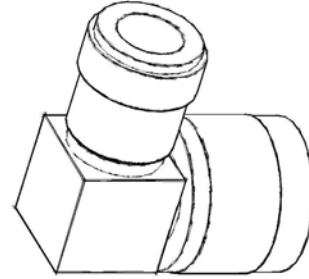
M55339/03-00027 RA N Male to N Female Adapter from Fairview Microwave is in-stock and available to ship same-day. All of our RF/microwave products are available off-the-shelf from our ISO 9001:2008 certified facilities in Allen, Texas. Fairview Microwave is RF on-demand.

For additional information on this product, please click the following link:
[M55339/03-00027 RA N Male to N Female Adapter M55339/03-00027](http://www.fairviewmicrowave.com/ra-n-male-n-female-adapter-m55339-03-00027)

URL: <http://www.fairviewmicrowave.com/ra-n-male-n-female-adapter-m55339-03-00027-p.aspx>

The information contained in this document is accurate to the best of our knowledge and representative of the part described herein. It may be necessary to make modifications to the part and/or the documentation of the part, in order to implement improvements. Fairview Microwave reserves the right to make such changes as required. Unless otherwise stated, all specifications are nominal. Fairview Microwave does not make any representation or warranty regarding the suitability of the part described herein for any particular purpose, and Fairview Microwave does not assume any liability arising out of the use of any part or documentation.

Fairview Microwave
 1130 Junction Dr. #100
 Allen, TX 75013
 Tel: 1-800-715-4396 / (972) 649-6678
 Fax: (972) 649-6689
www.fairviewmicrowave.com
sales@fairviewmicrowave.com



FAIRVIEW MICROWAVE INC. ALLEN, TX 75013 WWW.FAIRVIEWMICROWAVE.COM		NOTES: 1. UNLESS OTHERWISE SPECIFIED ALL DIMENSIONS ARE NOMINAL. 2. ALL SPECIFICATIONS ARE SUBJECT TO CHANGE WITHOUT NOTICE AT ANY TIME. 3. DIMENSIONS ARE IN INCHES [mm].			
TITLE M55339/03-00027 RA N Male to N Female Adapter		DWG NO M5539/03-00027		CAGE CODE 3FKR5	
CAD FILE	060215	SHEET	SCALE	N/A	SIZE A 5568