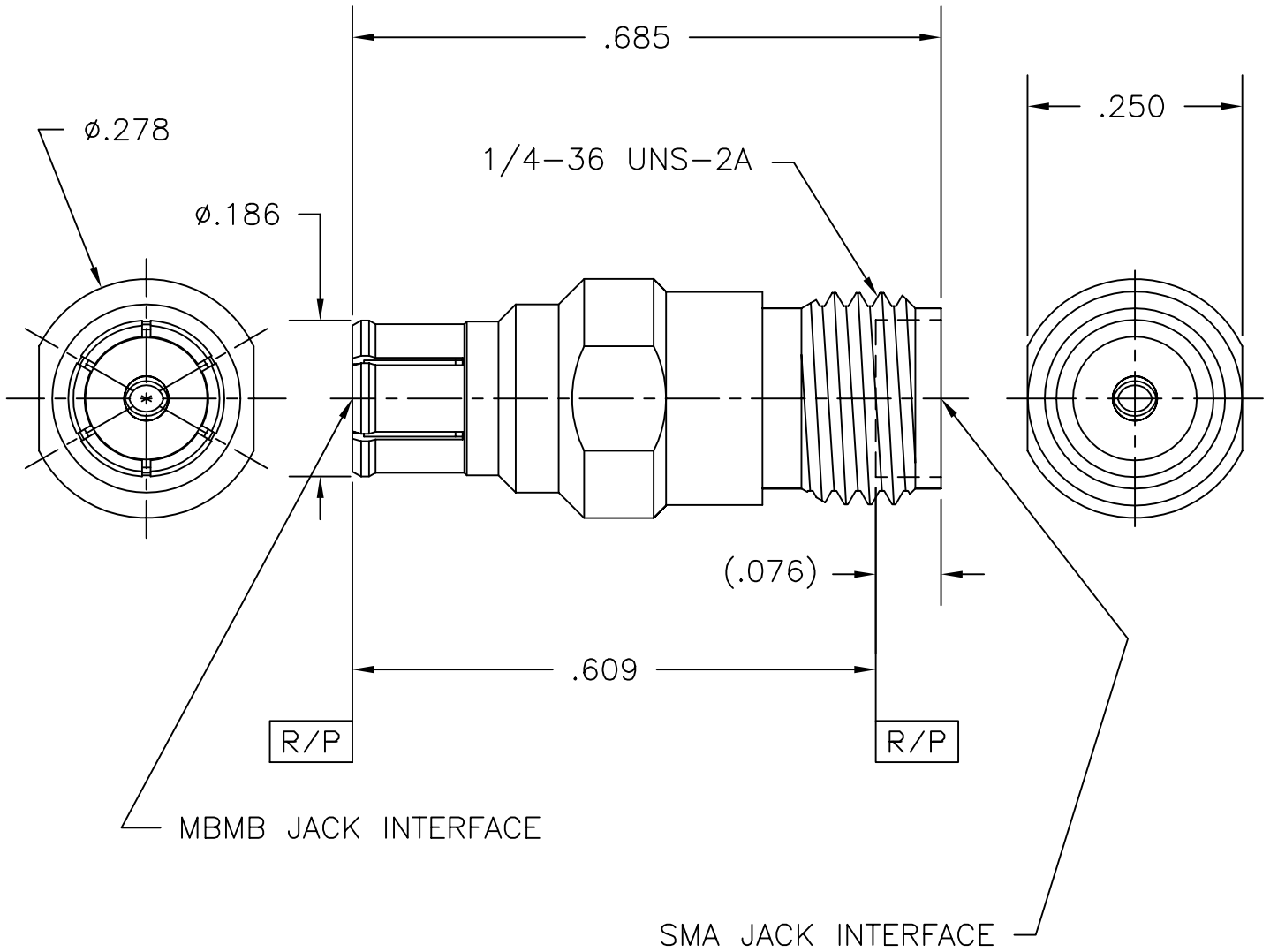


| COMPONENT      | MATERIAL AND FINISH                           |  |
|----------------|---|--|
| BODY & CONTACT | BeCu, ASTM B196,<br>UNS C17300                | GOLD PLATE, MIL-G-45204,<br>TYPE I, GRADE C, CLASS 1 |
| INSULATOR      | PTFE, ASTM D1710,<br>TYPE I, GRADE 1, CLASS A |  |

PART NO. MADP-6635

OUTLINE DRAWING



MICRO-MODE PRODUCTS, INC.  
The Reliable Connection to the Future

El Cajon, CA 92020  
ph 619.449.3844  
www.micromode.com

CAGE CODE  
15907

ASSY PROCEDURES: N/A

INSERTION/EXTRACTION TOOL: N/A

MBMB(F) TO SMA(F) ADAPTER

PART NO.

MADP-6635

REVISION

A

SHEET 1 OF 1 | OL6635 11-29-99 | JC DR