

SMA Directional Coupler 20 dB 100 MHz Rated To 3 Watts

Electrical Specifications

Description	Min	Typ	Max	Units
Frequency Range	0.5		100	MHz
Impedance		50		Ohms
Coupling		20 ±0.5		dB
Freq. Sensitivity			±0.25	dB
Insertion Loss			0.4	dB
Directivity	25			dB
Main Line VSWR			1.2:1	
Input Power (CW)			3	Watts



Mechanical Specifications

Size

Length	0.9 in [22.86 mm]
Width/Dia.	0.9 in [22.86 mm]
Height	0.5 in [12.7 mm]
Weight	0.0525 lbs [23.81 g]

Configuration

Input Connector	SMA Female
Output Connector	SMA Female
Coupled Connectors	SMA Female

Environmental Specifications

Temperature

Operating Range	-25 to +80 deg C
-----------------	------------------

Compliance Certifications (see [product page](#) for current document)

Plotted and Other Data

Notes:

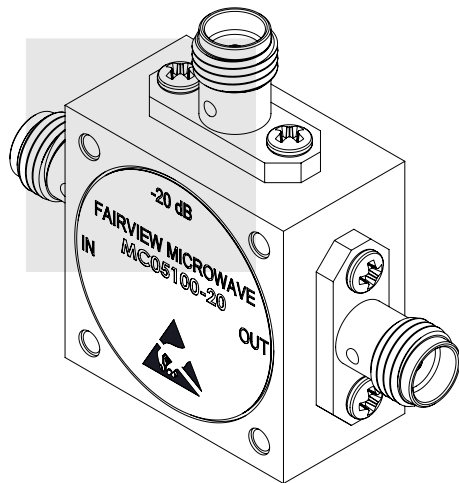
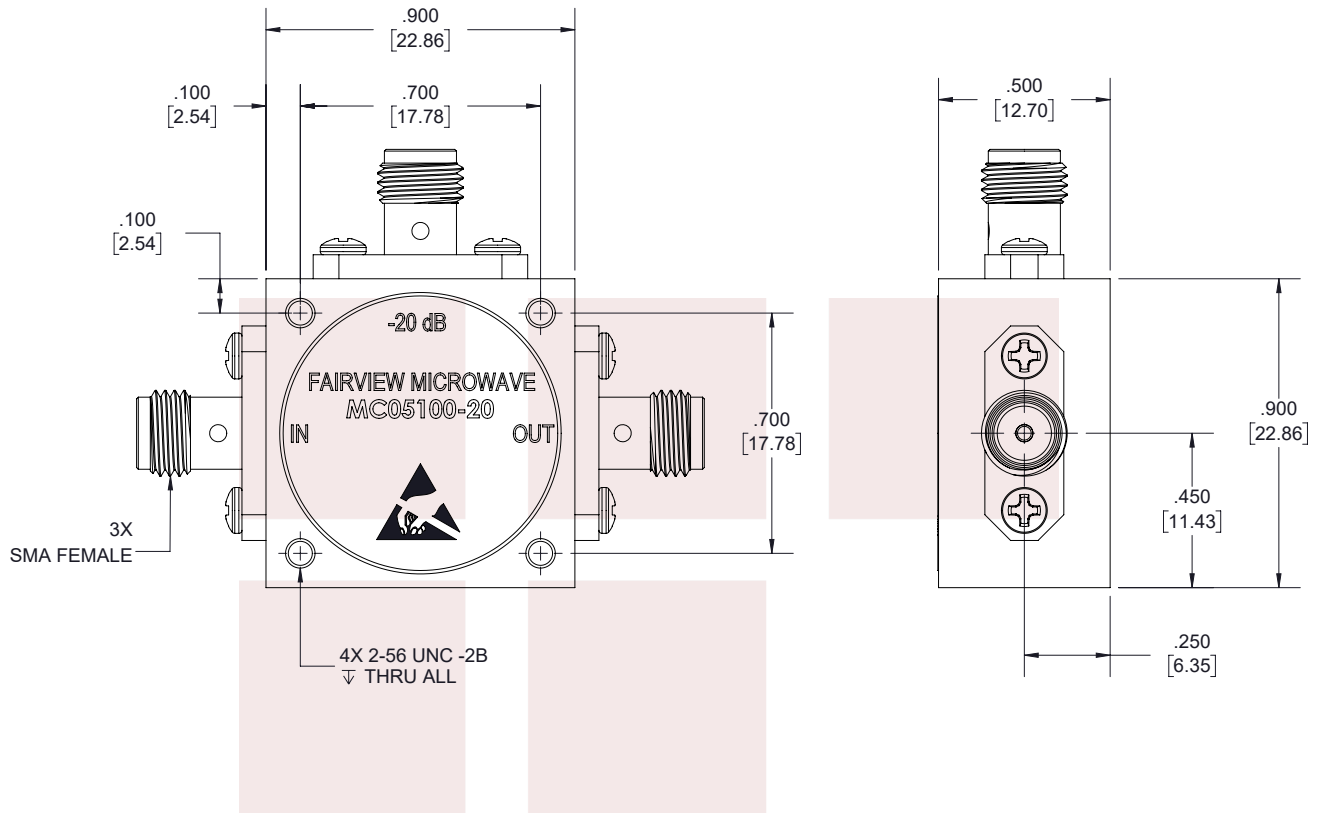
SMA Directional Coupler 20 dB 100 MHz Rated To 3 Watts from Fairview Microwave is in-stock and available to ship same-day. All of our RF/microwave products are available off-the-shelf from our ISO 9001:2008 certified facilities in Allen, Texas. Fairview Microwave is RF on-demand.

For additional information on this product, please click the following link: [SMA Directional Coupler 20 dB 100 MHz Rated To 3 Watts MC05100-20](#)

URL: <https://www.fairviewmicrowave.com/sma-directional-coupler-20-db-100-mhz-mc05100-20-p.aspx>

The information contained in this document is accurate to the best of our knowledge and representative of the part described herein. It may be necessary to make modifications to the part and/or the documentation of the part, in order to implement improvements. Fairview Microwave reserves the right to make such changes as required. Unless otherwise stated, all specifications are nominal. Fairview Microwave does not make any representation or warranty regarding the suitability of the part described herein for any particular purpose, and Fairview Microwave does not assume any liability arising out of the use of any part or documentation.

Fairview Microwave
 301 Leora Ln., Suite 100
 Lewisville, TX 75056
 Tel: 1-800-715-4396 / (972) 649-6678
 Fax: (972) 649-6689
www.fairviewmicrowave.com
sales@fairviewmicrowave.com



STANDARD TOLERANCES	
.X	±0.2
.XX	±0.01
.XXX	±0.005

*STANDARD TOLERANCES APPLY ONLY TO DIMENSIONS IN INCHES

FAIRVIEW MICROWAVE INC. ALLEN, TX 75013 WWW.FAIRVIEWMICROWAVE.COM		NOTES: 1. UNLESS OTHERWISE SPECIFIED ALL DIMENSIONS ARE NOMINAL. 2. ALL SPECIFICATIONS ARE SUBJECT TO CHANGE WITHOUT NOTICE AT ANY TIME. 3. DIMENSIONS ARE IN INCHES [mm].				
TITLE SMA Directional Coupler 20 dB 100 MHz Rated To 3 Watts		DWG NO MC05100-20		CAGE CODE 3FKR5		
CAD FILE	022018	SHEET	1 OF 1	SCALE	N/A	SIZE A 7361