

**SMA Directional Coupler 30 dB Coupled Port From  
 500 MHz to 12.4 GHz Rated To 30 Watts**
**Electrical Specifications**

Description	Min	Typ	Max	Units
Frequency Range	0.5		12.4	GHz
Impedance		50		Ohms
Coupling		30 ±1.5		dB
Freq. Sensitivity			±1.25	dB
Insertion Loss			1.5	dB
Directivity	13			dB
Input Power (CW)			30	Watts
Input Power (Peak)			3	kWatts


**Mechanical Specifications**
**Size**

Length	4.4 in [111.76 mm]
Width/Dia.	0.6 in [15.24 mm]
Height	0.38 in [9.65 mm]
Weight	0.1475 lbs [66.9 g]

**Configuration**

Input Connector	SMA Female
Output Connector	SMA Female
Coupled Connectors	SMA Female

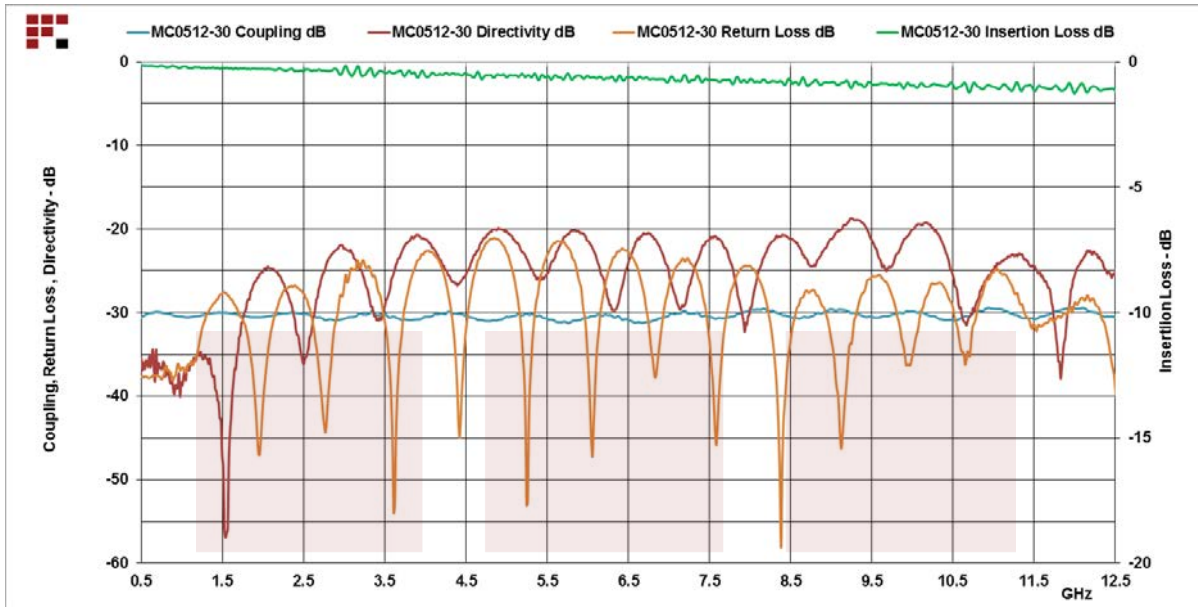
**Compliance Certifications** (see [product page](#) for current document)

**Plotted and Other Data**

Notes:

Fairview Microwave  
 301 Leora Ln., Suite 100  
 Lewisville, TX 75056  
 Tel: 1-800-715-4396 / (972) 649-6678  
 Fax: (972) 649-6689  
[www.fairviewmicrowave.com](http://www.fairviewmicrowave.com)  
[sales@fairviewmicrowave.com](mailto:sales@fairviewmicrowave.com)

**Typical Performance Data**



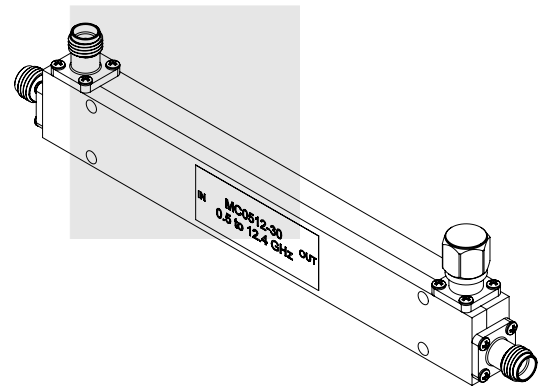
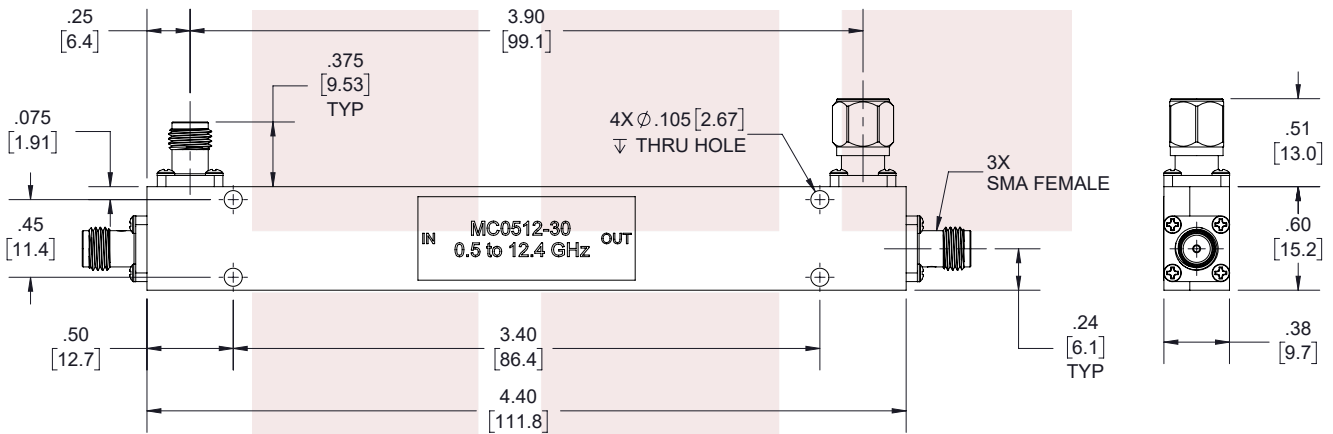
SMA Directional Coupler 30 dB Coupled Port From 500 MHz to 12.4 GHz Rated To 30 Watts from Fairview Microwave is in-stock and available to ship same-day. All of our RF/microwave products are available off-the-shelf from our ISO 9001:2008 certified facilities in Lewisville, Texas. Fairview Microwave is RF on-demand.

For additional information on this product, please click the following link: [SMA Directional Coupler 30 dB Coupled Port From 500 MHz to 12.4 GHz Rated To 30 Watts MC0512-30](https://www.fairviewmicrowave.com/sma-directional-coupler-30-db-12.4-ghz-50-watts-mc0512-30)

URL: <https://www.fairviewmicrowave.com/sma-directional-coupler-30-db-12.4-ghz-50-watts-mc0512-30-p.aspx>

The information contained in this document is accurate to the best of our knowledge and representative of the part described herein. It may be necessary to make modifications to the part and/or the documentation of the part, in order to implement improvements. Fairview Microwave reserves the right to make such changes as required. Unless otherwise stated, all specifications are nominal. Fairview Microwave does not make any representation or warranty regarding the suitability of the part described herein for any particular purpose, and Fairview Microwave does not assume any liability arising out of the use of any part or documentation.

REVISIONS			
REV.	DESCRIPTION	DATE	APPROVED
A	PCR MC0512-30	8/18/2021	S. PONG



THESE COMMODITIES, TECHNOLOGY OR SOFTWARE WERE EXPORTED FROM THE UNITED STATES IN ACCORDANCE WITH THE EXPORT ADMINISTRATION REGULATIONS. DIVERSION CONTRARY TO U.S. LAW PROHIBITED.

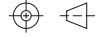
TITLE  
SMA Directional Coupler 30 dB Coupled Port From 500 MHz to 12.4 GHz Rated To 30 Watts

UNLESS OTHERWISE SPECIFIED LEADING DIMENSIONS ARE INCHES  
DIMENSIONS IN [ ] ARE MILLIMETERS

TOLERANCES: CABLE LENGTH (L) TOLERANCES:

.X = ±.2 [5.08]	FRACTIONS	L ≤ 12 [305] = +1 [25] / -0
.XX = ±.02 [.51]	± 1/32	12 [305] < L ≤ 60 [1524] = +2 [51] / -0
.XXX = ±.005 [.13]	ANGLES ± 1°	60 [1524] < L ≤ 120 [3048] = +4 [102] / -0
		120 [3048] < L ≤ 300 [7620] = +6 [152] / -0
		300 [7620] < L = +5%L / -0

THIRD-ANGLE PROJECTION



THE INFORMATION AND DESIGN IN THIS DOCUMENT IS THE PROPERTY OF FAIRVIEW MICROWAVE CORPORATION. ALL RIGHTS RESERVED.

SHEET 1 OF 1

ALL DIMENSIONS SHOWN ARE FOR REFERENCE ONLY.

SCALE N/A

SIZE A	CAGE CODE 3FKR5	DRAWN BY K.DANG	ITEM NO. MC0512-30	REV
-----------	--------------------	--------------------	-----------------------	-----

T-Rev.D