

SMA Directional Coupler 6 dB Coupled Port From 1 GHz to 2 GHz Rated To 4 Watts

Directional couplers are indispensable components for isolating, separating and combining signals. For example, they provide a simple way of sampling microwave signals. They also can make accurate attenuator measurements since reflections are eliminated. The MC2017-06 is a 6 dB directional coupler that operates from 1 to 2 GHz and can handle up to 50 Watts (CW) with 25 dB directivity minimum and 1.15:1 VSWR maximum. The package interface uses SMA female connectors, and is also REACH and RoHS compliant.

The MC2017-06 is part of Fairview Microwave's family of directional/dual-directional couplers that offer coupling ratios up to 50 dB with excellent performance featuring high directivity, low insertion loss and VSWR. They are available in both narrow and broad bandwidths and can be used in a wide variety of applications including signal sampling, VSWR measurements, power combining and distribution.

Electrical Specifications

Description	Min	Typ	Max	Units
Frequency Range	1		2	GHz
Impedance		50		Ohms
Coupling		6 ±1		dB
Freq. Sensitivity			±0.6	dB
Insertion Loss			0.2	dB
Directivity	25			dB
Main Line VSWR			1.15:1	
Input Power (CW)			4	Watts

Mechanical Specifications

Size	
Length	1.84 in [46.74 mm]
Width/Dia.	0.4 in [10.16 mm]
Height	0.54 in [13.72 mm]
Weight	0.0675 lbs [30.62 g]
Finish	Blue

Configuration

Input Connector	SMA Female
Output Connector	SMA Female
Coupled Connectors	SMA Female

Environmental Specifications

Temperature	
Operating Range	-55 to +110 deg C

Compliance Certifications (see [product page](#) for current document)

Plotted and Other Data

Notes:



Features:

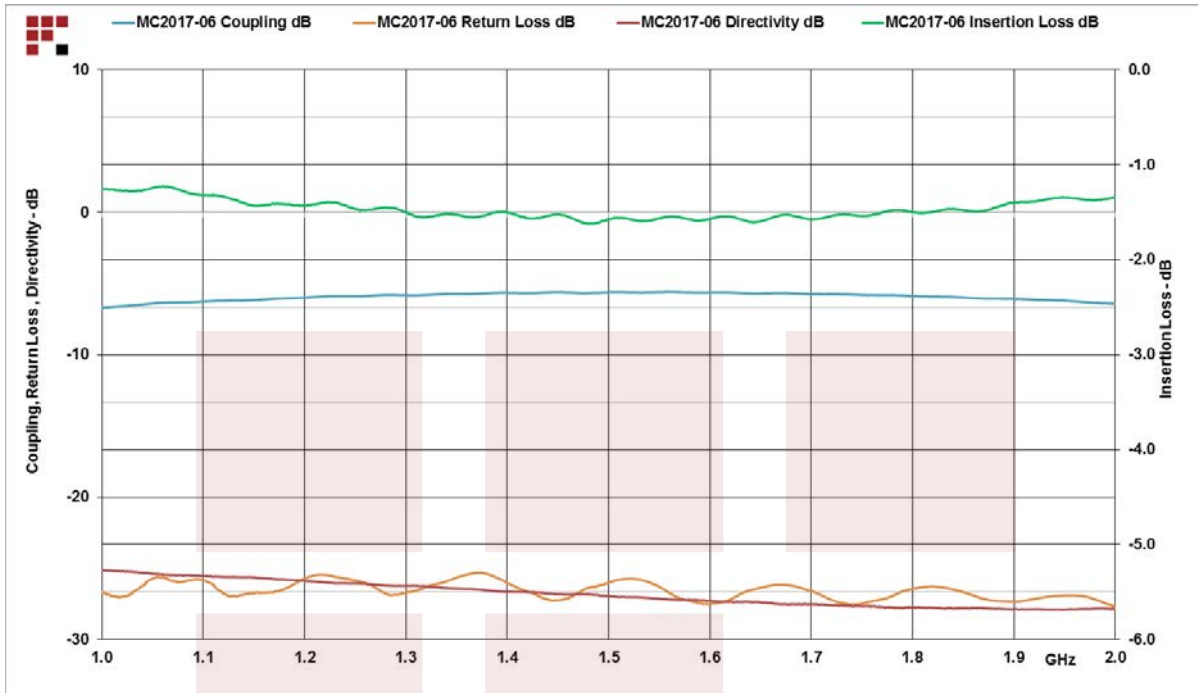
- Directional Coupler
- 1 to 2 GHz Frequency Range
- Coupling 6±1.0 dB
- Directivity > 25 dB
- Low VSWR < 1.15:1
- Max Power 50 Watts (CW)

Applications:

- Test and Measurement
- Military Communications
- Commercial Communications
- Wireless Communications
- SATCOM

Fairview Microwave
 301 Leora Ln., Suite 100
 Lewisville, TX 75056
 Tel: 1-800-715-4396 / (972) 649-6678
 Fax: (972) 649-6689
www.fairviewmicrowave.com
sales@fairviewmicrowave.com

Typical Performance Data



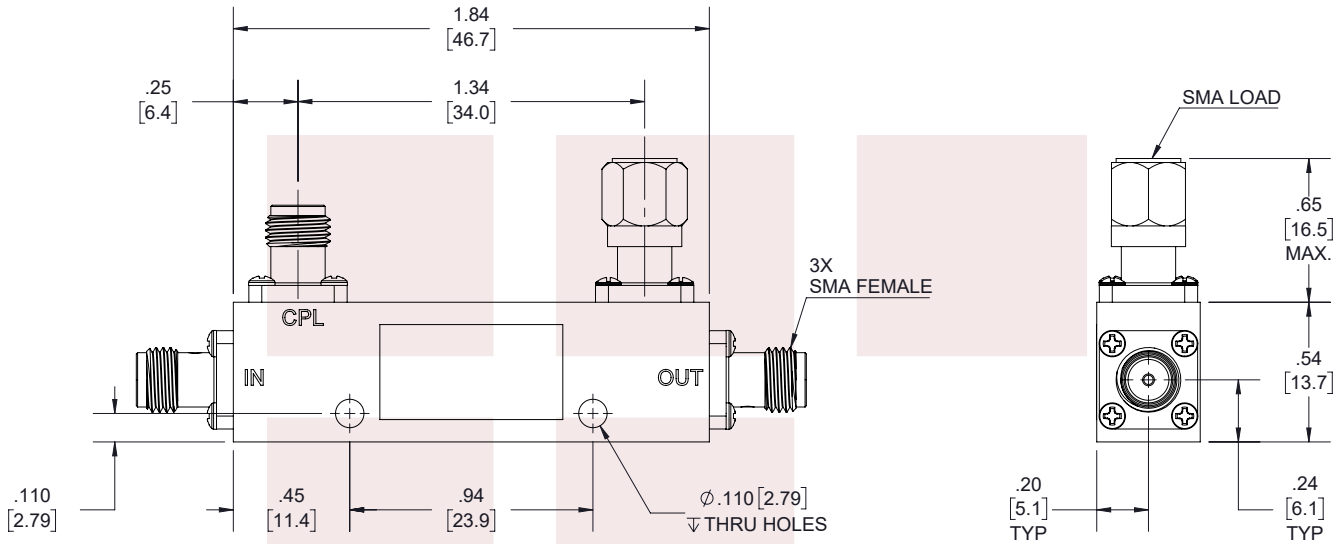
SMA Directional Coupler 6 dB Coupled Port From 1 GHz to 2 GHz Rated To 4 Watts from Fairview Microwave is in-stock and available to ship same-day. All of our RF/microwave products are available off-the-shelf from our ISO 9001:2008 certified facilities in Lewisville, Texas. Fairview Microwave is RF on-demand.

For additional information on this product, please click the following link: [SMA Directional Coupler 6 dB Coupled Port From 1 GHz to 2 GHz Rated To 4 Watts MC2017-06](https://www.fairviewmicrowave.com/sma-directional-coupler-6-db-2-ghz-4-watts-mc2017-06)

URL: <https://www.fairviewmicrowave.com/sma-directional-coupler-6-db-2-ghz-4-watts-mc2017-06-p.aspx>

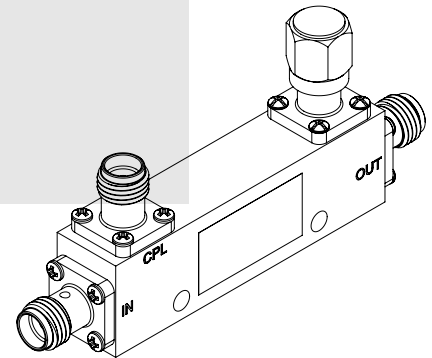
The information contained in this document is accurate to the best of our knowledge and representative of the part described herein. It may be necessary to make modifications to the part and/or the documentation of the part, in order to implement improvements. Fairview Microwave reserves the right to make such changes as required. Unless otherwise stated, all specifications are nominal. Fairview Microwave does not make any representation or warranty regarding the suitability of the part described herein for any particular purpose, and Fairview Microwave does not assume any liability arising out of the use of any part or documentation.

REVISIONS			
REV.	DESCRIPTION	DATE	APPROVED
A	PCR MC2017-20	2/11/2020	S.PONG



LABEL:

FAIRVIEW MICROWAVE
MC2017-06
D/C: YYWW



THESE COMMODITIES, TECHNOLOGY OR SOFTWARE WERE EXPORTED FROM THE UNITED STATES IN ACCORDANCE WITH THE EXPORT ADMINISTRATION REGULATIONS. DIVERSION CONTRARY TO U.S. LAW PROHIBITED.

TITLE

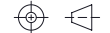
SMA Directional Coupler 6 dB Coupled Port From 1 GHz to 2 GHz Rated To 4 Watts

UNLESS OTHERWISE SPECIFIED LEADING DIMENSIONS ARE INCHES
DIMENSIONS IN [] ARE MILLIMETERS

TOLERANCES: CABLE LENGTH (L) TOLERANCES:

.X = ±.2 [5.08]	FRACTIONS	L ≤ 12 [305] = +1 [25] / -0
.XX = ±.02 [.51]	± 1/32	12 [305] < L ≤ 60 [1524] = +2 [51] / -0
.XXX = ±.005 [.13]	ANGLES ± 1°	60 [1524] < L ≤ 120 [3048] = +4 [102] / -0
		120 [3048] < L ≤ 300 [7620] = +6 [152] / -0
		300 [7620] < L = +5%L / -0

THIRD-ANGLE PROJECTION



THE INFORMATION AND DESIGN IN THIS DOCUMENT IS THE PROPERTY OF FAIRVIEW MICROWAVE CORPORATION. ALL RIGHTS RESERVED.

SHEET 1 OF 1

ALL DIMENSIONS SHOWN ARE FOR REFERENCE ONLY.

SCALE

N/A

SIZE A	CAGE CODE 3FKR5	DRAWN BY K.DANG	ITEM NO. MC2017-06	REV A
-----------	--------------------	--------------------	-----------------------	----------

T-Rev.D