

SMA F'S STRIPLINE DIRECTIONAL COUPLER 2-4 GHZ

MC3214

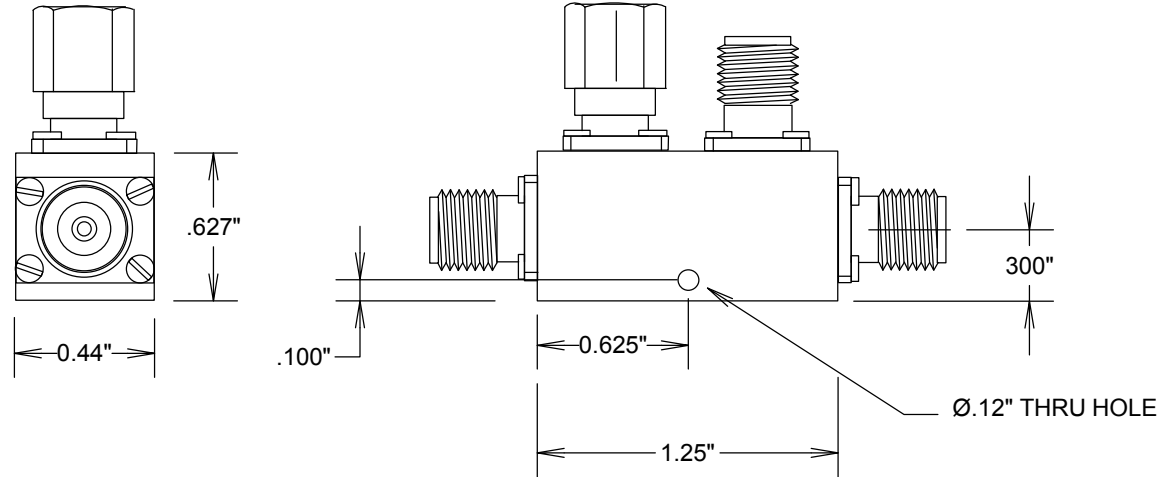
SPECIFICATIONS

ELECTRICAL:

FREQUENCY: 2-4 GHZ
 VSWR 1.15:1 MAX
 POWER CW: 50 WATTS
 COUPLING FLATNESS: +/- 1.25 DB MAX
 FREQUENCY SENSITIVITY: 0.75 DB
 INSERTION LOSS: 0.20 DB EXCLUDING
 COUPLING POWER
 IMPEDANCE: 50 OHMS

ENVIRONMENTAL:

TEMP: -55 C TO +125 C



FAIRVIEW MICROWAVE INC.
 ALLEN, TX 75013 WWW.FAIRVIEWMICROWAVE.COM

TITLE
**SMA F'S STRIPLINE DIRECTIONAL
 COUPLER 2-4 GHZ**

SIZE	CAGE CODE	DWG NO	REV
A	3FKR5	MC3214	
SCALE		SHEET	