

N Directional Coupler 30 dB 1 GHz to 12.4 GHz Rated to 600 Watts

Directional couplers are indispensable components for isolating, separating and combining signals. For example, they provide a simple way of sampling microwave signals. They also can make accurate attenuator measurements since reflections are eliminated. The MC4061-30 is a 30 dB directional coupler that operates from 1 GHz to 12.4 GHz with 13 dB directivity and can handle up to 600 Watts of CW power. The package interface has type N inputs on the input/output ports and SMA input on the coupled port.

The MC4061-30 is part of Fairview Microwave's family of directional/dual-directional couplers that offer coupling ratio up to 50 dB with excellent performance featuring high directivity, low insertion loss and VSWR. They are available in both narrow and broad bandwidths and can be used in a wide variety of applications including signal sampling, VSWR measurements, power combining and distribution.



Features:

- Directional Coupler
- 1 GHz to 12.4 GHz Frequency Range
- Coupling 30±1 dB
- Low PIM -160 dBc
- Max Power 600W (CW)

Electrical Specifications

Description	Min	Typ	Max	Units
Frequency Range	1		12.4	GHz
Impedance		50		Ohms
Coupling		30 ±1		dB
Passive Intermodulation		-160		dBc
Input Power (CW)			600	Watts
Input Power (Peak)			10	kWatts

Performance by Frequency

Description	F1	F2	F3	F4	F5	Units
Frequency Range	1 to 4	4 to 8	8 to 12.4			GHz
Insertion Loss, Typ	0.1	0.15	0.2			dB
Main Line VSWR, Typ	1.23:1	1.33:1	1.58:1			
Directivity, Typ	20	17	13			dB

Electrical Specification Notes:
 Values specified at +25°C, sea level.
 Coupling includes frequency sensitivity.

Mechanical Specifications

Size	
Length	3.85 in [97.79 mm]
Width/Dia.	0.8 in [20.32 mm]
Height	1.1 in [27.94 mm]
Weight	0.428 lbs [194.14 g]

Configuration

Input Connector	N Female
Output Connector	N Female
Coupled Connectors	SMA Female

Applications:

- Test and Measurement
- Military Communications
- Commercial Communications
- Wireless Communications
- SATCOM

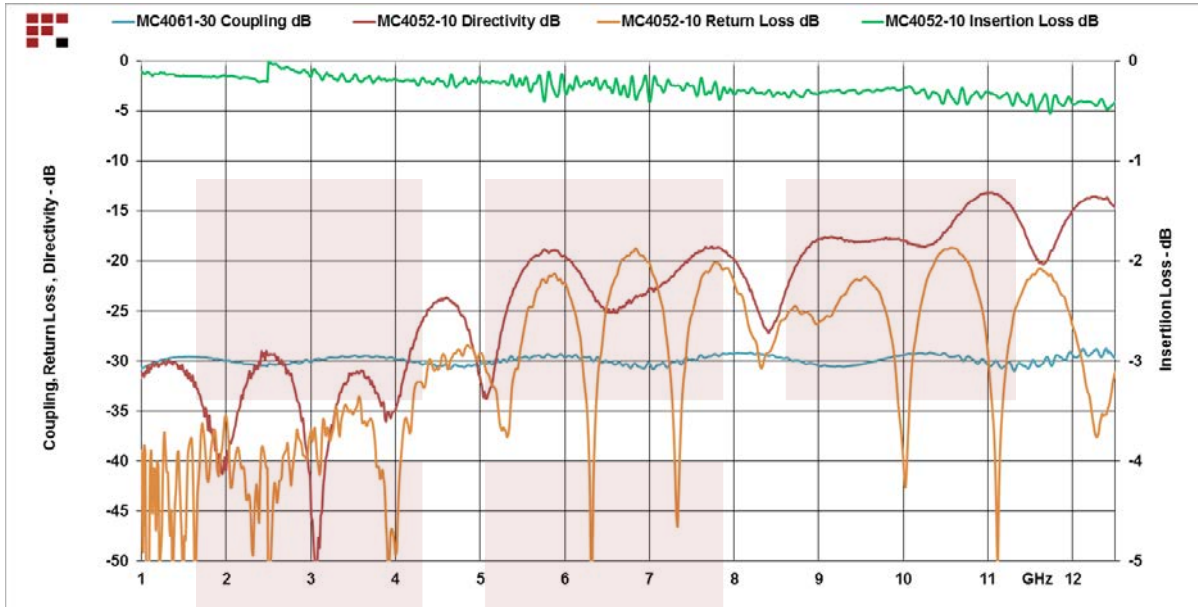
Fairview Microwave
 301 Leora Ln., Suite 100
 Lewisville, TX 75056
 Tel: 1-800-715-4396 / (972) 649-6678
 Fax: (972) 649-6689
www.fairviewmicrowave.com
sales@fairviewmicrowave.com

Compliance Certifications (see [product page](#) for current document)

Plotted and Other Data

Notes:

Typical Performance Data



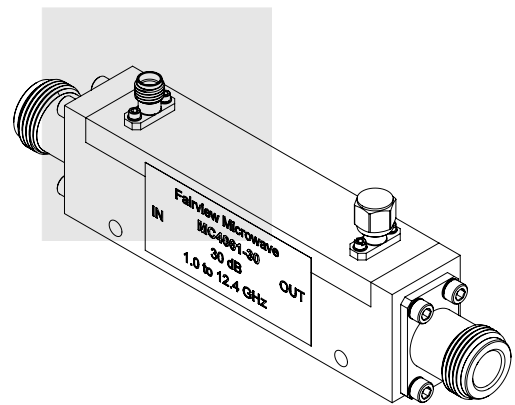
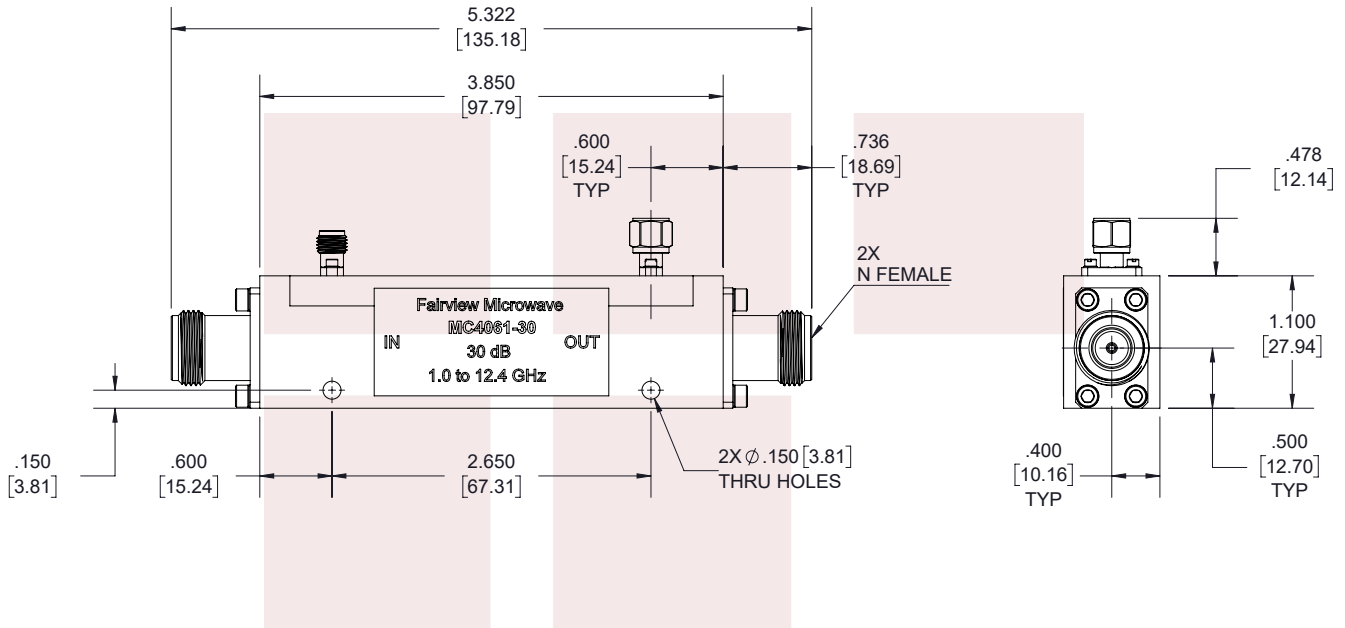
N Directional Coupler 30 dB 1 GHz to 12.4 GHz Rated to 600 Watts from Fairview Microwave is in-stock and available to ship same-day. All of our RF/microwave products are available off-the-shelf from our ISO 9001:2008 certified facilities in Lewisville, Texas. Fairview Microwave is RF on-demand.

For additional information on this product, please click the following link: [N Directional Coupler 30 dB 1 GHz to 12.4 GHz Rated to 600 Watts MC4061-30](#)

URL: <https://www.fairviewmicrowave.com/sma-directional-coupler-30-db-12.4-ghz-600-watts-mc4061-30-p.aspx>

The information contained in this document is accurate to the best of our knowledge and representative of the part described herein. It may be necessary to make modifications to the part and/or the documentation of the part, in order to implement improvements. Fairview Microwave reserves the right to make such changes as required. Unless otherwise stated, all specifications are nominal. Fairview Microwave does not make any representation or warranty regarding the suitability of the part described herein for any particular purpose, and Fairview Microwave does not assume any liability arising out of the use of any part or documentation.

REVISIONS			
REV.	DESCRIPTION	DATE	APPROVED
A	PCR MC4061-30	1/7/2020	S.PONG



THESE COMMODITIES, TECHNOLOGY OR SOFTWARE WERE EXPORTED FROM THE UNITED STATES IN ACCORDANCE WITH THE EXPORT ADMINISTRATION REGULATIONS. DIVERSION CONTRARY TO U.S. LAW PROHIBITED.

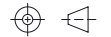
TITLE
N Directional Coupler 30 dB 1 GHz to 12.4 GHz Rated to 600 Watts

UNLESS OTHERWISE SPECIFIED LEADING DIMENSIONS ARE INCHES
DIMENSIONS IN [] ARE MILLIMETERS

TOLERANCES: CABLE LENGTH (L) TOLERANCES:

.X = ±.2 [5.08]	FRACTIONS	L ≤ 12 [305] = +1 [25] / -0
.XX = ±.02 [.51]	± 1/32	12 [305] < L ≤ 60 [1524] = +2 [51] / -0
.XXX = ±.005 [.13]	ANGLES ± 1°	60 [1524] < L ≤ 120 [3048] = +4 [102] / -0
		120 [3048] < L ≤ 300 [7620] = +6 [152] / -0
		300 [7620] < L = +5%L / -0

THIRD-ANGLE PROJECTION



THE INFORMATION AND DESIGN IN THIS DOCUMENT IS THE PROPERTY OF FAIRVIEW MICROWAVE CORPORATION. ALL RIGHTS RESERVED.

SHEET 1 OF 1

ALL DIMENSIONS SHOWN ARE FOR REFERENCE ONLY.

SCALE N/A

SIZE	CAGE CODE	DRAWN BY	ITEM NO.	REV
A	3FKR5	K.DANG	MC4061-30	A

T-Rev.D