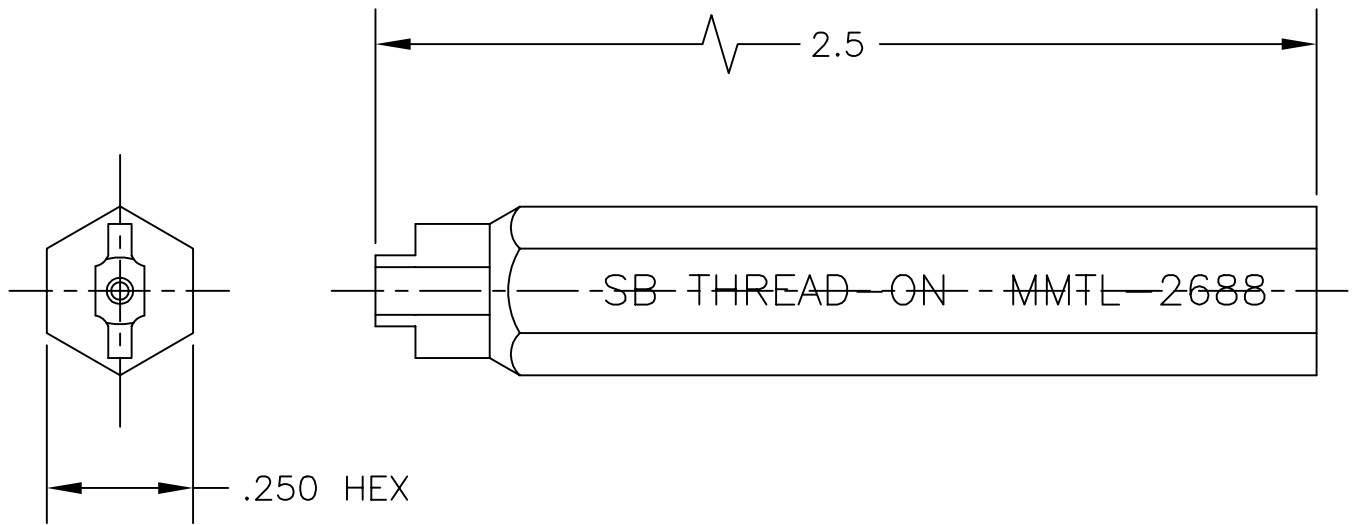


COMPONENT	MATERIAL AND FINISH
TOOL	17-4 STAINLESS STEEL PER ASTM A564

PART NO. MMTL-2688



OUTLINE DRAWING



MICRO-MODE PRODUCTS, INC.
The Reliable Connection to the Future

El Cajon, CA 92020 Peoria, AZ 85345
 (619) 449-3844 (602) 334-8944

CAGE CODE
 15907

ASSY PROCEDURES: N/A	SHROUD INSTALLATION TOOL SMOOTH BORE, THREAD-ON	PART NO. MMTL-2688	REVISION
TOOLS: N/A			—
SHEET 1 OF 1	OL2688 3-31-00 RF DR		