

SMA F'S POWER DIVIDER 5-3000 MHZ

MP053000-2

SPECIFICATIONS

ELECTRICAL

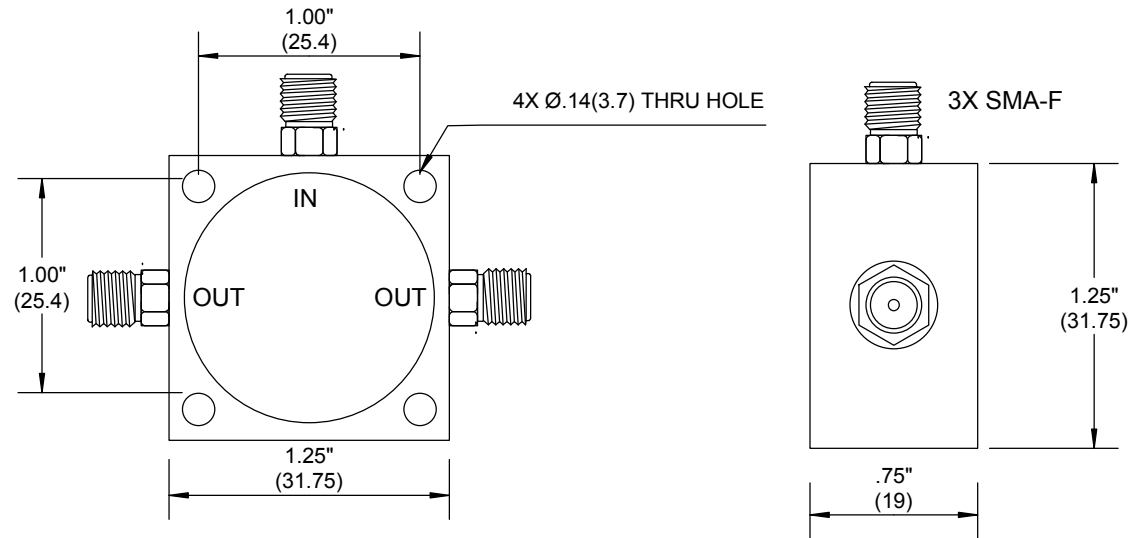
FREQUENCY: 5-3000 MHZ
 IMPEDANCE: 50 OHMS
 VSWR: 1.6:1 MAX
 INSERTION LOSS: 2.5 DB MAX
 INPUT POWER(MAX) : 1 WATT
 ISOLATION: 15 DB MIN

MECHANICAL

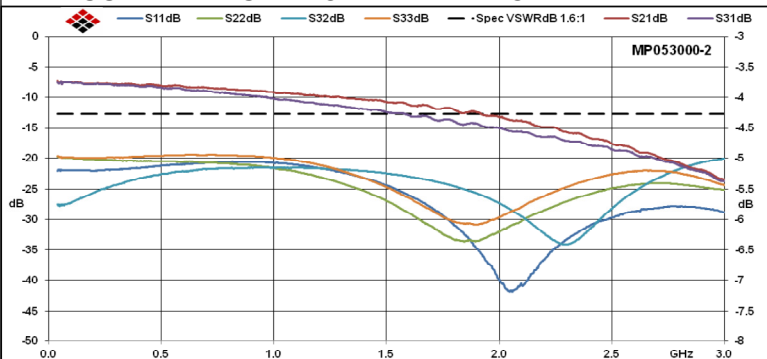
MATERIAL CONNECTORS: Ni PLATED BRASS
 MATERIAL CONTACTS: Au PLATED BeCu
 MATERIAL BODY: NICKEL PLATED ALUMINUM

OPERATING TEMPERATURE: -25°C TO +80°C

ROHS COMPLIANT



MEASUREMENTS BELOW ARE TYPICAL



ALL DIMENSIONS IN inches(MM) Typical

FAIRVIEW MICROWAVE INC.

ALLEN, TX 75013 WWW.FAIRVIEWMICROWAVE.COM

TITLE

SMA F'S POWER DIVIDER 5-3000 MHZ

SIZE

A

CAGE CODE

3FKR5

DWG NO

MP053000-2

REV

--

SCALE

SHEET