

**2 Way Power Divider N Interface to 3.5 GHz Rated at 3 Watts**



**Electrical Specifications**

Design			Reactive	
Number of Output Ports			2	
Description	Min	Typ	Max	Units
Frequency Range	0.8		3.5	GHz
Impedance		50		Ohms
Input VSWR			1.4:1	
Insertion Loss			0.8	dB
Isolation	20			dB
Amplitude Balance			0.3	dB
Input Power (CW)			3	Watts

**Mechanical Specifications**

Size		
Length		2.5 in [63.5 mm]
Width		2 in [50.8 mm]
Height		0.75 in [19.05 mm]
Weight		0.3685 lbs [167.15 g]
Housing Material and Plating		Aluminum

**Configuration**

Input Connector	N Female
Output Connectors	N Female

**Environmental Specifications**

Temperature	
Operating Range	-55 to +85 deg C

**Compliance Certifications** (see [product page](#) for current document)

**Plotted and Other Data**

Notes:

Fairview Microwave  
 301 Leora Ln., Suite 100  
 Lewisville, TX 75056  
 Tel: 1-800-715-4396 / (972) 649-6678  
 Fax: (972) 649-6689  
[www.fairviewmicrowave.com](http://www.fairviewmicrowave.com)  
[sales@fairviewmicrowave.com](mailto:sales@fairviewmicrowave.com)

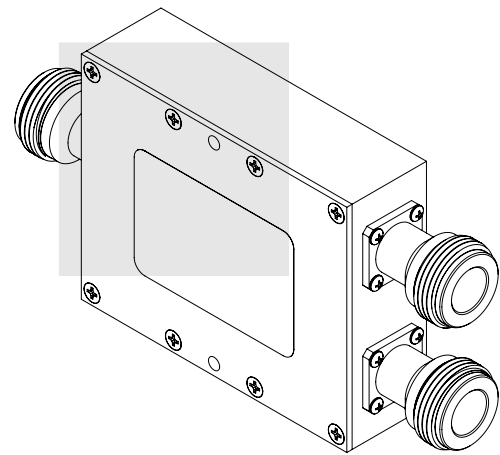
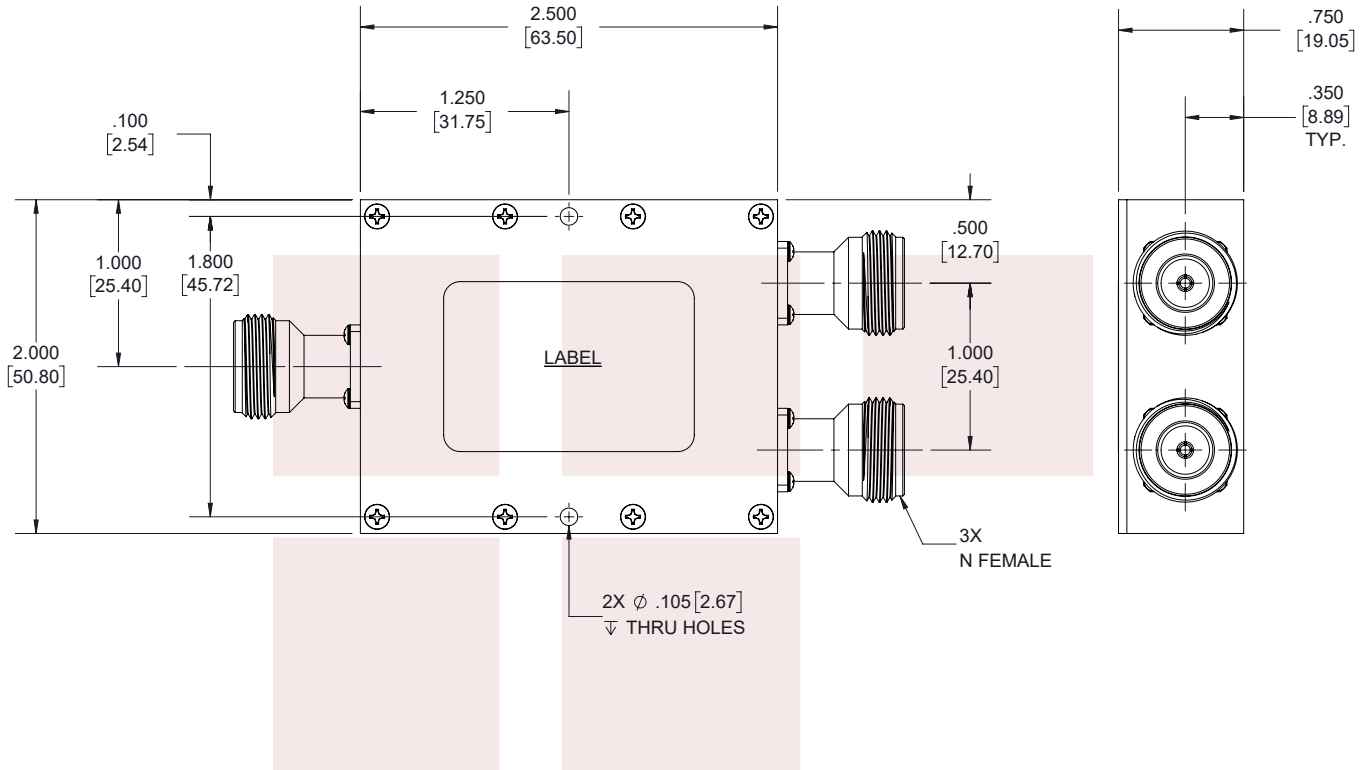
2 Way Power Divider N Interface to 3.5 GHz Rated at 3 Watts from Fairview Microwave is in-stock and available to ship same-day. All of our RF/microwave products are available off-the-shelf from our ISO 9001:2008 certified facilities in Allen, Texas. Fairview Microwave is RF on-demand.

For additional information on this product, please click the following link: [2 Way Power Divider N Interface to 3.5 GHz Rated at 3 Watts MP0835-2](#)

URL: <https://www.fairviewmicrowave.com/2-way-power-divider-n-3.5-ghz-3-watts-mp0835-2-p.aspx>

The information contained in this document is accurate to the best of our knowledge and representative of the part described herein. It may be necessary to make modifications to the part and/or the documentation of the part, in order to implement improvements. Fairview Microwave reserves the right to make such changes as required. Unless otherwise stated, all specifications are nominal. Fairview Microwave does not make any representation or warranty regarding the suitability of the part described herein for any particular purpose, and Fairview Microwave does not assume any liability arising out of the use of any part or documentation.





**LABEL**

**Fairview Microwave**  
 RF COMPONENTS ON DEMAND. *Done!*  
 www.FAIRVIEWMICROWAVE.com  
**MP0835-2**  
 F: 800 - 3500 MHz  
 SN: XXXXXXXXX

**STANDARD TOLERANCES**

.X  $\pm 0.2$   
 .XX  $\pm 0.01$   
 .XXX  $\pm 0.005$

\*STANDARD TOLERANCES APPLY ONLY TO DIMENSIONS IN INCHES

		<b>NOTES:</b> 1. UNLESS OTHERWISE SPECIFIED ALL DIMENSIONS ARE NOMINAL. 2. ALL SPECIFICATIONS ARE SUBJECT TO CHANGE WITHOUT NOTICE AT ANY TIME. 3. DIMENSIONS ARE IN INCHES [mm].				
<b>TITLE</b> 2 Way Power Divider N Interface to 3.5 GHz Rated at 3 Watts		<b>DWG NO</b> MP0835-2			<b>CAGE CODE</b> 3FKR5	
CAD FILE	10/12/18	SHEET	1 OF 1	SCALE	N/A	SIZE A 7361