

# SMA POWER DIVIDER 4-WAY 1-2 GHZ

MP8413-4

## SPECIFICATIONS

### ELECTRICAL:

FREQUENCY: 1-2 GHZ  
 VSWR 1.3:1 MAX IN, 1.2 OUT  
 POWER CW: 30 WATTS INTO 1.2:1 VSWR;  
 10 WATTS INTO 2:1 VSWR;  
 1 WATT INTO OPEN

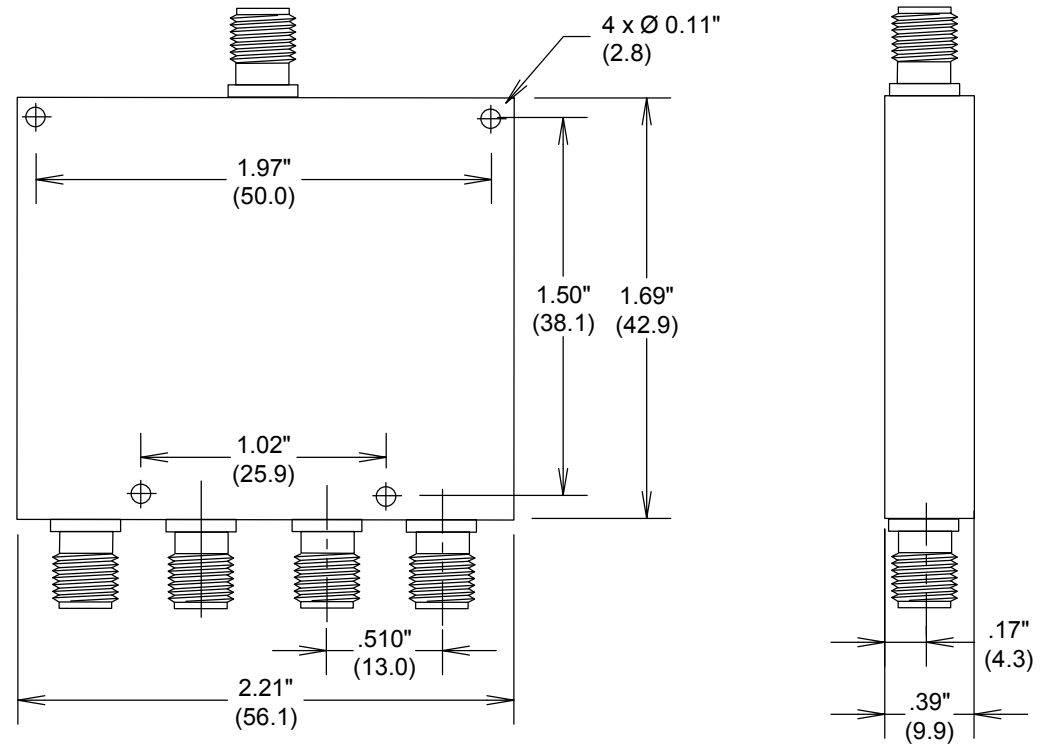
ISOLATION: 20 DB MIN  
 INSERTION LOSS: 0.60 DB  
 AMPLITUDE BALANCE: 0.3 DB MAX  
 PHASE BALANCE: 3 DEGREES MAX  
 IMPEDANCE: 50 OHMS  
 POWER HANDLING: 30 WATTS

### CONNECTORS

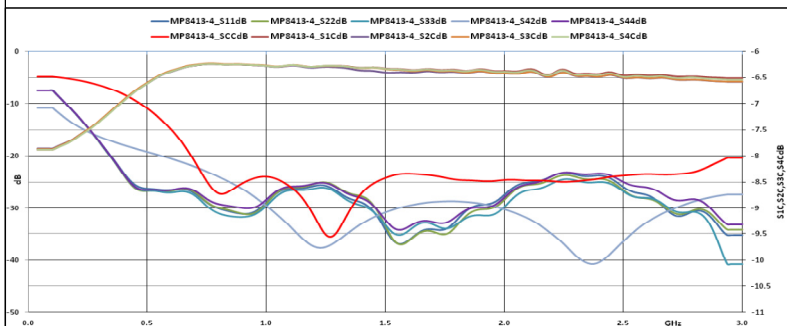
BRASS  
 INTERFACE: MIL-STD-348A  
 CONTACTS: BeCu  
 INSULATOR: TEFLON

### ENVIRONMENTAL:

TEMP: -55 C TO +125 C  
 ROHS COMPLIANT



### MEASUREMENTS BELOW ARE TYPICAL



ALL DIMENSIONS IN inches(MM) Typical

## FAIRVIEW MICROWAVE INC.

ALLEN, TX 75013 WWW.FAIRVIEWMICROWAVE.COM

TITLE

SMA POWER DIVIDER 4-WAY 1-2 GHZ

SIZE	CAGE CODE	DWG NO	REV
A	3FKR5	MP8413-4	A
SCALE	SHEET		