

3 Way Power Divider SMA Connectors From 2 GHz to 4 GHz Rated at 30 Watts

Electrical Specifications

Design Reactive
 Number of Output Ports 3

Description	Min	Typ	Max	Units
Frequency Range	2		4	GHz
Impedance		50		Ohms
Input VSWR			1.3:1	
Output VSWR			1.3:1	
Insertion Loss			0.6	dB
Isolation	18			dB
Amplitude Balance			0.3	dB
Input Power (CW)			30	Watts



Mechanical Specifications

Size
 Length 2.05 in [52.07 mm]
 Width 1.62 in [41.15 mm]
 Height 0.39 in [9.91 mm]
 Weight 0.1105 lbs [50.12 g]

Configuration
 Input Connector SMA Female
 Output Connectors SMA Female

Environmental Specifications

Temperature
 Operating Range -55 to +85 deg C

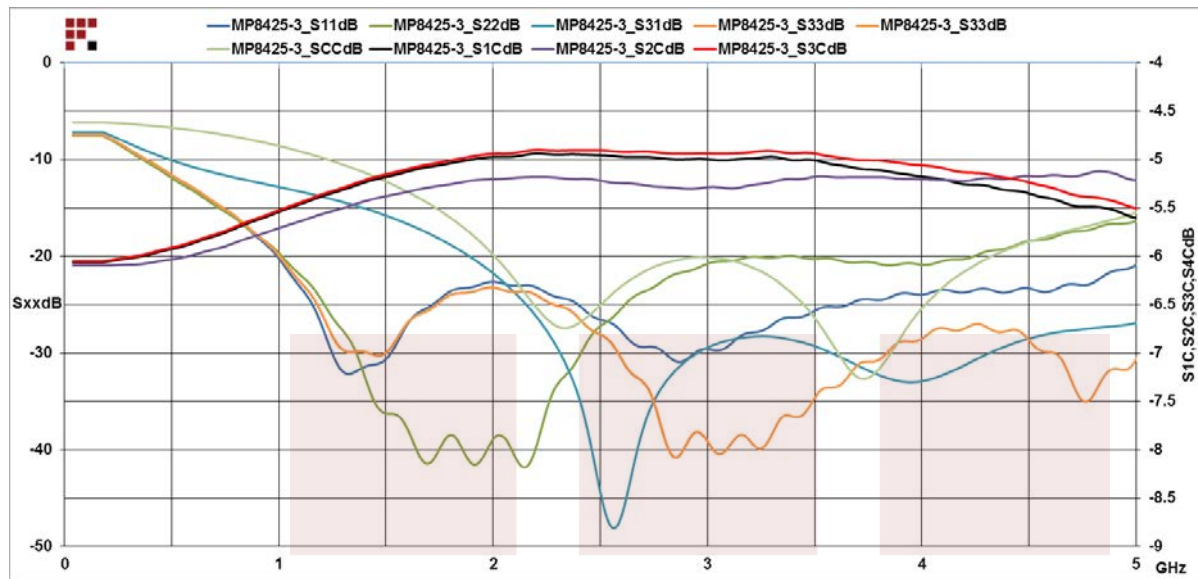
Compliance Certifications (see [product page](#) for current document)

Plotted and Other Data

Notes:

Fairview Microwave
 301 Leora Ln., Suite 100
 Lewisville, TX 75056
 Tel: 1-800-715-4396 / (972) 649-6678
 Fax: (972) 649-6689
www.fairviewmicrowave.com
sales@fairviewmicrowave.com

Typical Performance Data



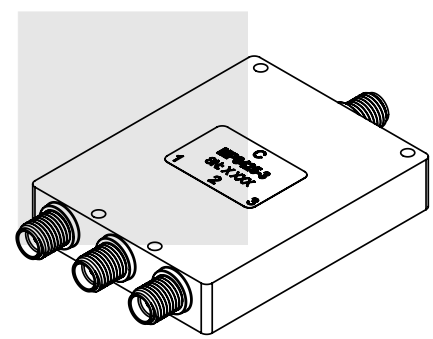
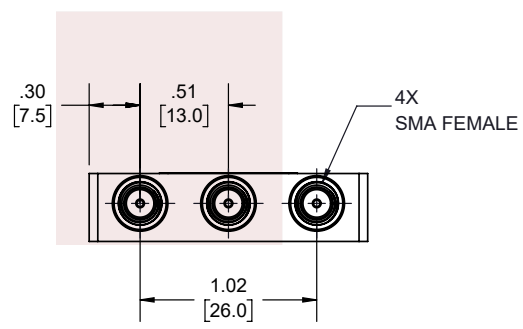
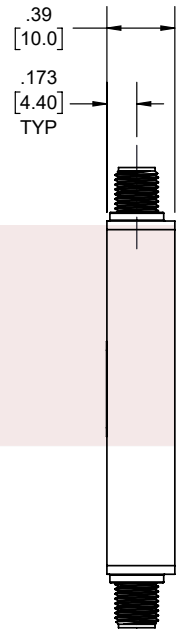
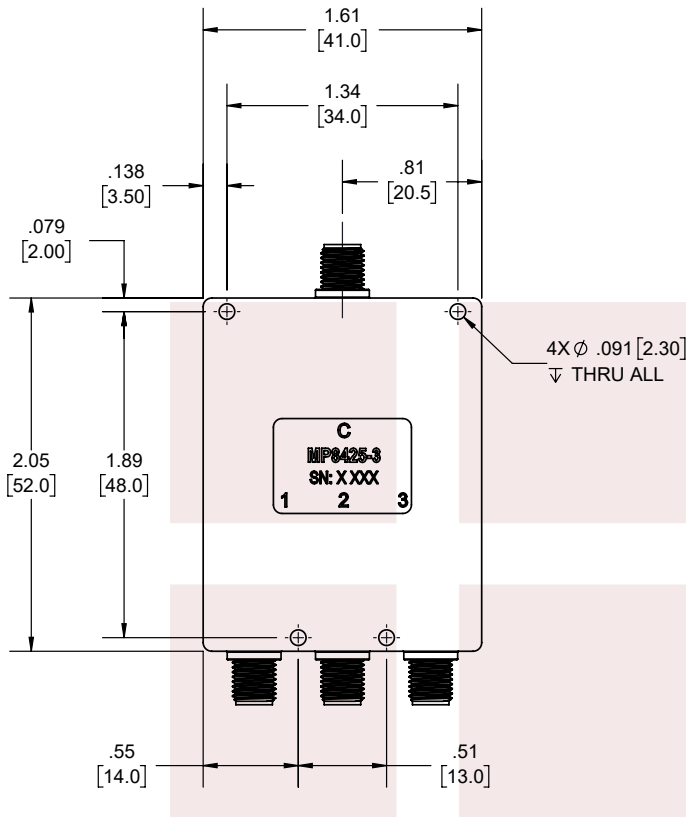
3 Way Power Divider SMA Connectors From 2 GHz to 4 GHz Rated at 30 Watts from Fairview Microwave is in-stock and available to ship same-day. All of our RF/microwave products are available off-the-shelf from our ISO 9001:2008 certified facilities in Lewisville, Texas. Fairview Microwave is RF on-demand.

For additional information on this product, please click the following link: [3 Way Power Divider SMA Connectors From 2 GHz to 4 GHz Rated at 30 Watts MP8425-3](https://www.fairviewmicrowave.com/3-way-power-divider-sma-4-ghz-30-watts-mp8425-3-p.aspx)

URL: <https://www.fairviewmicrowave.com/3-way-power-divider-sma-4-ghz-30-watts-mp8425-3-p.aspx>

The information contained in this document is accurate to the best of our knowledge and representative of the part described herein. It may be necessary to make modifications to the part and/or the documentation of the part, in order to implement improvements. Fairview Microwave reserves the right to make such changes as required. Unless otherwise stated, all specifications are nominal. Fairview Microwave does not make any representation or warranty regarding the suitability of the part described herein for any particular purpose, and Fairview Microwave does not assume any liability arising out of the use of any part or documentation.

REVISIONS			
REV.	DESCRIPTION	DATE	APPROVED
A	PCR MP8425-3	11/12/2021	S. PONG



THESE COMMODITIES, TECHNOLOGY OR SOFTWARE WERE EXPORTED FROM THE UNITED STATES IN ACCORDANCE WITH THE EXPORT ADMINISTRATION REGULATIONS. DIVERSION CONTRARY TO U.S. LAW PROHIBITED.

TITLE
3 Way Power Divider SMA Connectors From 2 GHz to 4 GHz Rated at 30 Watts

UNLESS OTHERWISE SPECIFIED LEADING DIMENSIONS ARE INCHES
DIMENSIONS IN [] ARE MILLIMETERS

TOLERANCES:		CABLE LENGTH (L) TOLERANCES:	
.X = ±.2 [5.08]	FRACTIONS	L ≤ 12 [305] = +1 [25] / -0	
.XX = ±.02 [.51]	± 1/32	12 [305] < L ≤ 60 [1524] = +2 [51] / -0	
.XXX = ±.005 [.13]	ANGLES ± 1°	60 [1524] < L ≤ 120 [3048] = +4 [102] / -0	
		120 [3048] < L ≤ 300 [7620] = +6 [152] / -0	
		300 [7620] < L = +5%L / -0	

THIRD-ANGLE PROJECTION
THE INFORMATION AND DESIGN IN THIS DOCUMENT IS THE PROPERTY OF FAIRVIEW MICROWAVE CORPORATION. ALL RIGHTS RESERVED.

ALL DIMENSIONS SHOWN ARE FOR REFERENCE ONLY.					SCALE	N/A
SIZE	CAGE CODE	DRAWN BY	ITEM NO.	REV		
A	3FKR5	K.Dang	MP8425-3	A		

T-Rev.D