

2 Way Power Divider SMA Interface from DC to 18 GHz Rated at 1 Watts

Fairview Microwave carries a wide selection of power dividers to fit your needs. These components are essential in many systems, allowing the combination of multiple signals or splitting of a single signal into multiple signals with equal magnitude and phase. Fairview Microwave's resistive and Wilkinson power dividers come with excellent performance featuring minimal loss, high isolation and low VSWR. They are available in both narrow and broad bandwidths with a variety of connector types such as 2.92mm, BNC, N and SMA.

The MPR18-2 is a 2 way resistive power divider that operates from DC to 18 GHz and can handle up to 1 Watt (CW) with 7.5 dB max insertion loss. The package interface uses SMA connectors and is REACH and RoHS compliant.

Electrical Specifications

Design	Resistive			
Number of Output Ports	2			
Description	Min	Typ	Max	Units
Frequency Range	DC		18	GHz
Impedance		50		Ohms
Input VSWR			1.35:1	
Insertion Loss			7.5	dB
Amplitude Balance			0.5	dB
Phase Balance			2.5	Degrees
Input Power (CW)			1	Watt
Input Power (Peak)			1	kWatts

Electrical Specification Notes:
Insertion loss includes splitting loss.

Mechanical Specifications

Size	
Length	0.66 in [16.76 mm]
Width	1.33 in [33.78 mm]
Height	1.25 in [31.75 mm]
Weight	0.1184 lbs [53.71 g]

Configuration

Package Type	Connectorized
Input Connector	SMA Male
Output Connectors	SMA Female

Environmental Specifications

Temperature	
Operating Range	-55 to +125 deg C

Compliance Certifications (see [product page](#) for current document)

Plotted and Other Data

Notes:



Features:

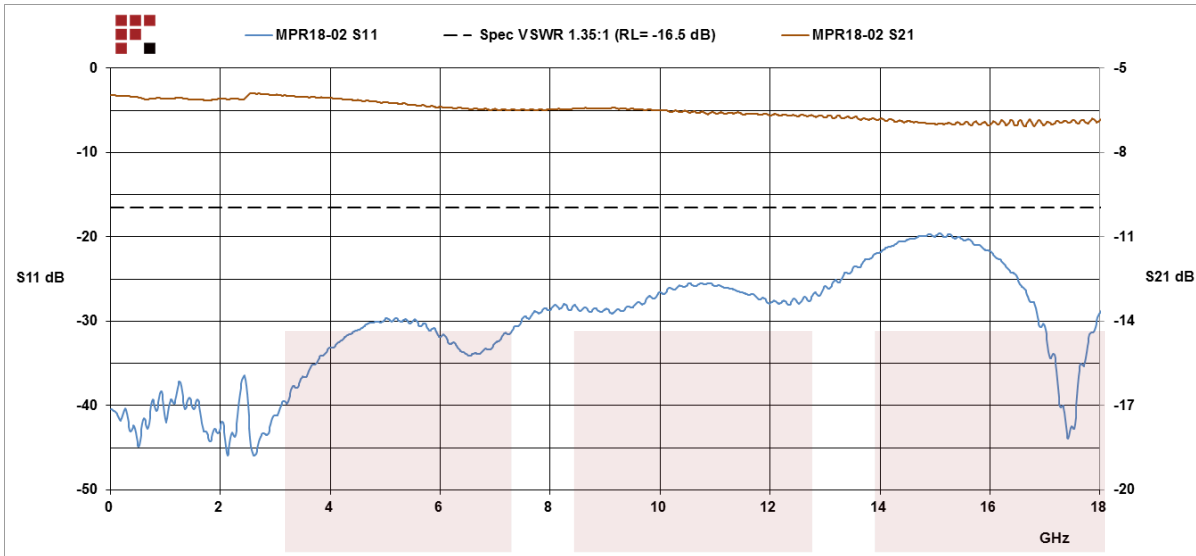
- 2-Way Power Divider
- Resistive Design
- DC to 18 GHz Frequency Range
- Max Power 1 Watt (CW)
- Insertion Loss < 7.5 dB

Applications:

- Test and Measurement
- Military Communications
- Commercial Communications
- Wireless Communications
- SATCOM

Fairview Microwave
301 Leora Ln., Suite 100
Lewisville, TX 75056
Tel: 1-800-715-4396 / (972) 649-6678
Fax: (972) 649-6689
www.fairviewmicrowave.com
sales@fairviewmicrowave.com

Typical Performance Data

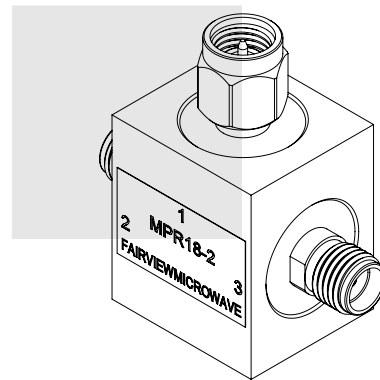
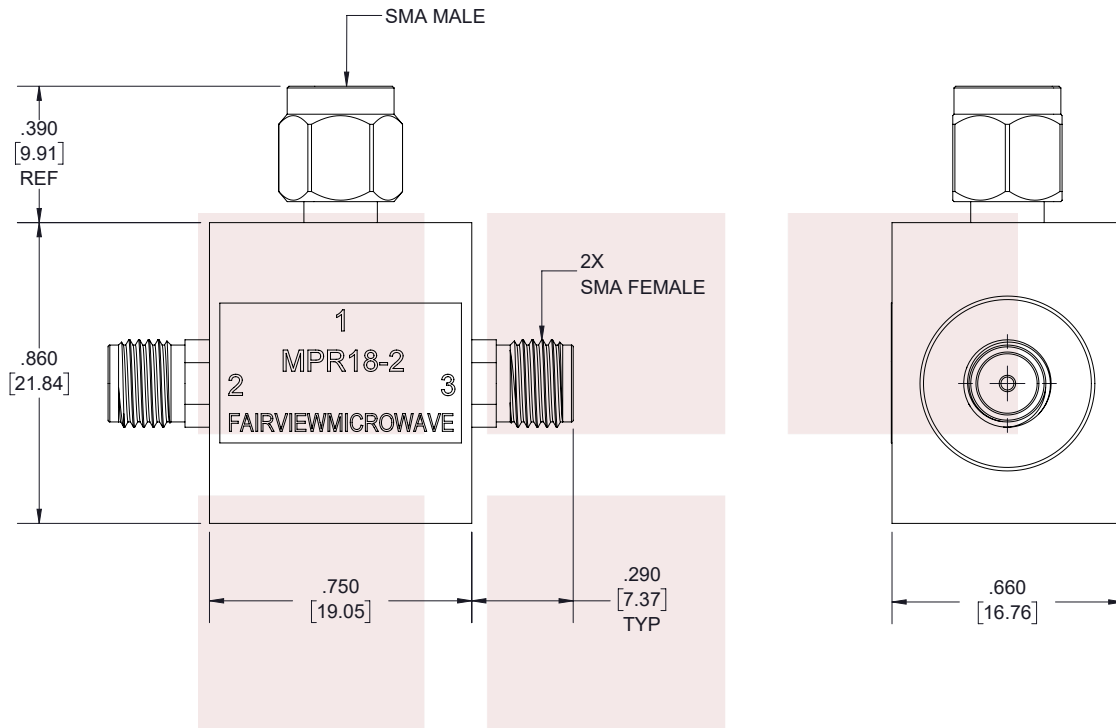


2 Way Power Divider SMA Interface from DC to 18 GHz Rated at 1 Watts from Fairview Microwave is in-stock and available to ship same-day. All of our RF/microwave products are available off-the-shelf from our ISO 9001:2008 certified facilities in Lewisville, Texas. Fairview Microwave is RF on-demand.

For additional information on this product, please click the following link: [2 Way Power Divider SMA Interface from DC to 18 GHz Rated at 1 Watts MPR18-2](https://www.fairviewmicrowave.com/2-way-power-divider-sma-resistive-18-ghz-1-watts-mpr18-2-p.aspx)

URL: <https://www.fairviewmicrowave.com/2-way-power-divider-sma-resistive-18-ghz-1-watts-mpr18-2-p.aspx>

The information contained in this document is accurate to the best of our knowledge and representative of the part described herein. It may be necessary to make modifications to the part and/or the documentation of the part, in order to implement improvements. Fairview Microwave reserves the right to make such changes as required. Unless otherwise stated, all specifications are nominal. Fairview Microwave does not make any representation or warranty regarding the suitability of the part described herein for any particular purpose, and Fairview Microwave does not assume any liability arising out of the use of any part or documentation.



STANDARD TOLERANCES

.X ±0.2
.XX ±0.01
.XXX ±0.005

*STANDARD TOLERANCES APPLY ONLY TO DIMENSIONS IN INCHES

NOTES:
1. UNLESS OTHERWISE SPECIFIED ALL DIMENSIONS ARE NOMINAL.
2. ALL SPECIFICATIONS ARE SUBJECT TO CHANGE WITHOUT NOTICE AT ANY TIME.
3. DIMENSIONS ARE IN INCHES [mm].

TITLE 2 Way Power Divider SMA Interface from DC to 18 GHz Rated at 1 Watts	DWG NO MPR18-2		CAGE CODE 3FKR5			
	CAD FILE 10/14/19	SHEET 1 OF 1	SCALE N/A	SIZE A	7361	