

# RG-316

## SPECIFICATIONS

### ELECTRICAL:

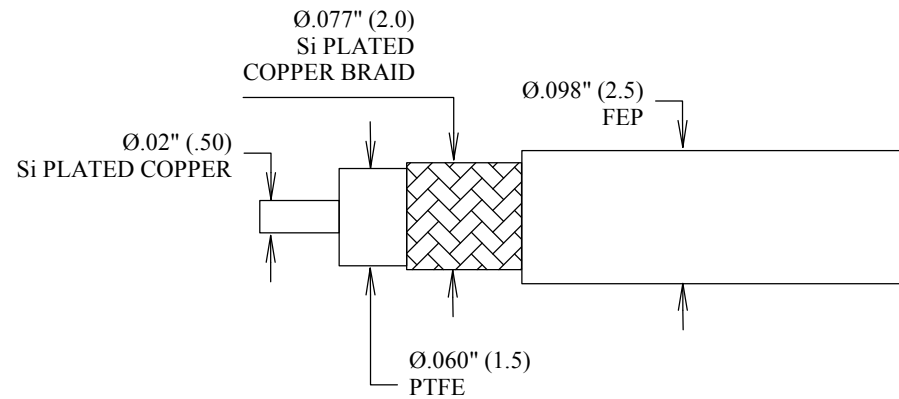
FREQUENCY: 3000 MHz  
 IMPEDANCE: 50 OHMS  
 CAPACITANCE (pF/m): 96.45  
 VELOCITY PROPOGATION: 70%  
 VOLTAGE(VMS): 1200 MAX

MIN BEND RADIUS: .512" (13mm)

OPERATING TEMPERATURE: -55°C to +200°C

### MATERIAL:

CENTER CONDUCTOR: Si PLATED COPPER CLAD STEEL  
 DIELECTRIC: PTFE  
 OUTER CONDUCTOR: Si PLATED COPPER BRAID



FREQUENCY(MHz)	ATTENUATION(>dB/1ft)
100	.08
400	.16
1000	.26
3000	.47

**FAIRVIEW MICROWAVE INC.**  
 ALLEN, TX 75013 WWW.FAIRVIEWMICROWAVE.COM

TITLE  
**RG-316**

ALL DIMENSIONS IN inches(MM) Typical

SIZE <b>A</b>	CAGE CODE 3FKR5	DWG NO <b>RG-316</b>	REV --
SCALE		SHEET	