

VARIABLE ATTENUATOR 0-11DB 1DB STEPS SMA-F/F

SA1101SMA

SPECIFICATIONS

ELECTRICAL:

FREQUENCY: DC-2.7 GHz
 ATTENUATION 0-11 dB
 STEP VALUE 1dB
 INSERTION LOSS AT 0dB: 0.5dB @ 2GHz
 1dB @ 2.7GHz

IMPEDANCE: 50 Ohm
 AVERAGE POWER: 2 WATT
 OPERATING TEMPERATURE: -40°C to +85°C

ATTENUATION ACCURACY:
 0.2dB @ 1GHz TYPICAL
 0.5dB @ 1GHz MAX

0.7dB @ 2GHz TYPICAL
 1.0dB @ 2GHz MAX

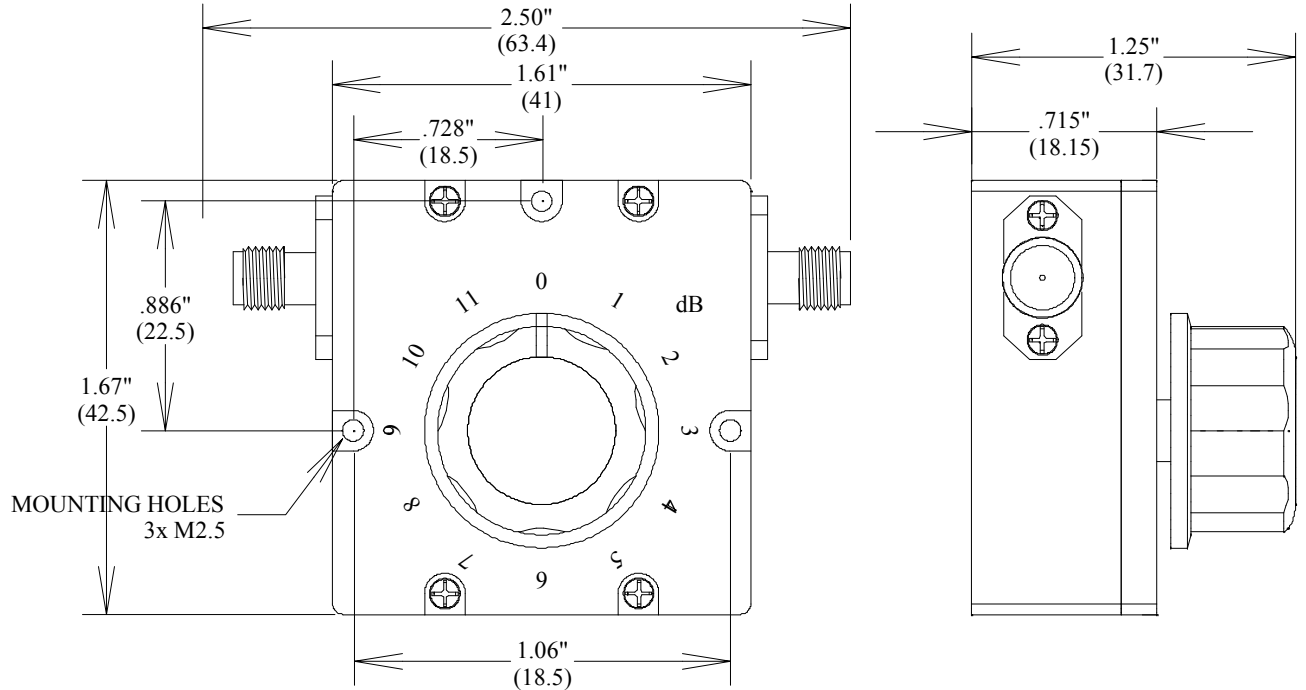
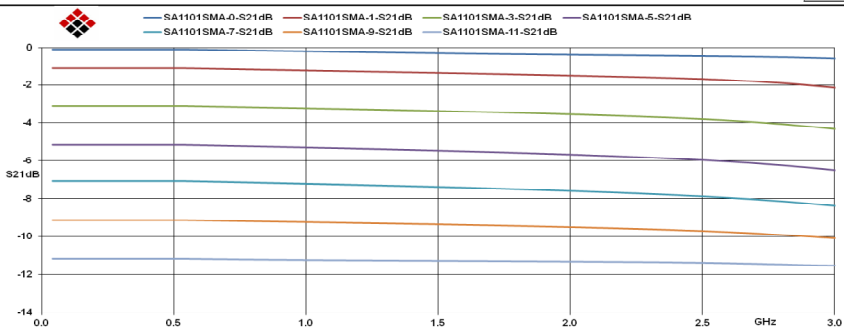
1.0dB @ 2.7GHz TYPICAL
 1.5dB @ 2.7GHz MAX

MATERIALS

BODY: NICKEL PLATED ALUMINUM
 SMA CONNECTOR: BRASS

ROHS COMPLIANT

MEASUREMENTS BELOW ARE TYPICAL



FREQ. RANGE (GHz)	VSWR(:1)	
	TYPICAL	MAX
DC to 2	1.10	1.35
2 to 2.5	1.25	1.50
2.5 to 2.7	1.35	1.60

FAIRVIEW MICROWAVE INC.

ALLEN, TX 75013 WWW.FAIRVIEWMICROWAVE.COM

TITLE

**VARIABLE ATTENUATOR 0-11DB
 1DB STEPS SMA-F/F**

SIZE	CAGE CODE	DWG NO	REV
A	3FKR5	SA1101SMA	--

SCALE

SHEET

ALL DIMENSIONS IN inches(mm) Typical