

**5 to 95 dB Continuously Variable Attenuator SMA Female to SMA Female Right Angle Up to 2 GHz Rated to 5 Watts in a Dial Design**

**Electrical Specifications\***

Description	Min	Typ	Max	Units
Frequency Range	DC		2	GHz
Impedance		50		Ohms
Attenuation Value		5 to 95		dB
Step Type		Dial		
Insertion Loss		5		dB
Input Power			5	Watts
Peak Power			500	Watts
VSWR			1.6:1	

\* Values at 25°C, sea level

**Mechanical Specifications**

**Temperature**

Operating Range 0 to +85 deg C

**Size**

Length 4.52 in [114.81 mm]

Width 2.06 in [52.32 mm]

Height 4 in [101.6 mm]

Weight 0.0172 lbs [7.8 g]

**Connectors**

Description	Connector 1	Connector 2
Type	SMA Female	SMA Female



**Features:**

- Design: Continuously Variable, Bidirectional Attenuator
- Connector 1: SMA Female
- Connector 2: SMA Female

Fairview Microwave  
301 Leora Ln., Suite 100  
Lewisville, TX 75056  
Tel: 1-800-715-4396 / (972) 649-6678  
Fax: (972) 649-6689  
[www.fairviewmicrowave.com](http://www.fairviewmicrowave.com)  
[sales@fairviewmicrowave.com](mailto:sales@fairviewmicrowave.com)

**Compliance Certifications** (see [product page](#) for current document)

**Plotted and Other Data**

Notes:

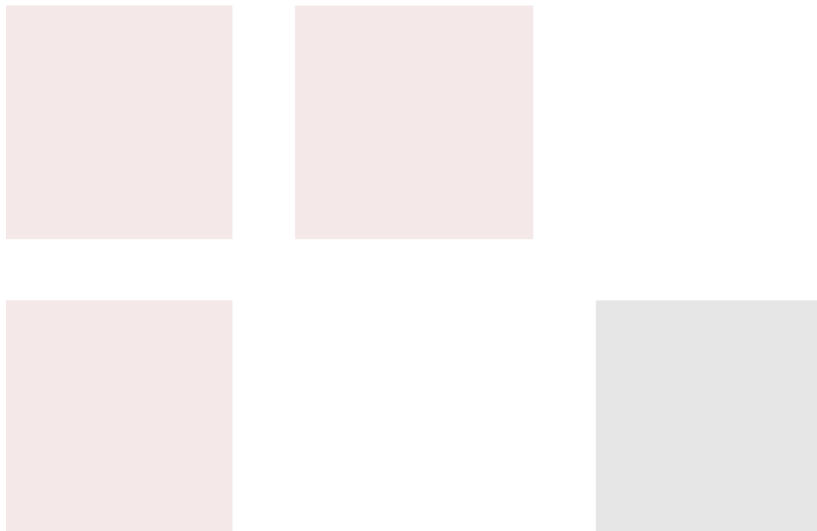
- Values at 25 °C, sea level

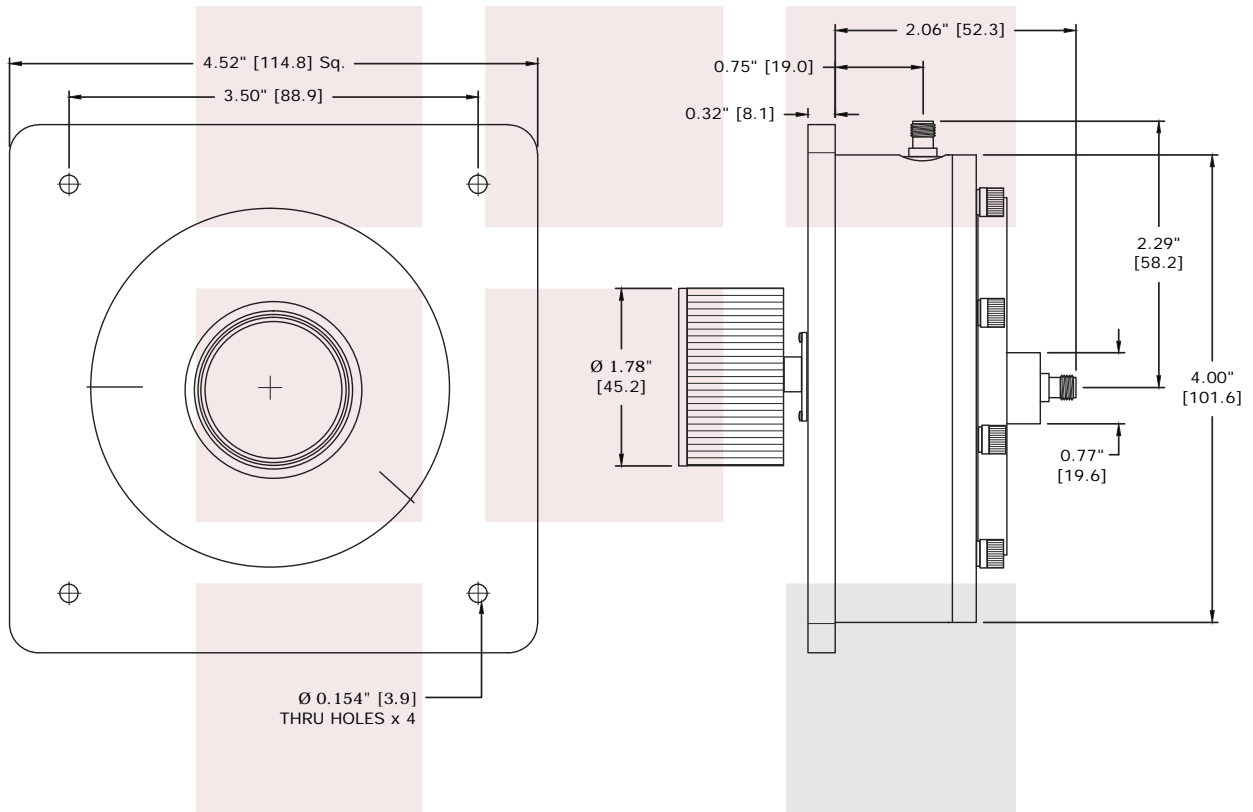
5 to 95 dB Continuously Variable Attenuator SMA Female to SMA Female Right Angle Up to 2 GHz Rated to 5 Watts in a Dial Design from Fairview Microwave is in-stock and available to ship same-day. All of our RF/microwave products are available off-the-shelf from our ISO 9001:2008 certified facilities in Lewisville, Texas. Fairview Microwave is RF on-demand.

For additional information on this product, please click the following link: [5 to 95 dB Continuously Variable Attenuator SMA Female to SMA Female Right Angle Up to 2 GHz Rated to 5 Watts in a Dial Design SA2090](#)

URL: <https://www.fairviewmicrowave.com/90db-continuous-attenuator-sma-female-sma-female-0-watts-sa2090-p.aspx>

The information contained in this document is accurate to the best of our knowledge and representative of the part described herein. It may be necessary to make modifications to the part and/or the documentation of the part, in order to implement improvements. Fairview Microwave reserves the right to make such changes as required. Unless otherwise stated, all specifications are nominal. Fairview Microwave does not make any representation or warranty regarding the suitability of the part described herein for any particular purpose, and Fairview Microwave does not assume any liability arising out of the use of any part or documentation.





<b>FAIRVIEW MICROWAVE INC.</b> ALLEN, TX 75013 WWW.FAIRVIEWMICROWAVE.COM		NOTES: 1. UNLESS OTHERWISE SPECIFIED ALL DIMENSIONS ARE NOMINAL. 2. ALL SPECIFICATIONS ARE SUBJECT TO CHANGE WITHOUT NOTICE AT ANY TIME. 3. DIMENSIONS ARE IN INCHES [mm].			
TITLE 5 to 95 dB Continuously Variable Attenuator SMA Female to SMA Female Right Angle Up to 2 GHz Rated to 5 Watts in a Dial Design		DWG NO <b>SA2090</b>		CAGE CODE <b>3FKR5</b>	
CAD FILE	020615	SHEET	SCALE	N/A	SIZE A 5568