

VARIABLE ATTENUATOR 0-31DB 1DB STEPS N-F/F

SA3101N

SPECIFICATIONS

ELECTRICAL:

FREQUENCY: DC-2.7 GHz
 ATTENUATION 0-31 dB
 STEP VALUE 1dB
 INSERTION LOSS AT 0dB: 0.6dB @ 2GHz
 1.0dB @ 2.7GHz
 IMPEDANCE: 50 Ohm
 AVERAGE POWER: 2 WATT
 OPERATING TEMPERATURE: -40°C to +85°C

ATTENUATION ACCURACY:
 0.3dB @ 1GHz TYPICAL
 0.5dB @ 1GHz MAX

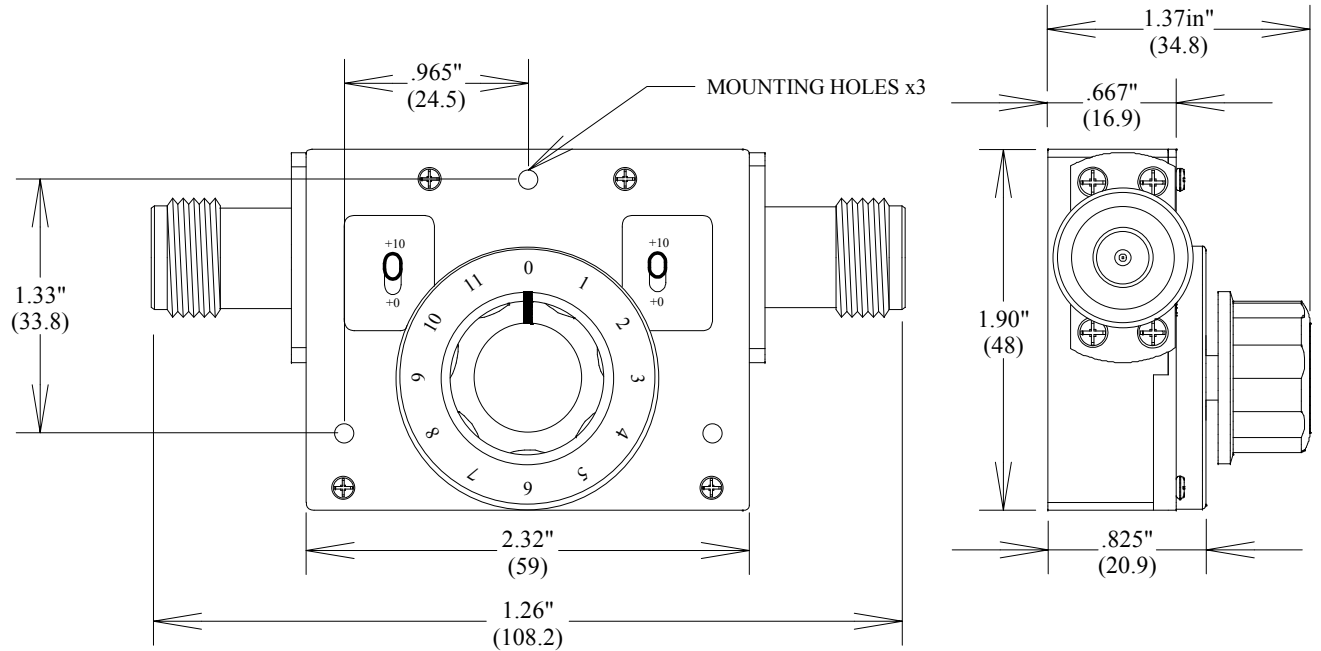
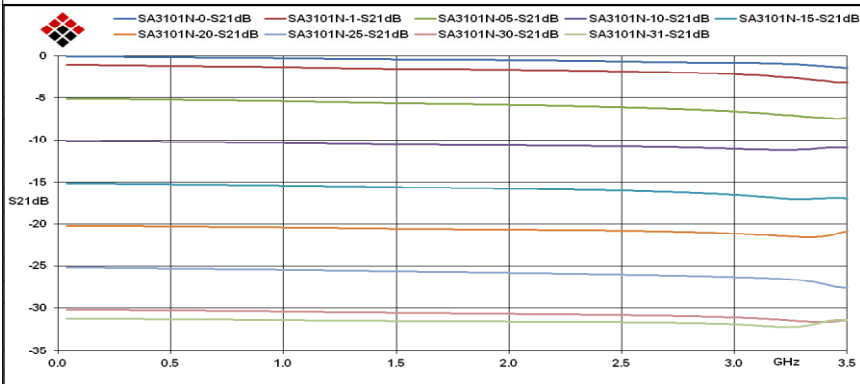
0.7dB @ 2GHz TYPICAL
 1.1dB @ 2GHz MAX

1.3dB @ 2.7GHz TYPICAL
 1.7dB @ 2.7GHz MAX

MATERIALS

BODY: NICKEL PLATED ALUMINUM
 SMA CONNECTOR: TRIMETAL PLATED BRASS
 ROHS COMPLIANT

MEASUREMENTS BELOW ARE TYPICAL



FREQ. RANGE (GHz)	VSWR(:1)	
	TYPICAL	MAX
0-11dB		
DC to 2	1.15	1.35
2 to 2.5	1.25	1.45
2.5 to 2.7	1.45	1.60

FREQ. RANGE (GHz)	VSWR(:1)	
	TYPICAL	MAX
12-31dB		
DC to 2.7	1.10	1.35

ALL DIMENSIONS IN inches(mm) Typical

FAIRVIEW MICROWAVE INC.

ALLEN, TX 75013 WWW.FAIRVIEWMICROWAVE.COM

TITLE

**VARIABLE ATTENUATOR 0-31DB
 1DB STEPS N-F/F**

SIZE CAGE CODE DWG NO

A 3FKR5

SA3101N

REV

--

SCALE

SHEET