

0 to 31 dB Step Attenuator With a 1 dB Step N Female Connectors Rated Up To 2.7 GHz and Up to 2 Watts in a Dial Design

Electrical Specifications

Description	Min	Typ	Max	Units
Frequency Range	DC		2.7	GHz
Impedance		50		Ohms
Insertion Loss			1.2	dB
Attenuation Value		0 to 31		dB
Step Size		1		dB
Step Type		Dial		
Input Power			2	Watts
VSWR			1.6:1	

Specifications by Frequency

Description	F1	F2	F3	F4	F5	Units
Range	DC to 2.7					GHz
Atten. Accuracy	± 1.5					dB

Mechanical Specifications

Size

Length	2.52 in [64.01 mm]
Width	1.89 in [48.01 mm]
Height	1.26 in [32 mm]
Weight	0.31438 lbs [142.6 g]
Body Material and Plating	Aluminum, Nickel

Connectors

Description	Connector 1	Connector 2
Type	N Female	N Female
Body Material & Plating	Brass	Brass

Environmental Specifications

Temperature

Operating Range	-40 to 85 deg C
-----------------	-----------------

Compliance Certifications (see [product page](#) for current document)

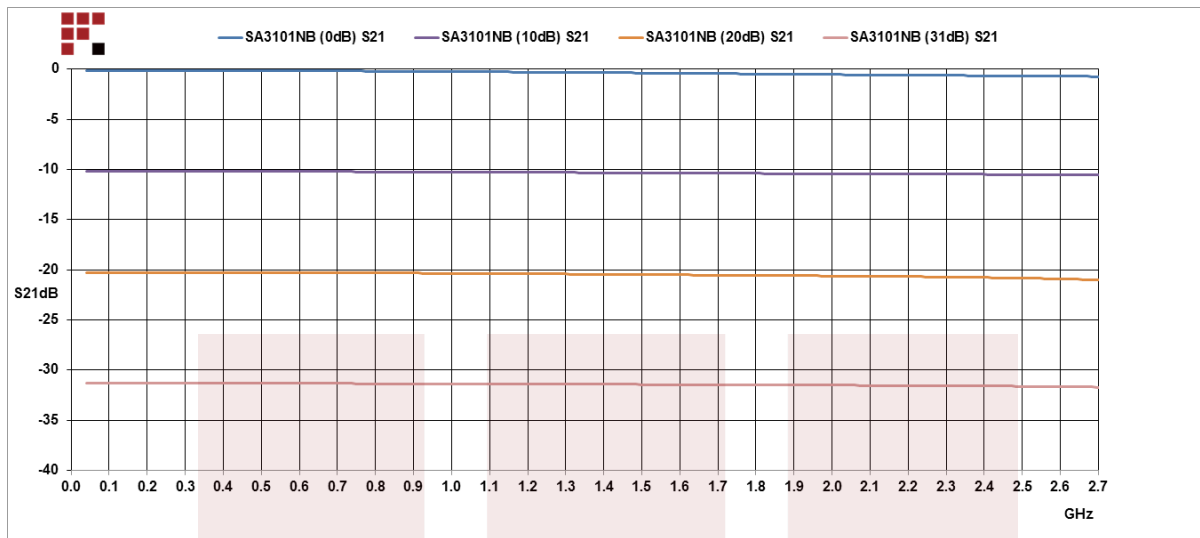
Plotted and Other Data

Notes:



Fairview Microwave
 301 Leora Ln., Suite 100
 Lewisville, TX 75056
 Tel: 1-800-715-4396 / (972) 649-6678
 Fax: (972) 649-6689
www.fairviewmicrowave.com
sales@fairviewmicrowave.com

Typical Performance Data

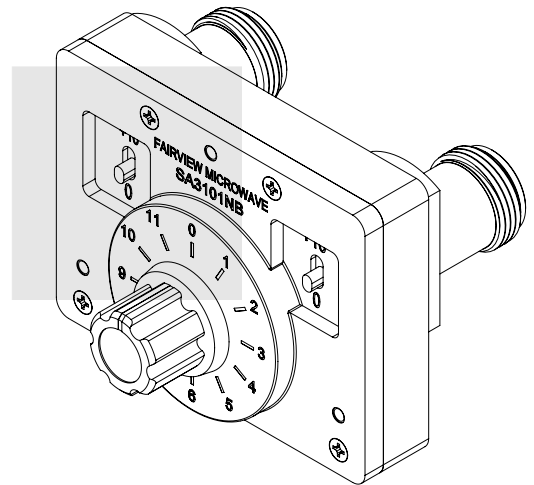
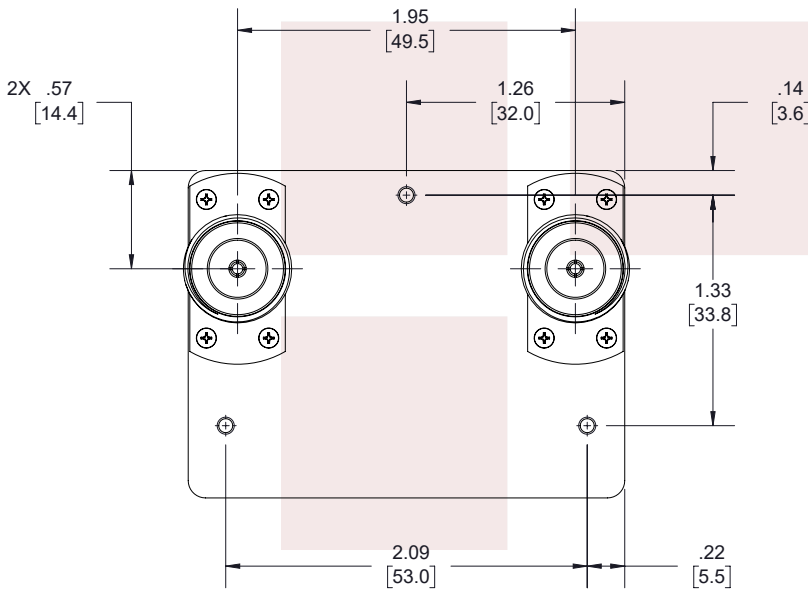
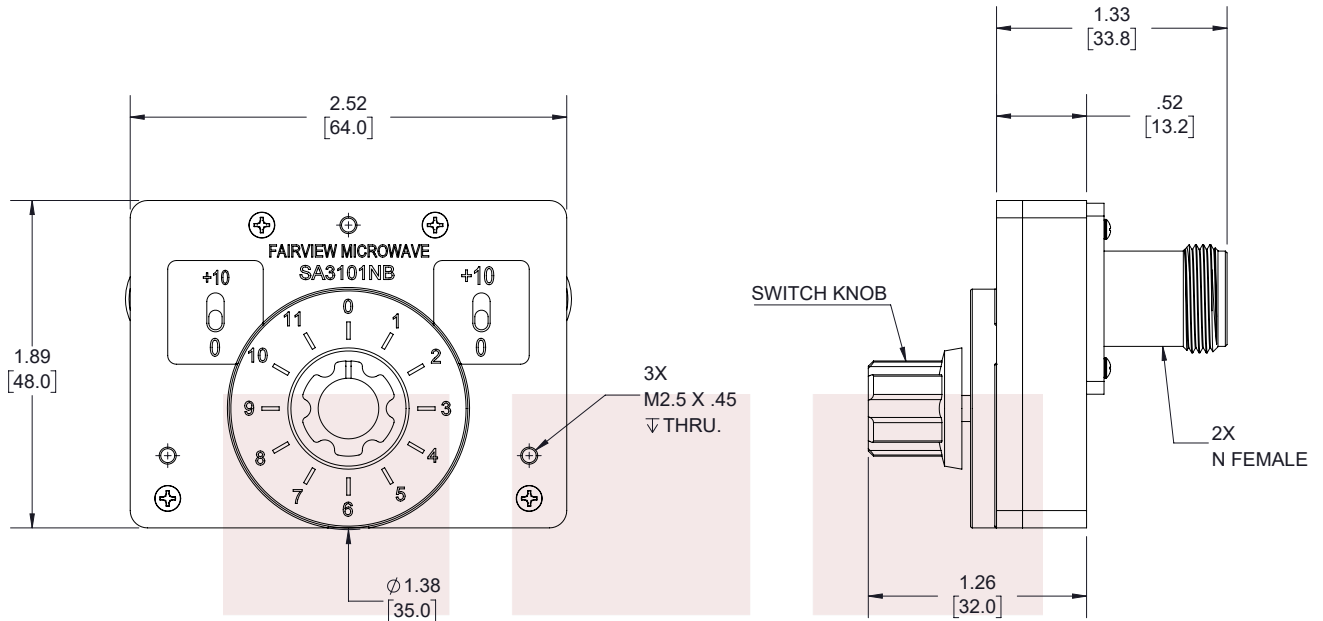


0 to 31 dB Step Attenuator With a 1 dB Step N Female Connectors Rated Up To 2.7 GHz and Up to 2 Watts in a Dial Design from Fairview Microwave is in-stock and available to ship same-day. All of our RF/microwave products are available off-the-shelf from our ISO 9001:2008 certified facilities in Allen, Texas. Fairview Microwave is RF on-demand.

For additional information on this product, please click the following link: [0 to 31 dB Step Attenuator With a 1 dB Step N Female Connectors Rated Up To 2.7 GHz and Up to 2 Watts in a Dial Design SA3101NB](#)

URL: <https://www.fairviewmicrowave.com/31db-step-attenuator-1db-n-female-dc-2.7-ghz-2-watts-sa3101nb-p.aspx>

The information contained in this document is accurate to the best of our knowledge and representative of the part described herein. It may be necessary to make modifications to the part and/or the documentation of the part, in order to implement improvements. Fairview Microwave reserves the right to make such changes as required. Unless otherwise stated, all specifications are nominal. Fairview Microwave does not make any representation or warranty regarding the suitability of the part described herein for any particular purpose, and Fairview Microwave does not assume any liability arising out of the use of any part or documentation.



STANDARD TOLERANCES

.X ±0.2
.XX ±0.01
.XXX ±0.005

*STANDARD TOLERANCES APPLY ONLY TO DIMENSIONS IN INCHES

NOTES:
1. UNLESS OTHERWISE SPECIFIED ALL DIMENSIONS ARE NOMINAL.
2. ALL SPECIFICATIONS ARE SUBJECT TO CHANGE WITHOUT NOTICE AT ANY TIME.
3. DIMENSIONS ARE IN INCHES [mm].

TITLE 0 to 31 dB Step Attenuator With a 1 dB Step N Female Connectors Rated Up To 2.7 GHz and Up to 2 Watts in a Dial Design	DWG NO SA3101NB		CAGE CODE 3FKR5			
	CAD FILE 05/31/18	SHEET 1 OF 1	SCALE N/A	SIZE A	7361	