

STEP ATTEN. N-F'S 3GHZ 50DB 1DB STEPS

SA3550N

SPECIFICATIONS

ELECTRICAL:

FREQUENCY: 0-3 GHZ
 ATTENUATION RANGE: 0-50 DB
 ATTENUATION STEPS: 1 DB
 LARGE KNOB: 10 DB STEPS
 SMALL KNOB: 1 DB STEPS

VSWR @ 1GHZ: 1.3:1 MAX
 VSWR @ 2GHZ: 1.4:1 MAX
 VSWR @ 3GHZ: 1.5:1 MAX
 POWER (AVG) 2 WATTS @ 25°C
 POWER (PEAK) 1KW
 IMPEDANCE: 50 OHMS

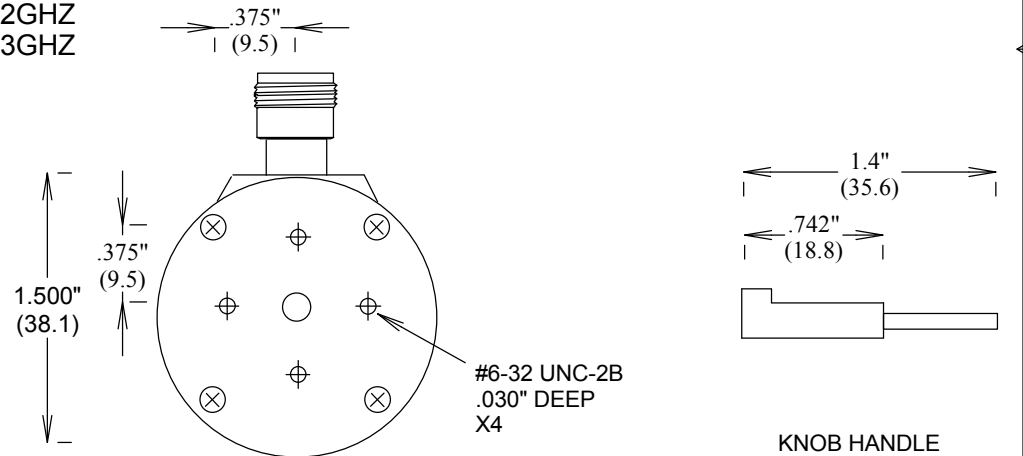
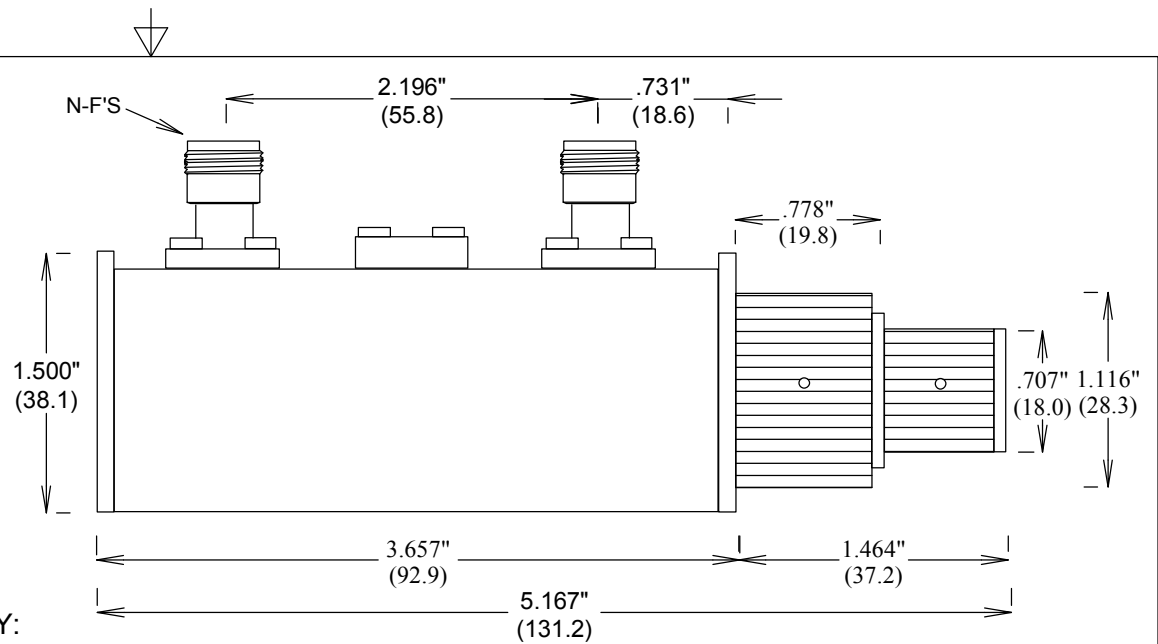
ATTENUATION ACCURACY:
 GREATER OF +/- .25DB OR 1.5% @ 1GHZ
 GREATER OF +/- .35DB OR 2.0% @ 2GHZ
 GREATER OF +/- .50DB OR 3.0% @ 3GHZ

INSERTION LOSS:
 0.6DB MAX @ 1GHZ
 1.0DB MAX @ 2GHZ
 1.5DB MAX @ 3GHZ

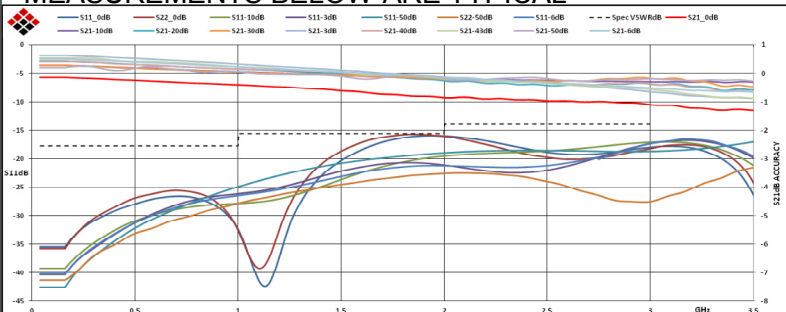
ENVIRONMENTAL:

TEMP: -55° C TO +100° C

ROHS COMPLIANT



MEASUREMENTS BELOW ARE TYPICAL



ALL DIMENSIONS IN inches(MM) Typical

FAIRVIEW MICROWAVE INC.

ALLEN, TX 75013 WWW.FAIRVIEWMICROWAVE.COM

TITLE

STEP ATTEN. N-F'S 3GHZ
50DB 1DB STEPS

SIZE

A

CAGE CODE

3FKR5

DWG NO

SA3550N

REV

C

SCALE

SHEET