

# SMA/MALE SMA/FEMALE REVERSE POLARITY 3 GHZ ATTENUATOR

## SA3R-XX SPECIFICATIONS

### ELECTRICAL:

FREQUENCY: 0-3 GHZ  
 VSWR 1.25 MAX TO 3 GHZ  
 POWER (AVG) 2 WATTS @ 25° C  
 POWER (PEAK) 100 WATTS  
 POWER COEFFICIENT: 0.001dB/W

ATTENUATION ACCURACY:		
	DC-2GHz	2-3GHz
6dB-20dB	±0.2 dB	±0.3 dB

IMPEDANCE: 50 OHMS

### MECHANICAL:

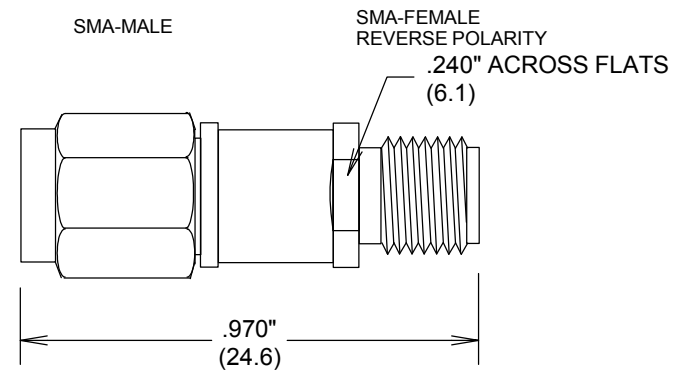
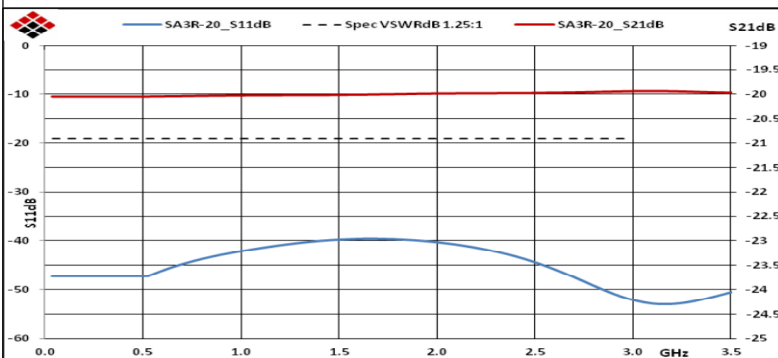
MATERIAL BODY: NICKEL PLATED BRASS  
 MATERIAL CONTACT: PHOSPHOR BRONZE  
 CONTACT PLATING: NICKEL

### ENVIRONMENTAL:

TEMP: -50°C TO +80°C

### ROHS COMPLIANCE

MEASUREMENTS BELOW ARE TYPICAL



ALL DIMENSIONS IN inches(MM) Typical

**FAIRVIEW MICROWAVE INC.**

ALLEN, TX 75013 WWW.FAIRVIEWMICROWAVE.COM

TITLE

**SMA/MALE SMA/FEMALE REVERSE  
POLARITY 3 GHZ ATTENUATOR**

SIZE

**A**

CAGE CODE

**3FKR5**

DWG NO

**SA3R-XX**

REV

**A**

SCALE

SHEET