

5 to 95 dB Continuously Variable Attenuator SMA Female to SMA Female Right Angle Up to 4 GHz Rated to 5 Watts in a Dial Design

Electrical Specifications*

Description	Min	Typ	Max	Units
Frequency Range	DC		4	GHz
Impedance		50		Ohms
Attenuation Value		5 to 95		dB
Step Type		Dial		
Insertion Loss		5		dB
Input Power			5	Watts
Peak Power			500	Watts
VSWR			1.8:1	

* Values at 25°C, sea level

Specifications by Frequency

Description	F1	F2	F3	F4	F5	Units
Range	DC to 1	1 to 2	2 to 3	3 to 4		GHz
VSWR	1.5:1	1.6:1	1.7:1	1.8:1		

Mechanical Specifications

Temperature

Operating Range	0 to +85 deg C
Storage Range	+125 to -55 deg C

Size

Length	2.38 in [60.45 mm]
Width	4.52 in [114.81 mm]
Height	4.52 in [114.81 mm]
Weight	2.6175 lbs [1.19 kg]

Connectors

Description	Connector 1	Connector 2
Type	SMA Female	SMA Female
Connector Spec.	MIL-STD-348	MIL-STD-348



Features:

- Design: Continuously Variable, Bidirectional Attenuator
- Connector 1: SMA Female
- Connector 2: SMA Female

Fairview Microwave
 301 Leora Ln., Suite 100
 Lewisville, TX 75056
 Tel: 1-800-715-4396 / (972) 649-6678
 Fax: (972) 649-6689
www.fairviewmicrowave.com
sales@fairviewmicrowave.com

Compliance Certifications (see [product page](#) for current document)

Plotted and Other Data

Notes:

- Values at 25 °C, sea level

5 to 95 dB Continuously Variable Attenuator SMA Female to SMA Female Right Angle Up to 4 GHz Rated to 5 Watts in a Dial Design from Fairview Microwave is in-stock and available to ship same-day. All of our RF/microwave products are available off-the-shelf from our ISO 9001:2008 certified facilities in Lewisville, Texas. Fairview Microwave is RF on-demand.

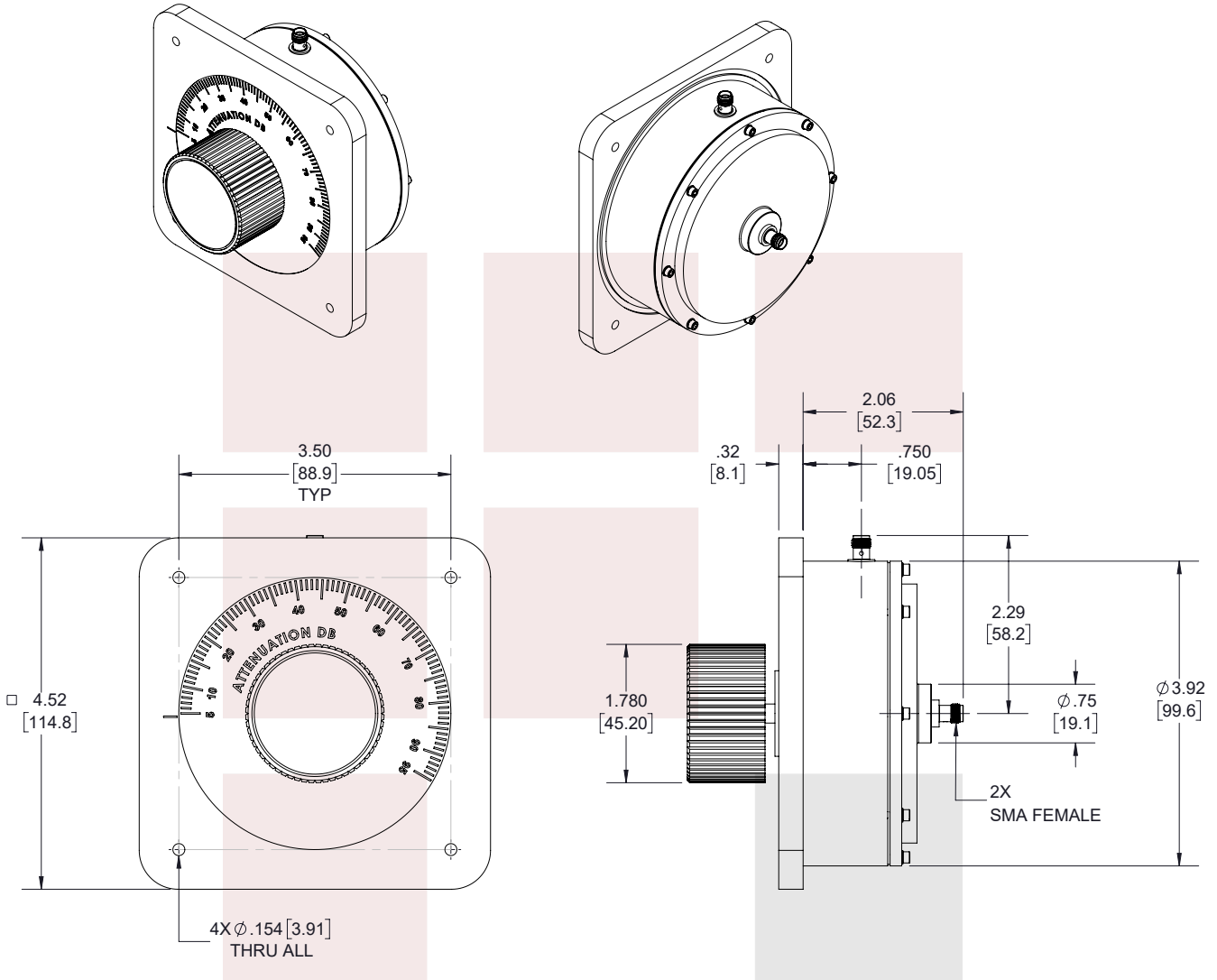
For additional information on this product, please click the following link: [5 to 95 dB Continuously Variable Attenuator SMA Female to SMA Female Right Angle Up to 4 GHz Rated to 5 Watts in a Dial Design SA4090](#)

URL: <https://www.fairviewmicrowave.com/90db-continuous-attenuator-sma-female-sma-female-5-watts-sa4090-p.aspx>

The information contained in this document is accurate to the best of our knowledge and representative of the part described herein. It may be necessary to make modifications to the part and/or the documentation of the part, in order to implement improvements. Fairview Microwave reserves the right to make such changes as required. Unless otherwise stated, all specifications are nominal. Fairview Microwave does not make any representation or warranty regarding the suitability of the part described herein for any particular purpose, and Fairview Microwave does not assume any liability arising out of the use of any part or documentation.



REVISIONS			
REV.	DESCRIPTION	DATE	APPROVED
B	PCR SA4090 2022023	02/15/2022	SPONG



THESE COMMODITIES, TECHNOLOGY OR SOFTWARE WERE EXPORTED FROM THE UNITED STATES IN ACCORDANCE WITH THE EXPORT ADMINISTRATION REGULATIONS. DIVERSION CONTRARY TO U.S. LAW PROHIBITED.

TITLE

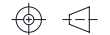
5 to 95 dB Continuously Variable Attenuator SMA Female to SMA Female Right Angle Up to 4 GHz Rated to 5 Watts in a Dial Design

UNLESS OTHERWISE SPECIFIED LEADING DIMENSIONS ARE INCHES
DIMENSIONS IN [] ARE MILLIMETERS

TOLERANCES: CABLE LENGTH (L) TOLERANCES:

.X = ±.2 [5.08]	FRACTIONS ± 1/32	L ≤ 12 [305] = +1 [25] / -0
.XX = ±.02 [.51]	ANGLES ± 1°	12 [305] < L ≤ 60 [1524] = +2 [51] / -0
.XXX = ±.005 [.13]		60 [1524] < L ≤ 120 [3048] = +4 [102] / -0
		120 [3048] < L ≤ 300 [7620] = +6 [152] / -0
		300 [7620] < L = +5%L / -0

THIRD-ANGLE PROJECTION



THE INFORMATION AND DESIGN IN THIS DOCUMENT IS THE PROPERTY OF FAIRVIEW MICROWAVE CORPORATION. ALL RIGHTS RESERVED.

SHEET 1 OF 1

ALL DIMENSIONS SHOWN ARE FOR REFERENCE ONLY.

SCALE N/A

SIZE A	CAGE CODE 3FKR5	DRAWN BY KDANG	ITEM NO. SA4090	REV B
-----------	--------------------	-------------------	--------------------	----------

T-Rev.D