

# ATTENUATORS SMB PLUG/JACK 4 GHZ

SA4B-XX

## SPECIFICATIONS

### ELECTRICAL:

FREQUENCY: 0-4 GHZ  
 VSWR @ DC - 2 GHZ : 1.10:1 MAX  
 VSWR @ 2 - 4 GHZ: 1.25:1 MAX

### INSERTION LOSS

DC-2 GHZ (10 DB):  $\pm 0.2$  DB  
 2-4 GHZ (10 DB):  $\pm 0.3$  DB  
 POWER (AVG) 2 WATTS @ 25 DEG C  
 POWER (PEAK) 100 WATTS FOR 25 MICROSECONDS  
 POWER COEFFICIENT: 0.001DB/W  
 IMPEDANCE: 50 OHMS

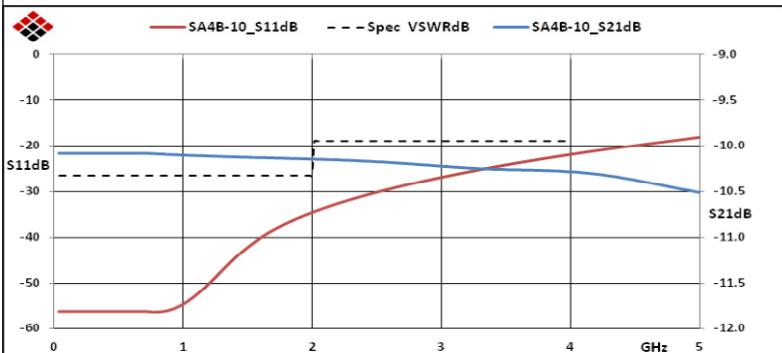
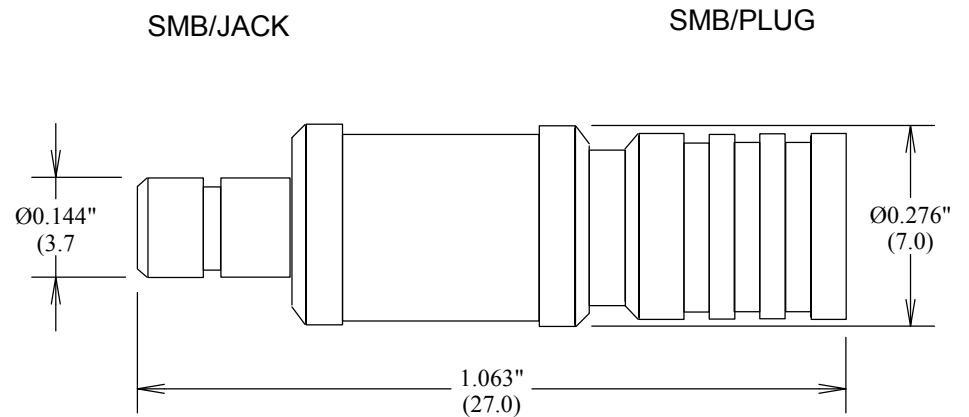
### MECHANICAL:

MATERIAL BODY: BRASS  
 MATERIAL CONTACTS: BeCu  
 INSULATOR: TEFLON

### ENVIRONMENTAL:

TEMP: -50° C TO +80° C

ROHS COMPLIANT



ALL DIMENSIONS IN inches(MM) Typical

**FAIRVIEW MICROWAVE INC.**

ALLEN, TX 75013 WWW.FAIRVIEWMICROWAVE.COM

TITLE

**ATTENUATORS SMB  
 PLUG/JACK 4 GHZ**

SIZE

**A**

CAGE CODE

3FKR5

DWG NO

**SA4B-XX**

REV

A

SCALE

SHEET