

ATTENUATORS 7/16 M/F 4 GHZ 25 WATTS

SA4D251-XX

SPECIFICATIONS

ELECTRICAL:

FREQUENCY: 0-4 GHZ
 IMPEDANCE: 50 OHMS
 VSWR 1.25 MAX
 POWER (AVG) 25 WATTS @ 25 DEG C BIDIRECTIONAL
 DERATED LINEARLY TO 2.5 W @ 125°C
 POWER (PEAK) 1 KW
 5µs PULSE WIDTH WITH 2.5% DUTY CYCLE

ATTENUATION ACCURACY				
1-9 dB	10 dB	20 dB	30 dB	40 dB
±0.5	±0.6	±0.75	±0.75	±1.0

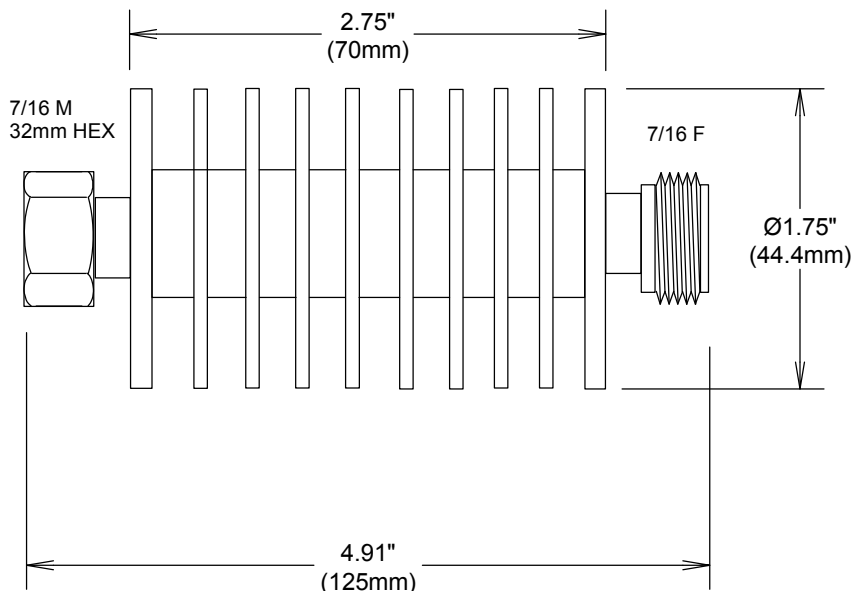
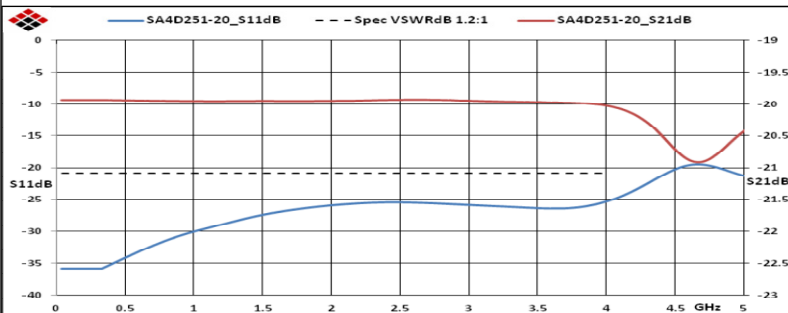
MECHANICAL:

MATERIAL CONNECTORS: NICKEL PLATED BRASS
 MATERIAL CONTACTS MALE: Au PLATED BRASS
 MATERIAL CONTACTS FEMALE: Si PLATED BeCu

TEMP: -55 C TO +125 C

ROHS COMPLIANT

MEASUREMENTS BELOW ARE TYPICAL



FAIRVIEW MICROWAVE INC.

ALLEN, TX 75013 WWW.FAIRVIEWMICROWAVE.COM

TITLE

ATTENUATORS 7/16 M/F 4 GHZ 25 WATTS

SIZE A	CAGE CODE 3FKR5	DWG NO SA4D251-XX	REV A
SCALE		SHEET	

ALL DIMENSIONS IN inches(mm) Typical