

Paddle Dual Band Antenna Operates From 2.4 GHz to 5 GHz With a Nominal 6 dBi Gain RP SMA Male Input Connector Rated

Configuration

Design	Portable
Frequency Range	2.4 to 5 GHz
Gain	3.5 to 6 dBi
Connector Type	SMA Male Reverse Polarity
Number of Ports	1

Electrical Specifications

Description	Min	Typ	Max	Units
Impedance		50		Ohms
Gain		6		dBi
VSWR			2:1	

Specifications by Frequency

Description	Band 1	Band 2	Band 3	Band 4	Band 5	Units
Range	2.4-2.5	5-5.9				GHz
Gain	3.5	6				dBi

Mechanical Specifications
Size

Length	4.9 in [124.46 mm]
Width	0.9 in [22.86 mm]
Height	0.5 in [12.7 mm]
Weight	0.045 lbs [20.41 g]

Environmental Specifications
Temperature

Operating Range	-10 to +55 deg C
-----------------	------------------

Compliance Certifications (see [product page](#) for current document)

Plotted and Other Data

Notes:



Fairview Microwave
 301 Leora Ln., Suite 100
 Lewisville, TX 75056
 Tel: 1-800-715-4396 / (972) 649-6678
 Fax: (972) 649-6689
www.fairviewmicrowave.com
sales@fairviewmicrowave.com

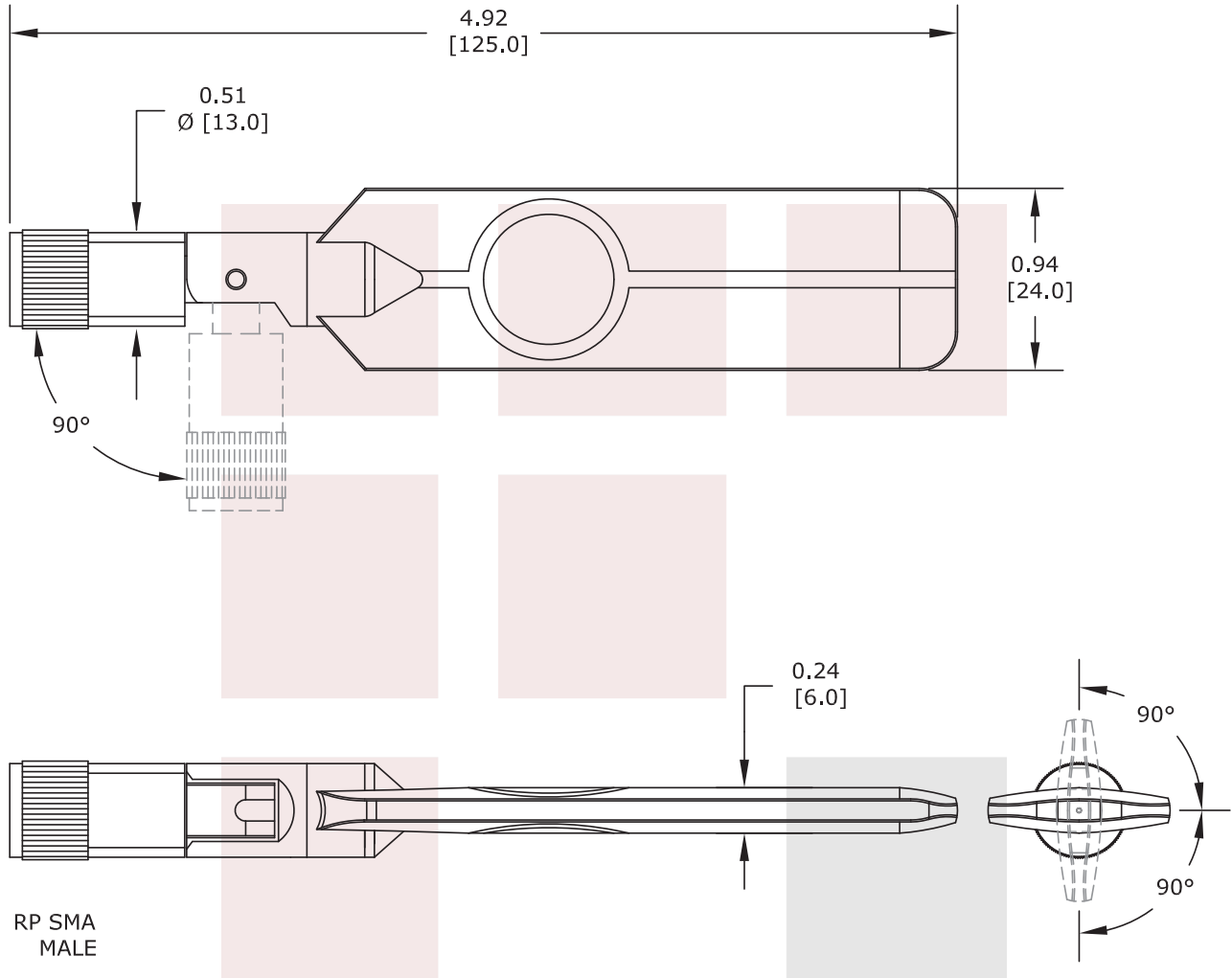
Paddle Dual Band Antenna Operates From 2.4 GHz to 5 GHz With a Nominal 6 dBi Gain RP SMA Male Input Connector Rated from Fairview Microwave is in-stock and available to ship same-day. All of our RF/microwave products are available off-the-shelf from our ISO 9001:2008 certified facilities in Lewisville, Texas. Fairview Microwave is RF on-demand.

For additional information on this product, please click the following link: [Paddle Dual Band Antenna Operates From 2.4 GHz to 5 GHz With a Nominal 6 dBi Gain RP SMA Male Input Connector Rated SANT-2110](#)

URL: <https://www.fairviewmicrowave.com/paddle-dual-band-antenna-6-dbi-sma-male-sant-2110-p.aspx>

The information contained in this document is accurate to the best of our knowledge and representative of the part described herein. It may be necessary to make modifications to the part and/or the documentation of the part, in order to implement improvements. Fairview Microwave reserves the right to make such changes as required. Unless otherwise stated, all specifications are nominal. Fairview Microwave does not make any representation or warranty regarding the suitability of the part described herein for any particular purpose, and Fairview Microwave does not assume any liability arising out of the use of any part or documentation.





FAIRVIEW MICROWAVE INC. ALLEN, TX 75013 WWW.FAIRVIEWMICROWAVE.COM		NOTES: 1. UNLESS OTHERWISE SPECIFIED ALL DIMENSIONS ARE NOMINAL. 2. ALL SPECIFICATIONS ARE SUBJECT TO CHANGE WITHOUT NOTICE AT ANY TIME. 3. DIMENSIONS ARE IN INCHES [mm].			
TITLE Paddle Dual Band Antenna Operates From 2.4 GHz to 5 GHz With a Nominal 6 dBi Gain RP SMA Male Input Connector Rated		DWG NO SANT-2110		CAGE CODE 3FKR5	
		CAD FILE 061915	SHEET	SCALE N/A	SIZE A