

2.92mm Bias Tee from 500 MHz to 40 GHz Rated to 1000 mA and 50 Volts DC

Fairview Microwave's SB4030 is a 2.92mm bias tee (also known as bias T) that operates from 500 MHz to 40 GHz with a bias rating of 1,000 mA and 50 VDC. This bias tee is configured with 2.92mm inputs on the RF ports and solder pin on the bias port. SB4030 2.92mm bias T offers good electrical performance featuring 1.8 dB max insertion loss and 2:1 max VSWR.

Bias tees are typically used to inject a DC signal into an RF path such as when biasing an amplifier or any other active device, supplying power to the connected output without disrupting the RF signal. They can also be used as DC returns to provide a ground return path for the input device or DC blocks to prevent direct current signals from flowing through the output device. Fairview Microwave's bias tees are available in various connector configurations over different frequency bands to fit your needs, all of which ship the same day.

Electrical Specifications

Description	Min	Typ	Max	Units
Frequency Range	0.5		40	GHz
Impedance		50		Ohms
VSWR		1.6:1	2:1	
Insertion Loss		1.5	1.8	dB
DC Voltage			50	Vdc
DC Current			1	A

Electrical Specification Notes:
 Values at +25°C, sea level.

Mechanical Specifications

Size	
Length	0.365 in [9.27 mm]
Width	0.834 in [21.18 mm]
Height	0.75 in [19.05 mm]
Weight	0.0315 lbs [14.29 g]
Package Type	Connectorized

Environmental Specifications

Temperature	
Operating Range	-40 to +85 deg C
Storage Range	-55 to +125 deg C
Humidity	MIL-STD-202G, Method 103B, Cond. B
Shock	MIL-STD-202G, Method 213B, Cond. B
Vibration	MIL-STD-202G, Method 204D, Cond. B
Altitude	MIL-STD-202G, Method 105C, Cond. B
Thermal Shock	MIL-STD-202G, Method 107G, Cond. A

Compliance Certifications (see [product page](#) for current document)

Plotted and Other Data

Notes:



Configuration:

- Design: Broadband
- RF Port Connector: 2.92mm Female
- DC/RF Port Connector: 2.92mm Female
- DC Port Connector: Solder Pin

Features:

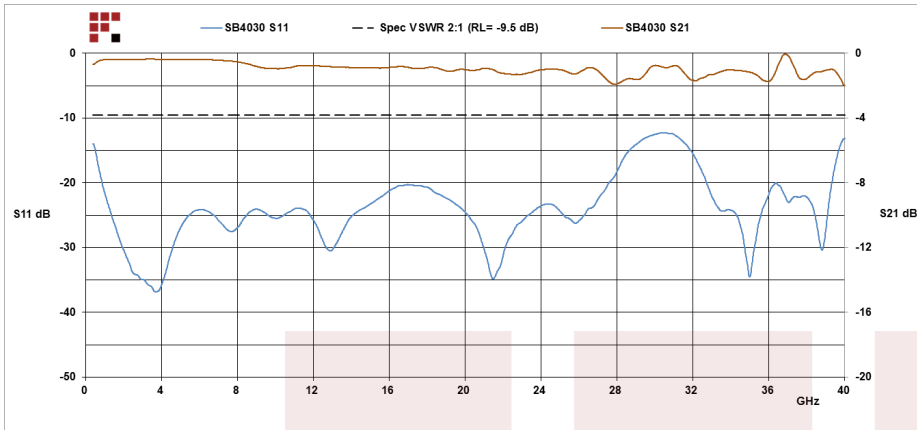
- 500 MHz to 40 GHz Frequency Range
- VSWR < 2:1
- Insertion Loss < 1.8 dB
- 1,000 mA / 50 VDC Bias

Applications:

- Amplifier Biasing
- DC Return / Block
- Transmitting Power With a Single Coax
- Test and Measurement
- Communication Systems
- Wireless Systems

Fairview Microwave
 301 Leora Ln., Suite 100
 Lewisville, TX 75056
 Tel: 1-800-715-4396 / (972) 649-6678
 Fax: (972) 649-6689
www.fairviewmicrowave.com
sales@fairviewmicrowave.com

Typical Performance Data



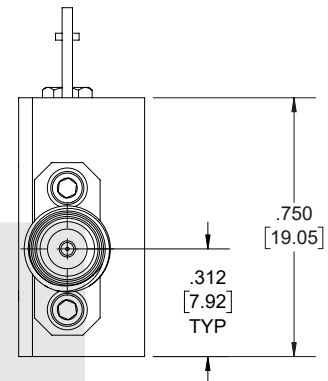
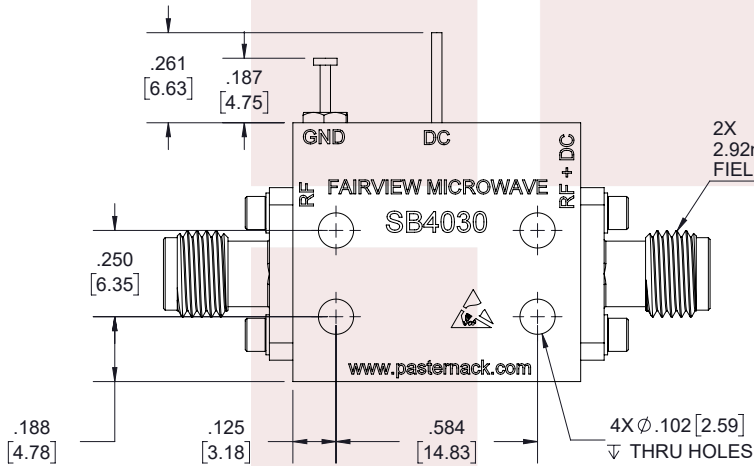
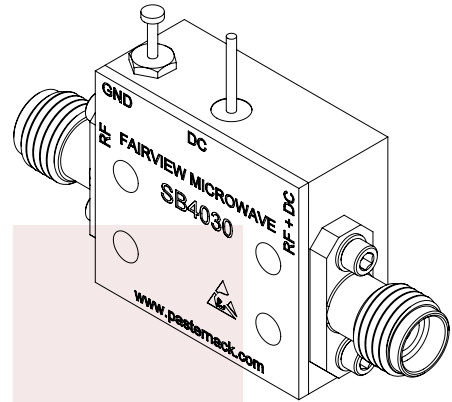
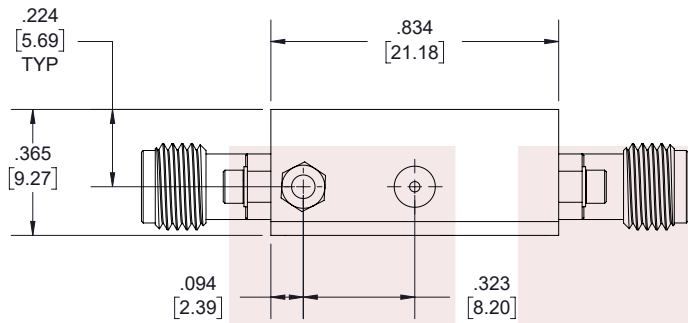
2.92mm Bias Tee from 500 MHz to 40 GHz Rated to 1000 mA and 50 Volts DC from Fairview Microwave is in-stock and available to ship same-day. All of our RF/microwave products are available off-the-shelf from our ISO 9001:2008 certified facilities in Lewisville, Texas. Fairview Microwave is RF on-demand.

For additional information on this product, please click the following link: [2.92mm Bias Tee from 500 MHz to 40 GHz Rated to 1000 mA and 50 Volts DC SB4030](https://www.fairviewmicrowave.com/2.92mm-bias-tee-500-mhz-40-ghz-1000-ma-50-volts-dc-sb4030)

URL: <https://www.fairviewmicrowave.com/2.92mm-bias-tee-500-mhz-40-ghz-1000-ma-50-volts-dc-sb4030-p.aspx>

The information contained in this document is accurate to the best of our knowledge and representative of the part described herein. It may be necessary to make modifications to the part and/or the documentation of the part, in order to implement improvements. Fairview Microwave reserves the right to make such changes as required. Unless otherwise stated, all specifications are nominal. Fairview Microwave does not make any representation or warranty regarding the suitability of the part described herein for any particular purpose, and Fairview Microwave does not assume any liability arising out of the use of any part or documentation.

REVISIONS			
REV.	DESCRIPTION	DATE	APPROVED
A	PCR PE1622	12/24/2019	S.PONG



THESE COMMODITIES, TECHNOLOGY OR SOFTWARE WERE EXPORTED FROM THE UNITED STATES IN ACCORDANCE WITH THE EXPORT ADMINISTRATION REGULATIONS. DIVERSION CONTRARY TO U.S. LAW PROHIBITED.

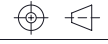
TITLE
2.92mm Bias Tee from 500 MHz to 40 GHz Rated to 1000 mA and 50 Volts DC

UNLESS OTHERWISE SPECIFIED LEADING DIMENSIONS ARE INCHES
DIMENSIONS IN [] ARE MILLIMETERS

TOLERANCES: CABLE LENGTH (L) TOLERANCES:

.X = ±.2 [5.08]	FRACTIONS	L ≤ 12 [305] = +1 [25] / -0
.XX = ±.02 [.51]	± 1/32	12 [305] < L ≤ 60 [1524] = +2 [51] / -0
.XXX = ±.005 [.13]	ANGLES ± 1°	60 [1524] < L ≤ 120 [3048] = +4 [102] / -0
		120 [3048] < L ≤ 300 [7620] = +6 [152] / -0
		300 [7620] < L = +5%L / -0

THIRD-ANGLE PROJECTION



THE INFORMATION AND DESIGN IN THIS DOCUMENT IS THE PROPERTY OF FAIRVIEW MICROWAVE CORPORATION. ALL RIGHTS RESERVED.

SHEET 1 OF 1

ALL DIMENSIONS SHOWN ARE FOR REFERENCE ONLY.

SCALE N/A

SIZE A	CAGE CODE 3FKR5	DRAWN BY K.DANG	ITEM NO. SB4030	REV A
-----------	--------------------	--------------------	--------------------	----------

T-Rev.D