

**N Bias Tee from 10 MHz to 4.2 GHz Rated to 1000 mA and 72 Volts DC**
**Electrical Specifications**

| Description      | Min  | Typ | Max    | Units |
|------------------|------|-----|--------|-------|
| Frequency Range  | 0.01 |     | 4.2    | GHz   |
| Impedance        |      | 50  |        | Ohms  |
| VSWR             |      |     | 1.25:1 |       |
| Insertion Loss   |      |     | 1.25   | dB    |
| DC Voltage       |      |     | 72     | Vdc   |
| DC Current       |      |     | 1      | A     |
| Input Power (CW) |      |     | 5      | Watts |

**Mechanical Specifications**
**Size**

|        |                     |
|--------|---------------------|
| Length | 3.012 in [76.5 mm]  |
| Width  | 0.787 in [19.99 mm] |
| Height | 1.575 in [40.01 mm] |
| Weight | 0.205 lbs [92.99 g] |

**Connectors**
**RF Connector**

| Description                          | Connector     |
|--------------------------------------|---------------|
| Type                                 | N Male        |
| Inner Conductor Material and Plating | Brass, Gold   |
| Body Material and Plating            | Brass, Nickel |
| Coupling Nut Material and Plating    | Brass, Nickel |

**RF/DC Connector**

| Description                          | Connector              |
|--------------------------------------|------------------------|
| Type                                 | N Female               |
| Inner Conductor Material and Plating | Beryllium Copper, Gold |
| Outer Conductor Material and Plating | Brass, Nickel          |

**DC Port**

| Description                          | Connector              |
|--------------------------------------|------------------------|
| Type                                 | Pin Female             |
| Inner Conductor Material and Plating | Beryllium Copper, Gold |
| Outer Conductor Material and Plating | Brass, Nickel          |


**Configuration:**

- RF Port Connector: N Male
- DC/RF Port Connector: N Female
- DC Port Connector: Pin Female

Fairview Microwave  
 301 Leora Ln., Suite 100  
 Lewisville, TX 75056  
 Tel: 1-800-715-4396 / (972) 649-6678  
 Fax: (972) 649-6689  
[www.fairviewmicrowave.com](http://www.fairviewmicrowave.com)  
[sales@fairviewmicrowave.com](mailto:sales@fairviewmicrowave.com)

**Environmental Specifications**

**Temperature**

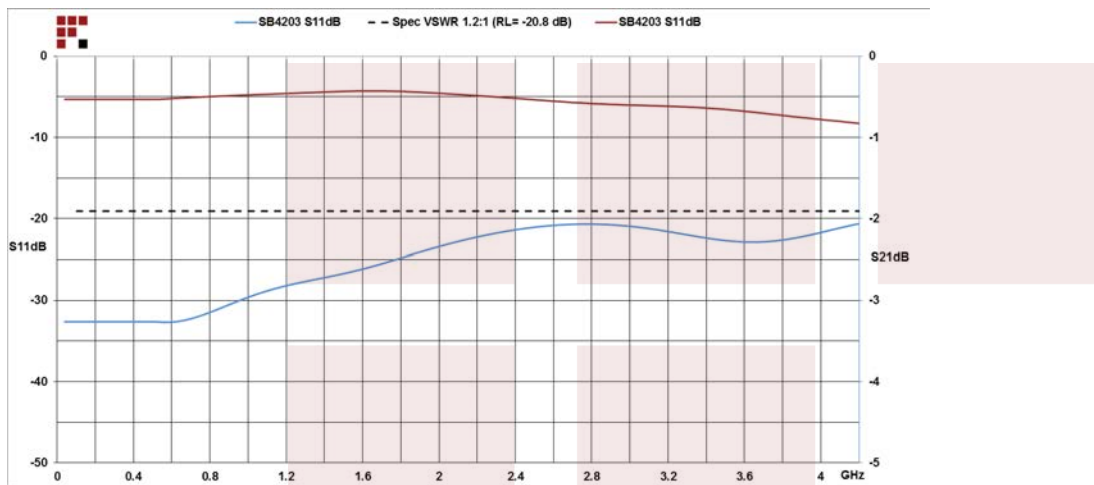
Operating Range -40 to +65 deg C

**Compliance Certifications** (see [product page](#) for current document)

**Plotted and Other Data**

Notes:

**Typical Performance Data**

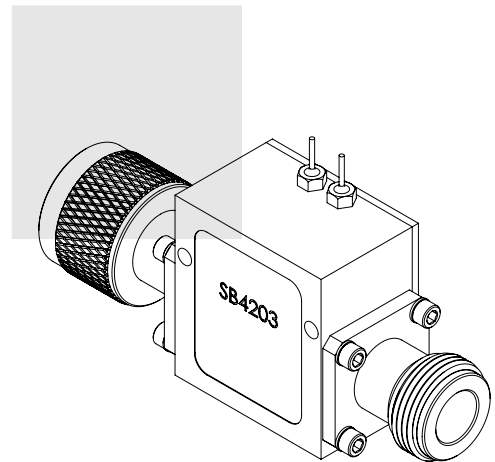
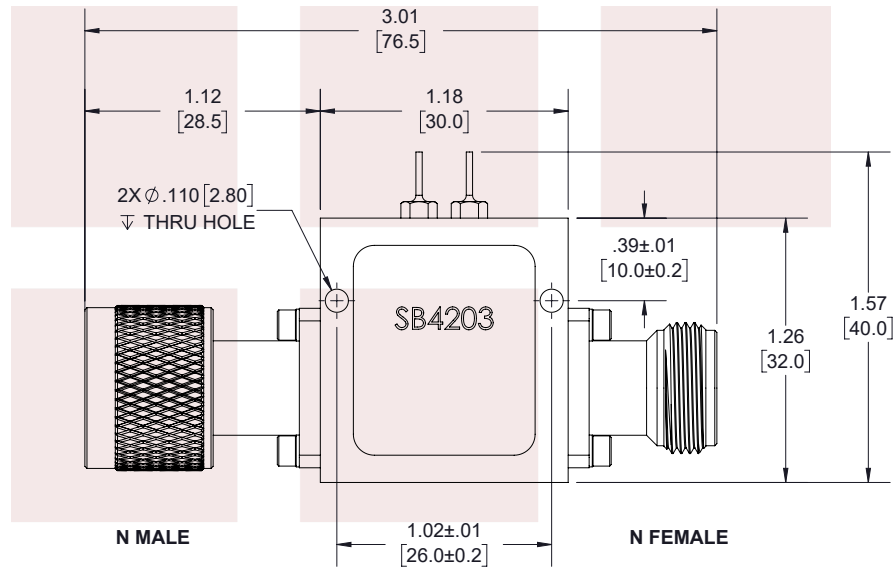
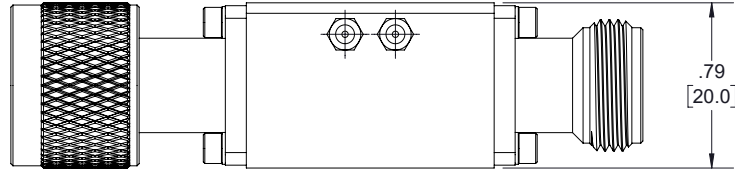


N Bias Tee from 10 MHz to 4.2 GHz Rated to 1000 mA and 72 Volts DC from Fairview Microwave is in-stock and available to ship same-day. All of our RF/microwave products are available off-the-shelf from our ISO 9001:2008 certified facilities in Allen, Texas. Fairview Microwave is RF on-demand.

For additional information on this product, please click the following link: [N Bias Tee from 10 MHz to 4.2 GHz Rated to 1000 mA and 72 Volts DC SB4203](#)

URL: <https://www.fairviewmicrowave.com/n-bias-tee-10-mhz-4.2-ghz-1000-ma-72-volts-dc-sb4203-p.aspx>

The information contained in this document is accurate to the best of our knowledge and representative of the part described herein. It may be necessary to make modifications to the part and/or the documentation of the part, in order to implement improvements. Fairview Microwave reserves the right to make such changes as required. Unless otherwise stated, all specifications are nominal. Fairview Microwave does not make any representation or warranty regarding the suitability of the part described herein for any particular purpose, and Fairview Microwave does not assume any liability arising out of the use of any part or documentation.



**STANDARD TOLERANCES**

.X ±0.2  
.XX ±0.01  
.XXX ±0.005

\*STANDARD TOLERANCES APPLY ONLY TO DIMENSIONS IN INCHES

NOTES:  
1. UNLESS OTHERWISE SPECIFIED ALL DIMENSIONS ARE NOMINAL.  
2. ALL SPECIFICATIONS ARE SUBJECT TO CHANGE WITHOUT NOTICE AT ANY TIME.  
3. DIMENSIONS ARE IN INCHES [mm].

|   |                         |                 |                           |           |      |  |
|---|-------------------------|-----------------|---------------------------|-----------|------|--|
| TITLE<br>N Bias Tee from 10 MHz to 4.2 GHz Rated to 1000 mA and 72 Volts DC | DWG NO<br><b>SB4203</b> |                 | CAGE CODE<br><b>3FKR5</b> |           |      |  |
|   | CAD FILE<br>06/17/19    | SHEET<br>1 OF 1 | SCALE<br>N/A              | SIZE<br>A | 7361 |  |