

## Tunable Band Reject Filter With N Female Connectors From 1 GHz to 2 GHz With a 1% Bandwidth

Fairview Microwave's hand-tunable RF filters are commonly used in lab environments for testing many frequency bands including PCS, UHF, PMR, Tetra, LTE, and WiFi. The tunable band pass filters and band reject filters, also known as band-stop filters or band-rejection filters, are effective in band selection or frequency discrimination with high attenuation greater than 50 dB possible, allowing for excellent noise, harmonic and adjacent-band reduction. Each of the new bandpass filters and band reject filters from Fairview are rated to 50 Watts power handling and are designed with N female connectors. Fairview's all new family of tunable RF filters are available from stock and can ship same-day.



### Features:

- Design: Tunable Filter
- Connector 1: N Female
- Connector 2: N Female

### Electrical Specifications\*

Description	Min	Typ	Max	Units
Usable Frequency	1		2	GHz
Bandwidth		9 to 24		MHz
Nominal Bandwidth		1		%
40 dB Bandwidth	400			KHz
Notch Depth		45		dB
Tuning Dial Accuracy	1			%
VSWR			1.5:1	
Impedance		50		Ohms
Input Power (CW)			50	Watts

\* Values at 25°C, sea level

### Mechanical Specifications

#### Temperature

Operating Range	-55 to +85 deg C
Storage Range	-55 to +125 deg C

#### Size

Length	6.56 in 166.62 mm
Width	2.88 in 73.15 mm
Height	2.75 in 69.85 mm
Weight	3.623 lbs 1.64 kg

#### Connectors

Description	Connector 1	Connector 2
Type	N Female	N Female

**Compliance Certifications** (see [product page](#) for current document)

### Plotted and Other Data

Notes:

- Values at 25 °C, sea level

Fairview Microwave  
 301 Leora Ln., Suite 100  
 Lewisville, TX 75056  
 Tel: 1-800-715-4396 / (972) 649-6678  
 Fax: (972) 649-6689  
[www.fairviewmicrowave.com](http://www.fairviewmicrowave.com)  
[sales@fairviewmicrowave.com](mailto:sales@fairviewmicrowave.com)

Tunable Band Reject Filter With N Female Connectors From 1 GHz to 2 GHz With a 1% Bandwidth from Fairview Microwave is in-stock and available to ship same-day. All of our RF/microwave products are available off-the-shelf from our ISO 9001:2008 certified facilities in Lewisville, Texas. Fairview Microwave is RF on-demand.

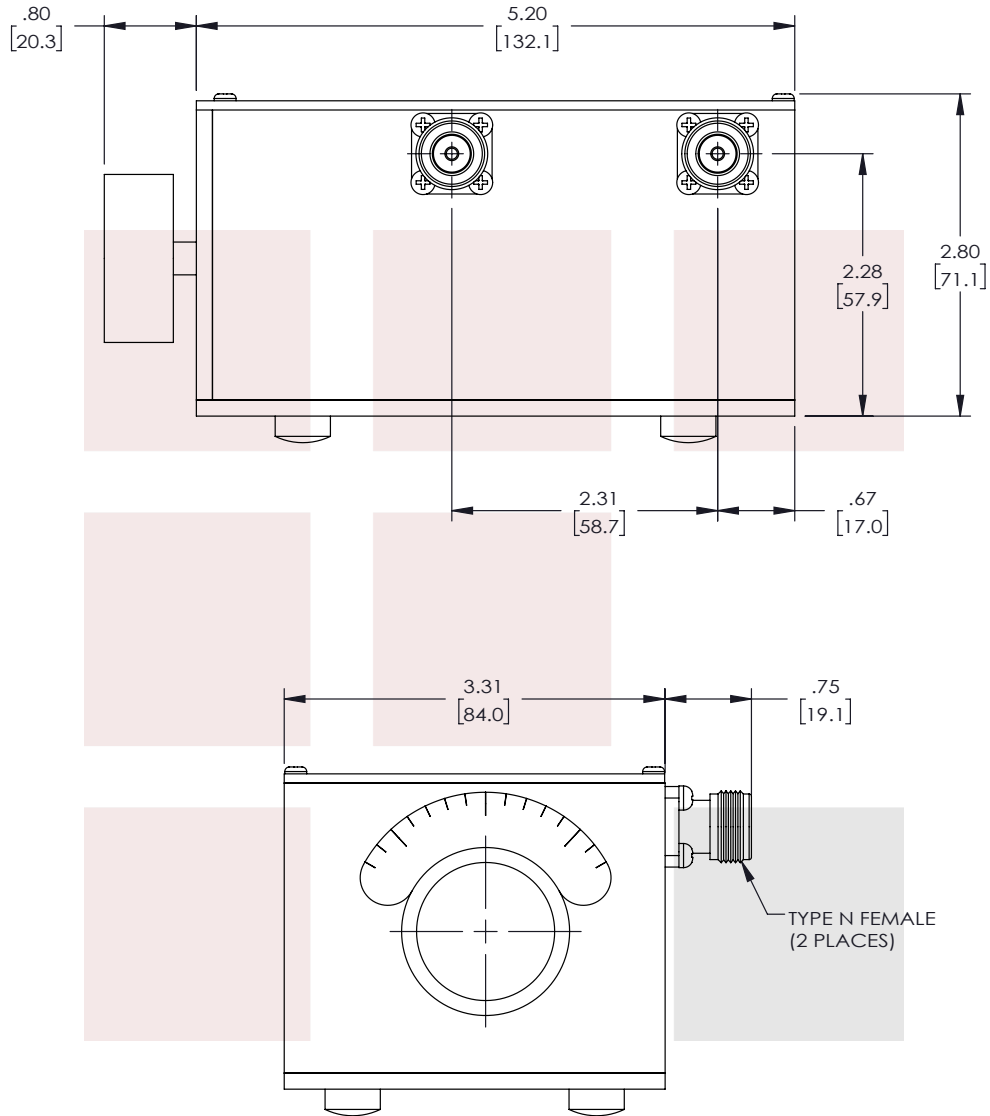
For additional information on this product, please click the following link: [Tunable Band Reject Filter With N Female Connectors From 1 GHz to 2 GHz With a 1% Bandwidth SBRF-1000-2000-01-N](#)

URL: <https://www.fairviewmicrowave.com/tunable-band-reject-filter-n-female-1000-mhz-2-ghz-sbrf-1000-2000-01-n-p.aspx>

The information contained in this document is accurate to the best of our knowledge and representative of the part described herein. It may be necessary to make modifications to the part and/or the documentation of the part, in order to implement improvements. Fairview Microwave reserves the right to make such changes as required. Unless otherwise stated, all specifications are nominal. Fairview Microwave does not make any representation or warranty regarding the suitability of the part described herein for any particular purpose, and Fairview Microwave does not assume any liability arising out of the use of any part or documentation.



REVISIONS			
REV.	DESCRIPTION	DATE	APPROVED
A	PCR SBRF-1000-2000-01-N 20200903	09/25/20	SPONG



THESE COMMODITIES, TECHNOLOGY OR SOFTWARE WERE EXPORTED FROM THE UNITED STATES IN ACCORDANCE WITH THE EXPORT ADMINISTRATION REGULATIONS. DIVERSION CONTRARY TO U.S. LAW PROHIBITED.

TITLE  
Tunable Band Reject Filter With N Female Connectors  
From 1 GHz to 2 GHz With a 1% Bandwidth

UNLESS OTHERWISE SPECIFIED LEADING DIMENSIONS ARE INCHES DIMENSIONS IN [ ] ARE MILLIMETERS		THIRD-ANGLE PROJECTION	
TOLERANCES:			
CABLE LENGTH (L) TOLERANCES:		THE INFORMATION AND DESIGN IN THIS DOCUMENT IS THE PROPERTY OF FAIRVIEW MICROWAVE CORPORATION. ALL RIGHTS RESERVED.	
.X = ±.2 [5.08]	FRACTIONS ± 1/32	L ≤ 12 [305] = +1 [25] / -0	SHEET 1 OF 1
.XX = ±.02 [.51]	ANGLES ± 1°	12 [305] < L ≤ 60 [1524] = +2 [51] / -0	
.XXX = ±.005 [.13]		60 [1524] < L ≤ 120 [3048] = +4 [102] / -0	
		120 [3048] < L ≤ 300 [7620] = +6 [152] / -0	
ALL DIMENSIONS SHOWN ARE FOR REFERENCE ONLY.		SCALE N/A	
SIZE A	CAGE CODE 3FKR5	DRAWN BY SLI	ITEM NO. SBRF-1000-2000-01-N
			REV A

T-Rev.D