

Short Open Load (SOL) Analyzer Calibration Kit with Type N Male Connections in a portable 3-in-1 Design and Operating to 4 GHz

Short Open Load (SOL) Analyzer Calibration Kit, part number SC1072, from Fairview Microwave is in-stock and ships same day. This N female SOL cal kit is designed to be portable, allowing for quick, effective short open load calibrations in the field. The calibration components are integrated into a single, compact 3-in-1 kit. This allows for easy transport and storage. The unit can be used for open short load (OSL) calibrations on many different analyzers, including site analyzers, vector network analyzers and cable analyzers.

Fairview's short open load, 3-in-1 calibration kit SC1072 datasheet, specifications and outline drawing are shown in the PDF below. Our extensive offering of RF, microwave and millimeter wave components allows designers to configure and customize their test set-ups and calibrations however they like. From performing OSL calibrations, field calibrations or VNA calibrations, Fairview Microwave has the right cal kits and other test solutions to meet your needs.

Configuration

Connector	N Male Short Open Load
Calibration Kit Component	3-in-1

Electrical Specifications

Frequency Range	DC to 4 GHz
-----------------	-------------

Open

Short

Load

Mechanical Specifications

Size

Length	2.56 in [65.02 mm]
Width	1 in [25.4 mm]
Height	2.28 in [57.91 mm]
Weight	0.358 lbs [162.39 g]

Connector

Type	N Male Short Open Load
Body Material and Plating	Aluminum

Compliance Certifications (see [product page](#) for current document)

Plotted and Other Data

Notes:

- Values at 25 °C, sea level



Features:

- Lightweight 3-in-1 Design
- Integrated Short Open Load (SOL)
- In Stock and Ready to Ship

Applications:

- Site Troubleshooting
- N Short Open Load Calibration
- Network Analyzer Calibration
- Feeder Cable Test
- SOL or OSL Calibration
- Base Station Analyzers

Fairview Microwave
 301 Leora Ln., Suite 100
 Lewisville, TX 75056
 Tel: 1-800-715-4396 / (972) 649-6678
 Fax: (972) 649-6689
www.fairviewmicrowave.com
sales@fairviewmicrowave.com

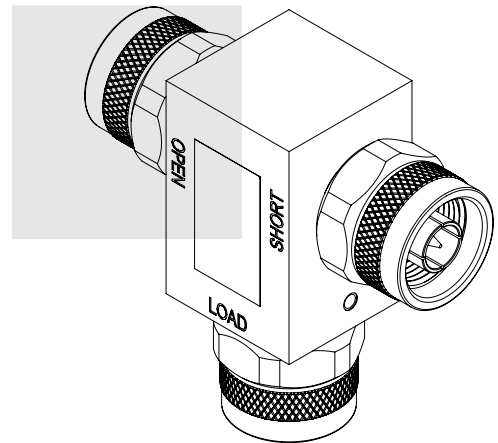
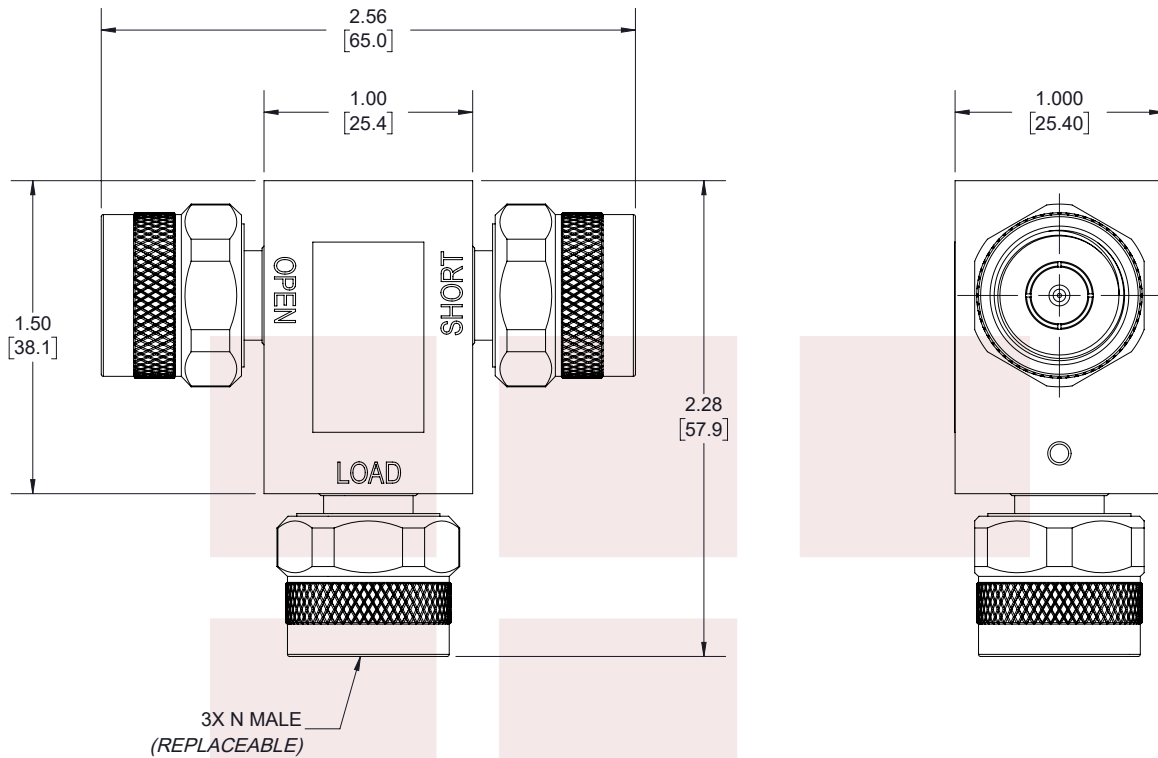
Short Open Load (SOL) Analyzer Calibration Kit with Type N Male Connections in a portable 3-in-1 Design and Operating to 4 GHz from Fairview Microwave is in-stock and available to ship same-day. All of our RF/microwave products are available off-the-shelf from our ISO 9001:2008 certified facilities in Lewisville, Texas. Fairview Microwave is RF on-demand.

For additional information on this product, please click the following link: [Short Open Load \(SOL\) Analyzer Calibration Kit with Type N Male Connections in a portable 3-in-1 Design and Operating to 4 GHz SC1072](#)

URL: <https://www.fairviewmicrowave.com/open-short-load-calibration-kit-type-n-male-sc1072-p.aspx>

The information contained in this document is accurate to the best of our knowledge and representative of the part described herein. It may be necessary to make modifications to the part and/or the documentation of the part, in order to implement improvements. Fairview Microwave reserves the right to make such changes as required. Unless otherwise stated, all specifications are nominal. Fairview Microwave does not make any representation or warranty regarding the suitability of the part described herein for any particular purpose, and Fairview Microwave does not assume any liability arising out of the use of any part or documentation.





LABEL



STANDARD TOLERANCES

- .X ±0.2
- .XX ±0.01
- .XXX ±0.005

*STANDARD TOLERANCES APPLY ONLY TO DIMENSIONS IN INCHES



- NOTES:
 1. UNLESS OTHERWISE SPECIFIED ALL DIMENSIONS ARE NOMINAL.
 2. ALL SPECIFICATIONS ARE SUBJECT TO CHANGE WITHOUT NOTICE AT ANY TIME.
 3. DIMENSIONS ARE IN INCHES [mm].

TITLE Short Open Load (SOL) Analyzer Calibration Kit with Type N Male Connections in a portable 3-in-1 Design and Operating to 4 GHz	DWG NO SC1072		CAGE CODE 3FKR5			
	CAD FILE 01/10/19	SHEET 1 OF 1	SCALE N/A	SIZE A	7361	