

## SMA Open Circuit Connector Cap

RF connector dust cap SC2024 from Fairview Microwave is constructed to be fitted with SMA connectors. This dust cap's body is made of Polyethylene material. The SMA connector cap from Fairview Microwave is in-stock for same day shipment.

RF dust caps are essential for precision connectors to protect them from dust, corrosion and other potential damage especially when using on test and measurement equipment. Some RF connector cap models are designed with a chain to prevent loss or misplacement. Internal shorting connector cap models are available and help to protect equipment from a spike in current commonly caused by ESD (Electro Static Discharge).

### Mechanical Specifications

#### Configuration

Connector

SMA Non-shorting

Description	Material	Plating
Body	PE	

#### Size

Length	0.6 in [15.24 mm]
Width	0.56 in [14.22 mm]
Weight	0.00132 lbs [0.6 g]

### Compliance Certifications (visit [www.FairviewMicrowave.com](http://www.FairviewMicrowave.com) for current document)

RoHS Compliant	Yes
REACH Compliant	12/17/2015

### Plotted and Other Data

Notes:

SMA Open Circuit Connector Cap from Fairview Microwave is in-stock and available to ship same-day. All of our RF/microwave products are available off-the-shelf from our ISO 9001:2008 certified facilities in Allen, Texas. Fairview Microwave is RF on-demand.

For additional information on this product, please click the following link: [SMA Open Circuit Connector Cap SC2024](#)

URL: <https://www.fairviewmicrowave.com/sma-male-open-circuit-connector-cap-sc2024-p.aspx>

The information contained in this document is accurate to the best of our knowledge and representative of the part described herein. It may be necessary to make modifications to the part and/or the documentation of the part, in order to implement improvements. Fairview Microwave reserves the right to make such changes as required. Unless otherwise stated, all specifications are nominal. Fairview Microwave does not make any representation or warranty regarding the suitability of the part described herein for any particular purpose, and Fairview Microwave does not assume any liability arising out of the use of any part or documentation.



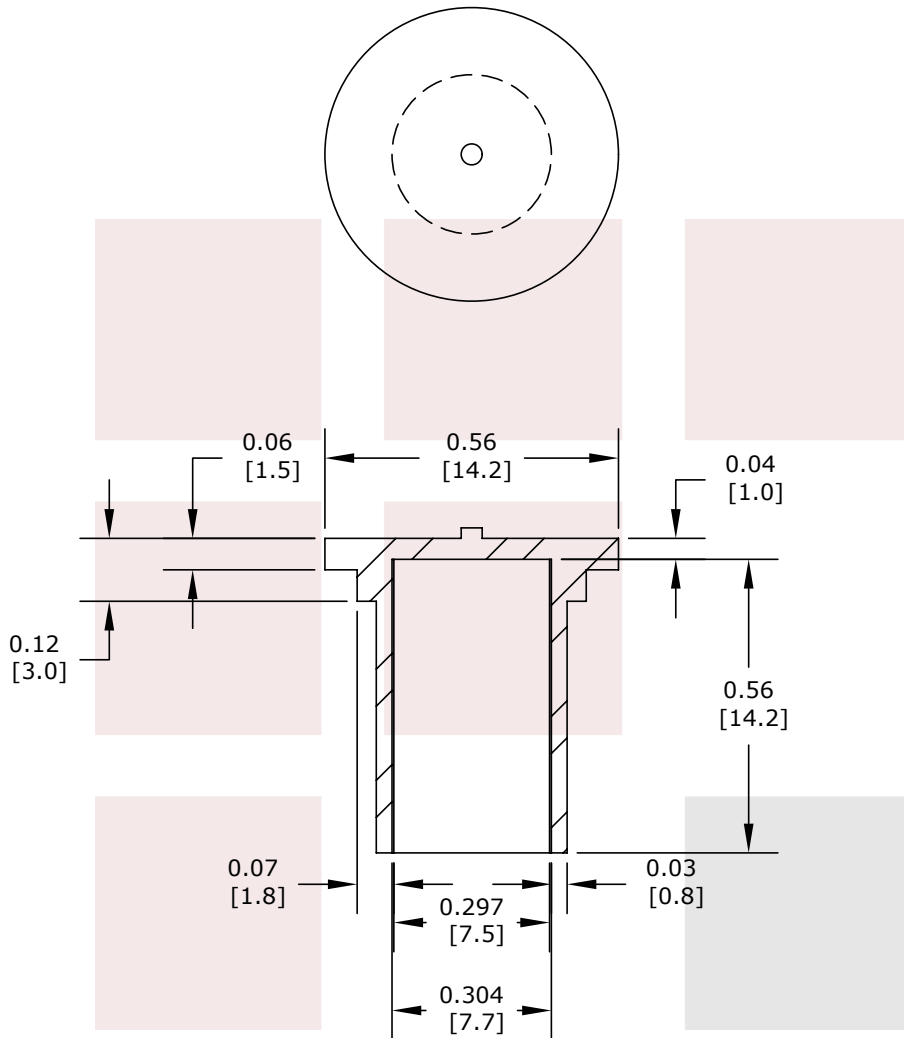
### Features:

- Protects against dust and contaminants
- Protects against physical damage

### Applications:

- General Purpose Laboratory Use
- Test and Measurement

Fairview Microwave  
 1130 Junction Dr. #100  
 Allen, TX 75013  
 Tel: 1-800-715-4396 / (972) 649-6678  
 Fax: (972) 649-6689  
[www.fairviewmicrowave.com](http://www.fairviewmicrowave.com)  
[sales@fairviewmicrowave.com](mailto:sales@fairviewmicrowave.com)



STANDARD TOLERANCES	
.X	±0.2
.XX	±0.1
.XXX	±0.05

\*STANDARD TOLERANCES APPLY ONLY TO DIMENSIONS IN INCHES

<b>FAIRVIEW MICROWAVE INC.</b>		NOTES: 1. UNLESS OTHERWISE SPECIFIED ALL DIMENSIONS ARE NOMINAL. 2. ALL SPECIFICATIONS ARE SUBJECT TO CHANGE WITHOUT NOTICE AT ANY TIME. 3. DIMENSIONS ARE IN INCHES [mm].			
ALLEN, TX 75013 WWW.FAIRVIEWMICROWAVE.COM		DWG NO <b>SC2024</b>		CAGE CODE <b>3FKR5</b>	
TITLE SMA Open Circuit Connector Cap		CAD FILE 041316	SHEET	SCALE N/A	SIZE A 3045