

UHF Male Connector Solder Attachment for RG59BU, RG62, RG71 Cable



SC2220

Configuration

- UHF Male Connector
- 50 Ohms
- Straight Body Geometry
- Connector Interface Types: RG59BU, RG62, RG71

Features

- Operating Frequency of 300 MHz Max.
- Good VSWR of 1.3:1
- Gold Plated Brass Contact
- 30 μ in. minimum contact plating

Applications

- General Purpose Test
- Custom Cable Assemblies

Description

UHF Male Standard Connector Solder Attachment for RG59BU, RG62 and RG71 Cable, part number SC2220, from Fairview Microwave is in-stock and ships same day. This UHF male connector operates up to a maximum frequency of 300 MHz and offers good VSWR of 1.3:1.

Fairview's UHF male connector SC2220 datasheet specifications and outline drawing are shown in this PDF below. Our extensive offering of RF, microwave and millimeter wave connectors allows designers to configure and customize their signal connections however they like. From providing an I/O for a board design to creating a custom cable assembly configuration, Fairview Microwave has a connector solution to meet your needs. Fairview Microwave also has the expertise to build your custom cable assemblies for you and ship them same-day.

Electrical Specifications

Description	Minimum	Typical	Maximum	Units
Frequency Range	DC		300	MHz
VSWR			1.3:1	
Operating Voltage (AC)			500	Vrms
Impedance		50		Ohms

Mechanical Specifications

Size

Length	1.41 in [35.81 mm]
Width	0.7 in [17.78 mm]
Weight	0.047 lbs [21.32 g]

UHF Male Connector Solder Attachment
for RG59BU, RG62, RG71 Cable



SC2220

Material Specifications

Description	Material	Plating
Contact	Brass	Gold 30μ in. minimum
Insulation	PTFE	
Outer Conductor	Brass	Nickel
Body	Brass	Nickel 100μ in. minimum
Coupling Nut	Brass	Nickel 100μ in. minimum

Environmental Specifications

Temperature

Operating Range -55 to +85 deg C

Compliance Certifications (see [product page](#) for current document)

Plotted and Other Data

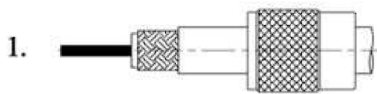
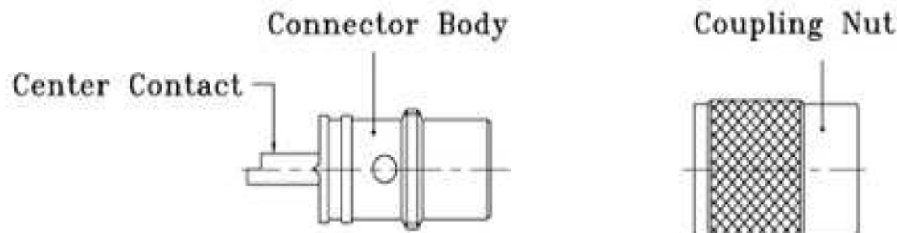
Notes:

UHF Male Connector Solder Attachment
for RG59BU, RG62, RG71 Cable



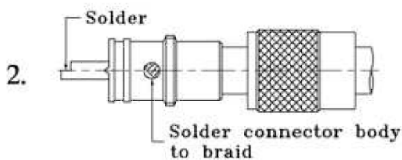
SC2220

Assembly Instruction



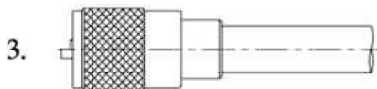
1. Preparation of Cable

- (1) Slide coupling nut onto cable
- (2) Strip cable to recommended dimensions shown in catalogue



2. Soldering Connector Body to Cable Braid

- (1) Screw cable into rear of connector body and tighten until cable jacket rest firmly against connector body.
- (2) Solder connector body to cable braid
- (3) Solder center contact to cable center conductor



3. Finally Assembly

- (1) Screw on coupling nut onto connector body

UHF Male Connector Solder Attachment for RG59BU, RG62, RG71 Cable from Fairview Microwave is in-stock and available to ship same-day. All of our RF/microwave products are available off-the-shelf from our ISO 9001:2008 certified facilities in Lewisville, Texas. Fairview Microwave is RF on-demand.

For additional information on this product, please click the following link: [UHF Male Connector Solder Attachment for RG59BU, RG62, RG71 Cable SC2220](https://www.fairviewmicrowave.com/uhf-male-connector-solder-attachment-for-rg59bu-rg62-rg71-cable-sc2220)

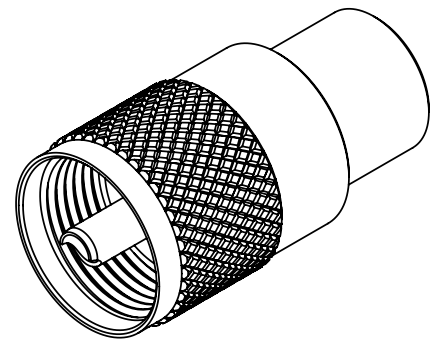
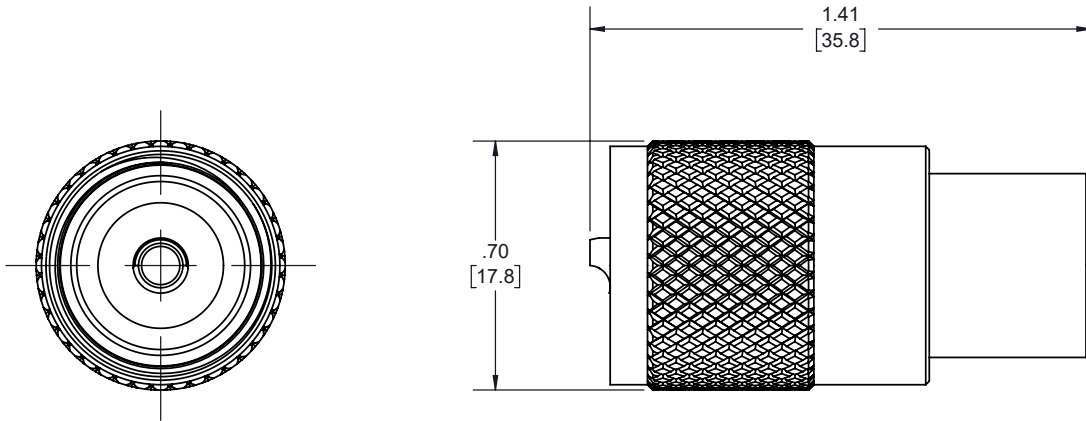
URL: <https://www.fairviewmicrowave.com/uhf-male-rg59bu-rg62-rg71-connector-sc2220-p.aspx>

The information contained within this document is accurate to the best of our knowledge and representative of the part described herein. It may be necessary to make modifications to the part and/or the documentation of the part in order to implement improvements. Fairview Microwave reserves the right to make such changes as required. Unless otherwise stated, all specifications are nominal. Fairview Microwave does not make any representation or warranty regarding the suitability of the part described herein for any particular purpose, and Fairview Microwave does not assume liability arising out of the use of any part or document.

SC2220 CAD Drawing

UHF Male Connector Solder Attachment for RG59BU, RG62, RG71 Cable

REVISIONS			
REV.	DESCRIPTION	DATE	APPROVED
B	PCR SC2220	3/24/2022	A. GANWANI



THESE COMMODITIES, TECHNOLOGY OR SOFTWARE WERE EXPORTED FROM THE UNITED STATES IN ACCORDANCE WITH THE EXPORT ADMINISTRATION REGULATIONS. DIVERSION CONTRARY TO U.S. LAW PROHIBITED.

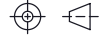


TITLE

UNLESS OTHERWISE SPECIFIED LEADING DIMENSIONS ARE INCHES
DIMENSIONS IN [] ARE MILLIMETERS

TOLERANCES:		CABLE LENGTH (L) TOLERANCES:	
X = ± .2 [5.08]	FRACTIONS ± 1/32	L ≤ 12 [305]	= +1 [25] / -0
.XX = ± .02 [.51]	ANGLES ± 1°	12 [305] < L ≤ 60 [1524]	= +2 [51] / -0
XXX = ± .005 [.13]		60 [1524] < L ≤ 120 [3048]	= +4 [102] / -0
		120 [3048] < L ≤ 300 [7620]	= +6 [152] / -0
		300 [7620] < L	= +5%L / -0

THIRD-ANGLE PROJECTION



THE INFORMATION AND DESIGN IN THIS DOCUMENT IS THE PROPERTY OF FAIRVIEW MICROWAVE CORPORATION. ALL RIGHTS RESERVED.

SHEET 1 OF 2

ALL DIMENSIONS SHOWN ARE FOR REFERENCE ONLY.

SCALE

N/A

SIZE	CAGE CODE	DRAWN BY	ITEM NO.	REV
A	3FKR5	K.DANG	SC2220	B

T-Rev.D