

BRASS SMA ST .141SR DIRECT SOLDER

SC3013

SPECIFICATIONS

ELECTRICAL:

FREQUENCY: 0-18 GHZ
 VSWR 1.2:1 MAX
 IMPEDANCE: 50 OHMS

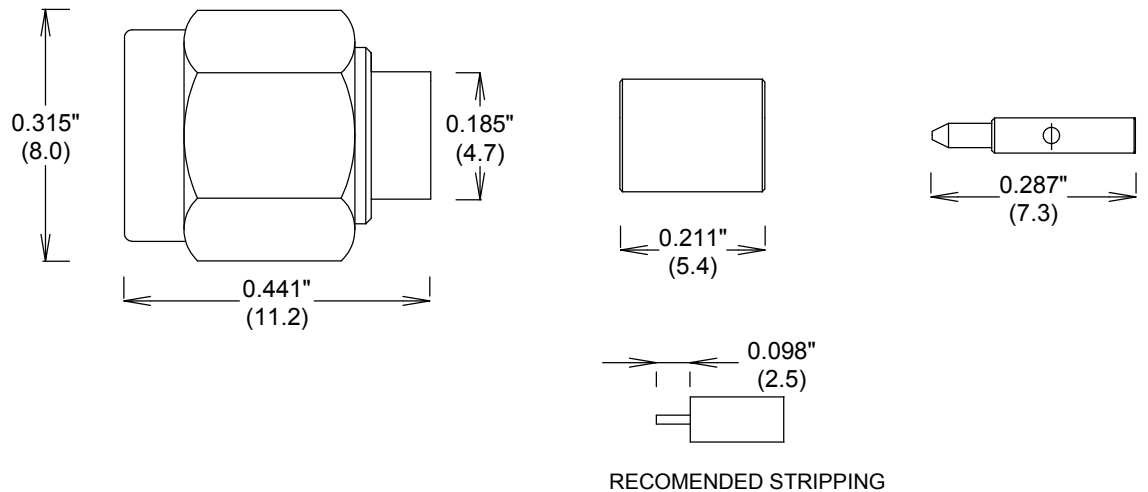
OP. TEMP RANGE: -55°C to +120°C

MECHANICAL:

MATERIAL BODY: NI PLATED BRASS
 CENTER CONTACT: BRASS
 CONTACT PLATING: 30 μ-in
 ROHS COMPLIANT

ASSEMBLY

TRIM CABLE AS SHOWN,
 SOLDER PIN TO CENTER CONDUCTOR,
 INSERT CABLE INTO SMA BODY,
 SOLDER CABLE JACKET WHILE KEEPING END OF
 CABLE FLUSH WITH TEFLON & CHECKING FINAL
 PIN DEPTH



RECOMENDED STRIPPING

FAIRVIEW MICROWAVE INC.

ALLEN, TX 75013 WWW.FAIRVIEWMICROWAVE.COM

TITLE

BRASS SMA ST .141SR DIRECT SOLDER

SIZE	CAGE CODE	DWG NO	REV
A	3FKR5	SC3013	--
SCALE	SHEET		

ALL DIMENSIONS IN inches(MM) Typical