

SMA-F PANEL .141 SR DIRECT SOLDER

SC3531

SPECIFICATIONS

ELECTRICAL:

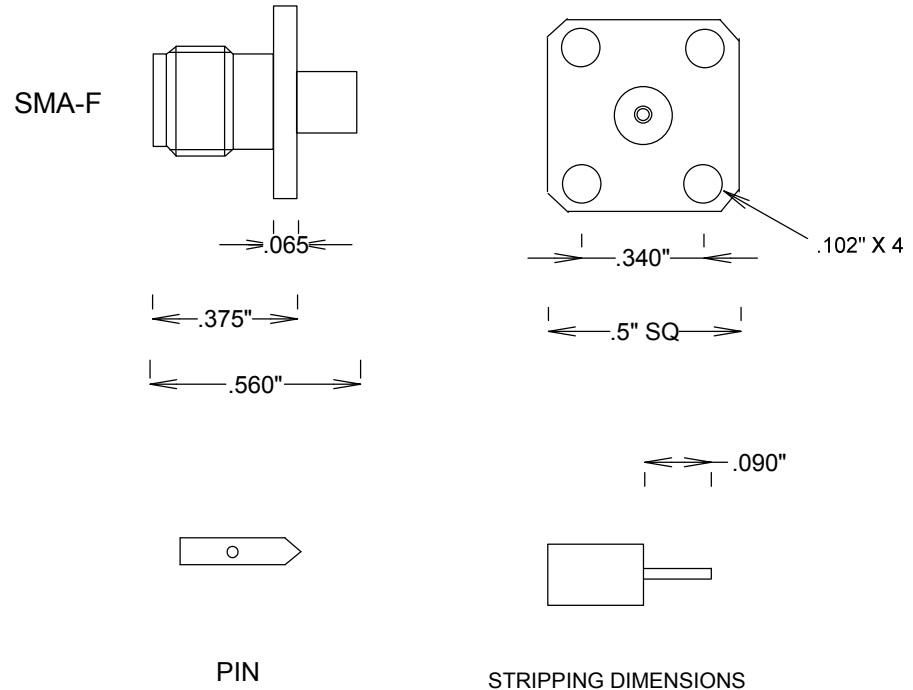
FREQUENCY: 0-18 GHZ
 IMPEDANCE: 50 OHMS

MECHANICAL:

MATERIAL BODY: Au PLATED STAINLESS STEEL
 CENTER CONTACT: BeCu Au PLATED MIL-G-45204
 INSULATOR: TEFLON
 INTERFACE: MIL-STD-883A
 OP. TEMP RANGE: -55°C to +155°C
 ROHS COMPLIANT

ASSEMBLY:

TRIM CABLE AS SHOWN;
 SOLDER ON PIN, LEAVING 15 MIL GAP
 BETWEEN PIN & DIELECTRIC;
 INSERT CABLE INTO BODY KEEPING
 END OF CABLE FLUSH WITH DIELECTRIC;
 SOLDER CABLE JACKET TO BODY



				FAIRVIEW MICROWAVE INC.	
				ALLEN, TX 75013 WWW.FAIRVIEWMICROWAVE.COM	
				TITLE	
				SMA-F PANEL .141 SR DIRECT SOLDER	
SIZE	CAGE CODE	DWG NO	REV		
A	3FKR5	SC3531	--		
SCALE			SHEET		