

# TNC JACK BULKHEAD SOLDER POT

SC4229

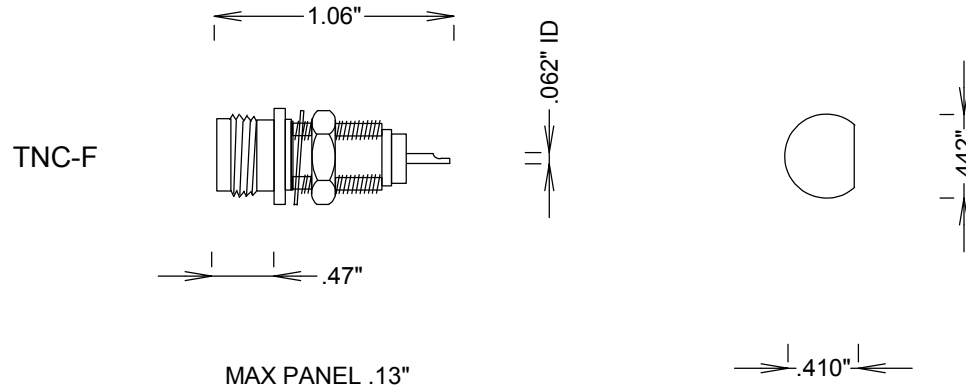
## SPECIFICATIONS

### ELECTRICAL:

FREQUENCY: 0-11 GHZ  
IMPEDANCE: 50 OHMS

### MECHANICAL:

MATERIAL BODY: BRASS NI PLATING  
CENTER CONTACT: BeCu Au PLATED MIL-G-45204  
INSULATOR: TEFLON  
CAPTURED CONTACT  
INTERFACE: MIL-STD-883A  
TNC: MIL-PRF-39012  
OP. TEMP RANGE: -55°C to +165°C  
ROHS COMPLIANT



**FAIRVIEW MICROWAVE INC.**

ALLEN, TX 75013 WWW.FAIRVIEWMICROWAVE.COM

TITLE

**TNC JACK BULKHEAD SOLDER POT**

SIZE	CAGE CODE	DWG NO	REV
<b>A</b>	<b>3FKR5</b>	<b>SC4229</b>	
SCALE	SHEET		