

TNC Female (Jack) Bulkhead Connector For .047 SR Cable IP68 Rated, Clamp/Solder

TNC female bulkhead connector with clamp/solder attachment for .047 SR, part number SC4252, from Fairview Microwave is in-stock and ships same day. This TNC female connector operates up to a maximum frequency of 2 GHz and offers excellent VSWR of 1.25:1. Fairview's SC4252 bulkhead TNC connector enables designers to make external connections on product enclosures, and can be used in a variety of other rack mount and panel mount applications.

Fairview's TNC female bulkhead connector SC4252 datasheet specifications and outline drawing are shown in this PDF below. Our extensive offering of RF, microwave and millimeter wave connectors allows designers to configure and customize their signal connections however they like. From providing an I/O for a board design to creating a custom cable assembly configuration, Fairview Microwave has a connector solution to meet your needs. Fairview Microwave also has the expertise to build your custom cable assemblies for you and ship them same-day.

Electrical Specifications

Description	Min	Typ	Max	Units
Frequency Range	DC		2	GHz
VSWR			1.25:1	

Mechanical Specifications

Size	
Length	1 in [25.4 mm]
Width/Dia.	0.687 in [17.45 mm]
Weight	0.01 lbs [4.54 g]

Material Specifications

Description	Material	Plating
Contact	Beryllium Copper	Gold
Insulation	PTFE	
Outer Conductor	Brass	Nickel
Body	Brass	Nickel

Environmental Specifications

Humidity	IP 68
----------	-------

Compliance Certifications (see [product page](#) for current document)

Plotted and Other Data

Notes:



Configuration:

- TNC Female Connector
- MIL-STD-348
- 50 Ohms
- Straight Body Geometry
- .047 SR Interface Type
- Clamp/Solder Attachment
- Bulkhead
- 5/8 in Hex

Features:

- Operating Frequency of 2 GHz Max.
- Excellent VSWR of 1.25:1
- Gold Plated Beryllium Copper Contact

Applications:

- General Purpose Test
- Rack and Panel Mount Applications
- Custom Cable Assemblies

Fairview Microwave
 301 Leora Ln., Suite 100
 Lewisville, TX 75056
 Tel: 1-800-715-4396 / (972) 649-6678
 Fax: (972) 649-6689
www.fairviewmicrowave.com
sales@fairviewmicrowave.com

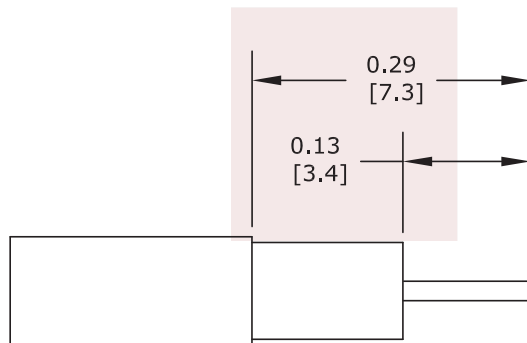
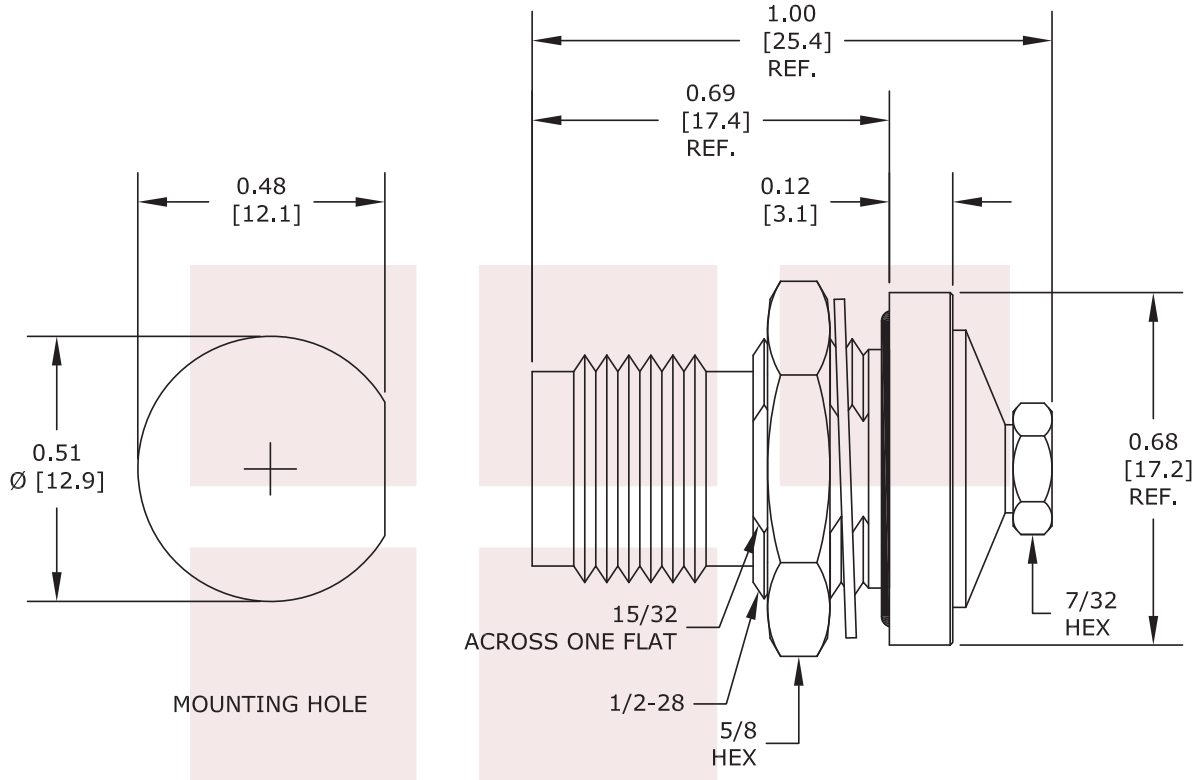
TNC Female (Jack) Bulkhead Connector For .047 SR Cable IP68 Rated, Clamp/Solder from Fairview Microwave is in-stock and available to ship same-day. All of our RF/microwave products are available off-the-shelf from our ISO 9001:2008 certified facilities in Lewisville, Texas. Fairview Microwave is RF on-demand.

For additional information on this product, please click the following link: [TNC Female \(Jack\) Bulkhead Connector For .047 SR Cable IP68 Rated, Clamp/Solder SC4252](#)

URL: <https://www.fairviewmicrowave.com/tnc-female-standard-.047-sr-connector-sc4252-p.aspx>

The information contained in this document is accurate to the best of our knowledge and representative of the part described herein. It may be necessary to make modifications to the part and/or the documentation of the part, in order to implement improvements. Fairview Microwave reserves the right to make such changes as required. Unless otherwise stated, all specifications are nominal. Fairview Microwave does not make any representation or warranty regarding the suitability of the part described herein for any particular purpose, and Fairview Microwave does not assume any liability arising out of the use of any part or documentation.





ASSEMBLY PROCEDURES

1. STRIP CABLE AS SHOWN
2. SLIDE BACK NUT AND SOLDER BARREL OVER CABLE
3. PLACE THE INSULATOR DISC (TEFLON) ONTO THE CENTER CONDUCTOR, SOLDER BULLET CONTACT
4. INSERT CABLE ASSEMBLY INTO REAR OF CONNECTOR, THREAD BACK NUT UNTIL BOTTOMED

STRIPPING DIMENSIONS

<p>Fairview Microwave an INFINIT[®] brand</p>		<p>NOTES: 1. UNLESS OTHERWISE SPECIFIED ALL DIMENSIONS ARE NOMINAL. 2. ALL SPECIFICATIONS ARE SUBJECT TO CHANGE WITHOUT NOTICE AT ANY TIME. 3. DIMENSIONS ARE IN INCHES [mm].</p>			
<p>TITLE TNC Female (Jack) Bulkhead Connector For .047 SR Cable IP68 Rated, Clamp/Solder</p>		<p>DWG NO SC4252</p>		<p>CAGE CODE 3FKR5</p>	
<p>CAD FILE 082214 SHEET</p>		<p>SCALE N/A</p>		<p>SIZE A 2233</p>	