

TNC Male Connector Crimp/Solder Attachment for RG316 Cable

TNC male connector with crimp/solder attachment for RG316, part number SC4261, from Fairview Microwave is in-stock and ships same day. This TNC male connector operates up to a maximum frequency of 3 GHz and offers excellent VSWR of 1.2:1.

Fairview's TNC male connector SC4261 datasheet specifications and outline drawing are shown in this PDF below. Our extensive offering of RF, microwave and millimeter wave connectors allows designers to configure and customize their signal connections however they like. From providing an I/O for a board design to creating a custom cable assembly configuration, Fairview Microwave has a connector solution to meet your needs. Fairview Microwave also has the expertise to build your custom cable assemblies for you and ship them same-day.

Electrical Specifications

Description	Min	Typ	Max	Units
Frequency Range	DC		3	GHz
VSWR			1.2:1	

Mechanical Specifications

Size	
Length	0.917 in [23.29 mm]
Width/Dia.	0.571 in [14.50 mm]
Height	0.571 in [14.5 mm]
Weight	0.02734 lbs [12.4 g]

Material Specifications

Description	Material	Plating
Contact	Brass	Gold 50 μ minimum
Insulation	PTFE	
Outer Conductor	Brass	Nickel
Body	Brass	Nickel 100 μ minimum

Environmental Specifications

Temperature

Operating Range -65 to +165 deg C

Compliance Certifications (see [product page](#) for current document)

Plotted and Other Data

Notes:



Configuration:

- TNC Male Connector
- 50 Ohms
- Straight Body Geometry
- RG316 Interface Type
- Crimp/Solder Attachment

Features:

- Operating Frequency of 3 GHz Max.
- Excellent VSWR of 1.2:1
- Gold Plated Brass Contact
- 50 μ minimum contact plating

Applications:

- General Purpose Test
- Custom Cable Assemblies

Fairview Microwave
 301 Leora Ln., Suite 100
 Lewisville, TX 75056
 Tel: 1-800-715-4396 / (972) 649-6678
 Fax: (972) 649-6689
www.fairviewmicrowave.com
sales@fairviewmicrowave.com

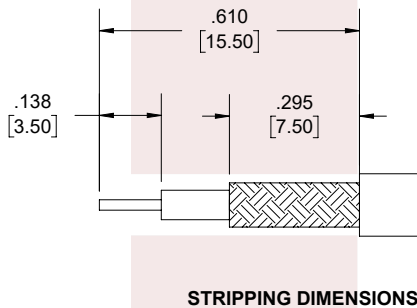
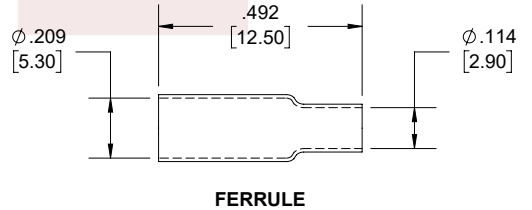
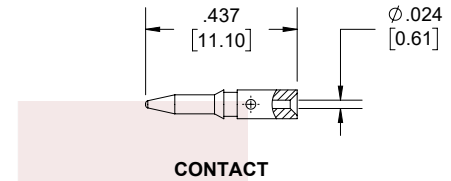
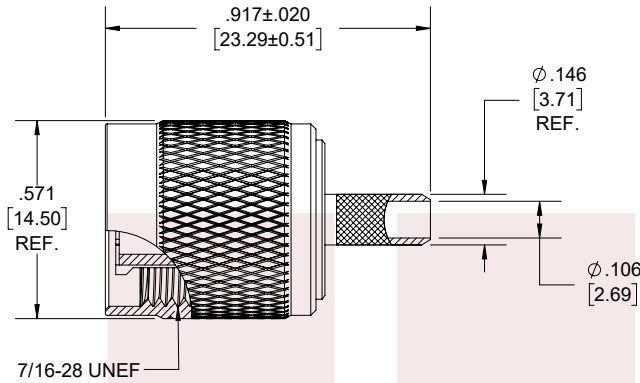
TNC Male Connector Crimp/Solder Attachment for RG316 Cable from Fairview Microwave is in-stock and available to ship same-day. All of our RF/microwave products are available off-the-shelf from our ISO 9001:2008 certified facilities in Allen, Texas. Fairview Microwave is RF on-demand.

For additional information on this product, please click the following link: [TNC Male Connector Crimp/Solder Attachment for RG316 Cable SC4261](#)

URL: <https://www.fairviewmicrowave.com/tnc-male-standard-rg316-connector-sc4261-p.aspx>

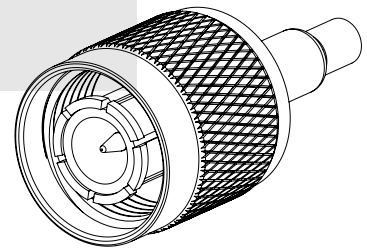
The information contained in this document is accurate to the best of our knowledge and representative of the part described herein. It may be necessary to make modifications to the part and/or the documentation of the part, in order to implement improvements. Fairview Microwave reserves the right to make such changes as required. Unless otherwise stated, all specifications are nominal. Fairview Microwave does not make any representation or warranty regarding the suitability of the part described herein for any particular purpose, and Fairview Microwave does not assume any liability arising out of the use of any part or documentation.





NOTES:

1. CABLE ATTACHMENT:
 - OUTER: CRIMP.
 - INNER: SOLDER/CRIMP.
2. CRIMP SIZE REQUIRED:
 - FERRULE: .178 [4.52] HEX. CRIMP TOOL.
 - CONTACT: .068 [1.73] HEX. CRIMP TOOL



STANDARD TOLERANCES

- .X ±0.2
- .XX ±0.01
- .XXX ±0.005

*STANDARD TOLERANCES APPLY ONLY TO DIMENSIONS IN INCHES

<p>Fairview Microwave an INFINIT[®] brand</p>		<p>NOTES: 1. UNLESS OTHERWISE SPECIFIED ALL DIMENSIONS ARE NOMINAL. 2. ALL SPECIFICATIONS ARE SUBJECT TO CHANGE WITHOUT NOTICE AT ANY TIME. 3. DIMENSIONS ARE IN INCHES [mm].</p>	
<p>TITLE TNC Male Connector Crimp/Solder Attachment for RG316 Cable</p>		<p>DWG NO SC4261</p>	<p>CAGE CODE 3FKR5</p>
<p>CAD FILE 05/09/18</p>	<p>SHEET 1 OF 1</p>	<p>SCALE N/A</p>	<p>SIZE A</p>
		<p>7361</p>	